

Sonosite PX Stand and Accessory Assembly Instructions

Manufacturer	EU Authorized Representative	UK Responsible Person	Australia Sponsor
FUJIFILM SonoSite, Inc. 21919 30th Drive SE Bothell, WA 98021 USA T: 1-888-482-9449 or 1-425-951-1200 F: 1-425-951-1201	FUJIFILM SonoSite B.V. Joop Geesinkweg 140 1114 AB Amsterdam, The Netherlands	FUJIFILM Healthcare UK Limited Fujifilm House Whitbread Way Bedford MK42 0ZE United Kingdom	FUJIFILM SonoSite Australasia Pty Ltd 114 Old Pittwater Road BROOKVALE, NSW, 2100 Australia



WARNING

To avoid the risk of a shock hazard, do not plug the power cord into a multiple portable socket outlet (MPSO) or into an extension cord.



CAUTION

- To avoid damaging the system, use only accessories and peripherals recommended by FUJIFILM Sonosite.
- Federal (United States) law restricts this device to sale by or on the order of a physician.



NOTE

For more information on how to use the system, refer to the system user guide or www.sonosite.com.

SONOSITE is a registered trademark of FUJIFILM SonoSite, Inc., in various jurisdictions. FUJIFILM and FUJIFILM VALUE FROM INNOVATION are registered trademarks of FUJIFILM Corporation in various jurisdictions. All other trademarks are the property of their respective owners.

Patent: www.sonosite.com/patents



P21940-06

Published Feb 4, 2026

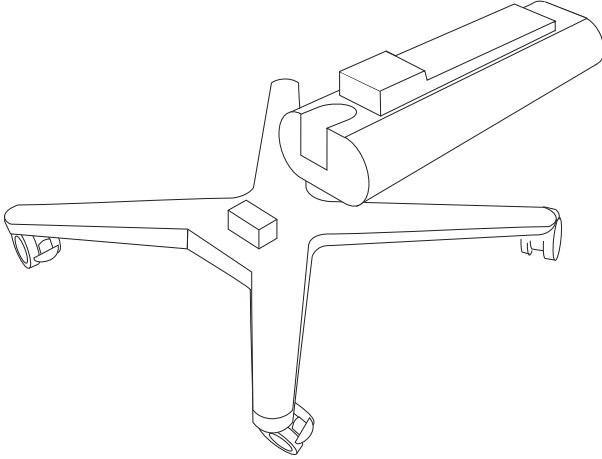
Copyright © 2026 FUJIFILM SonoSite, Inc. All rights reserved.

Table of Contents

Inside the boxes	1
Remove packaging	5
Attach the storage tray and printer	7
Connect the stand battery	10
Install covers over power receptacles	12
Attach the stand accessories	13
Attach the cable management system	15
Raise the column	16
Install the stand head	17
Install the system batteries	19
Docking the system to the stand	20
Connect the stand to power	22

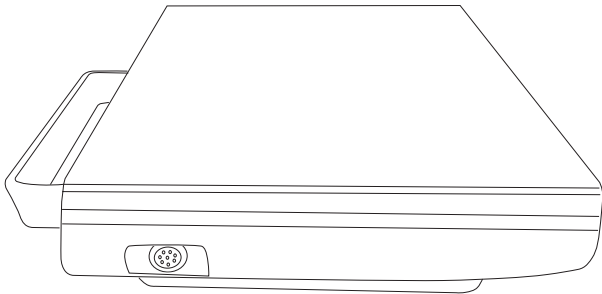
Inside the boxes

Main box



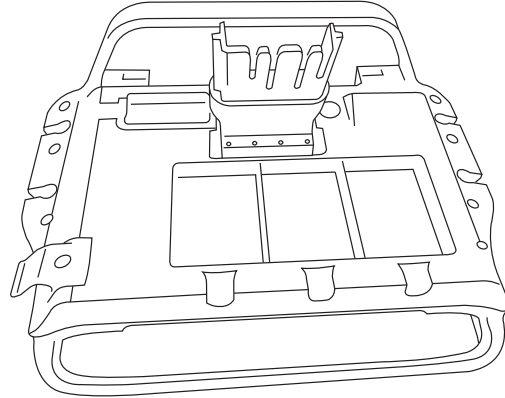
Column and base with battery pack

System box

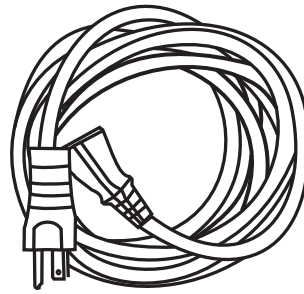


System

Stand head box

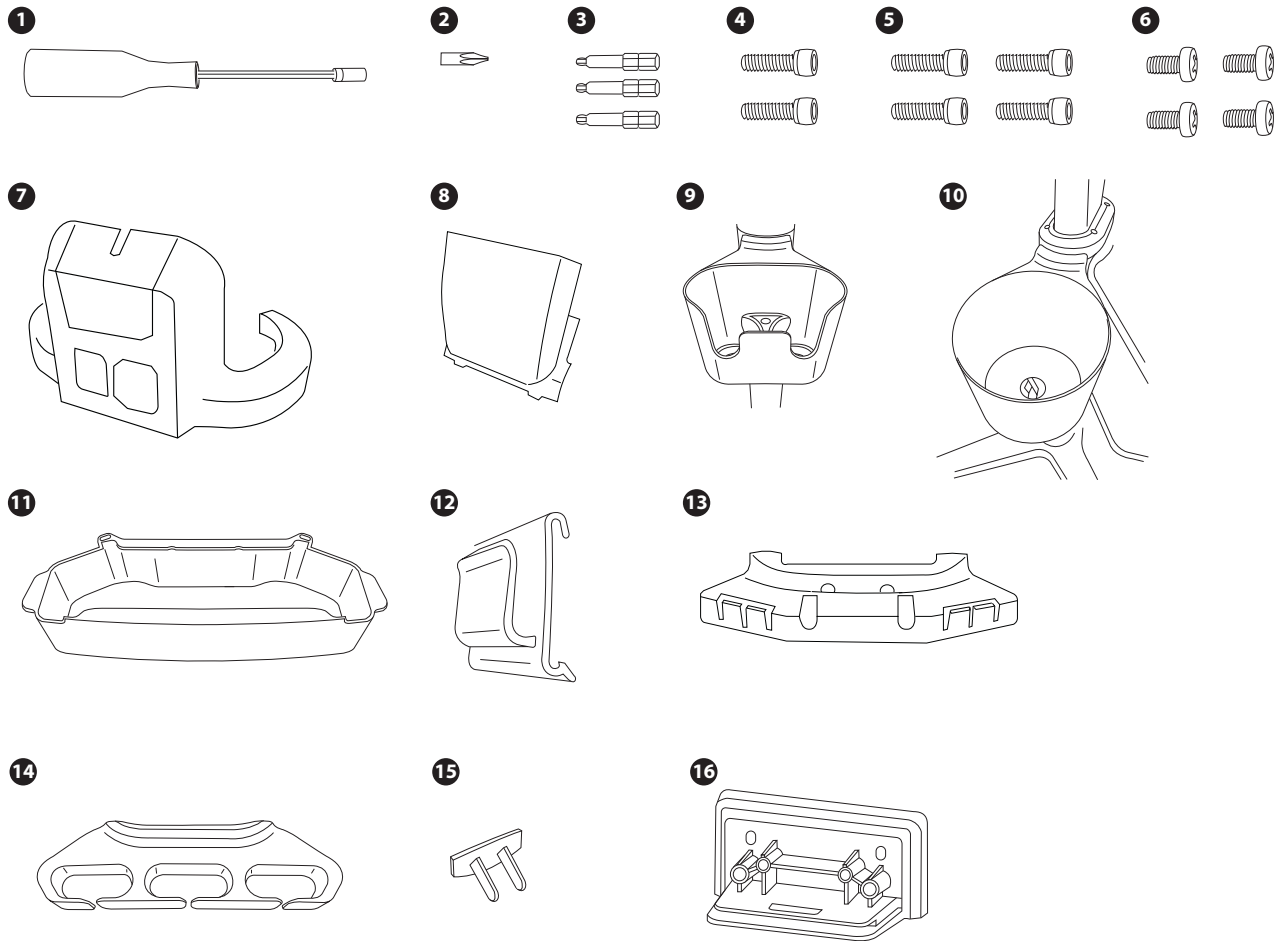


Stand head



Power cord

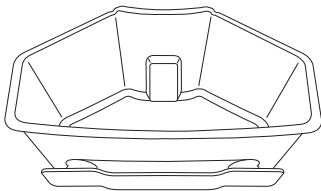
Kit 1



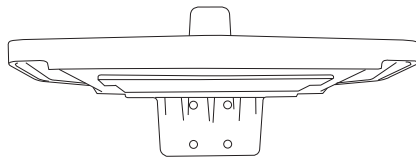
1 Magnetic bit driver	9 Gel bottle holder
2 #1 Phillips bit	10 Wipe holder
3 3 mm, 4 mm, and 5 mm hex bits (1 each)	11 Lockable storage drawer
4 M4 x 20 mm hex-head screws (2)	12 Power cord wrap hook
5 M6 x 18 mm hex-head screws (4)	13 Cable management system mounting bracket
6 M3 x 8 mm Phillips-head screws (4)	14 Cable management system cover
7 Rear base cover	15 Outlet cover
8 Bottom cover	16 Cable stay mount

Kit 2

1



2

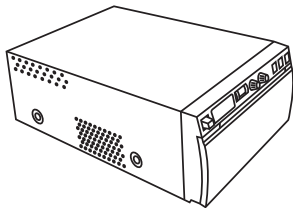


1 Storage container with power cord wrap

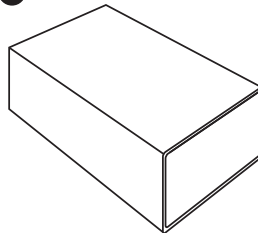
2 Storage tray

Printer box (optional)

1



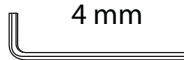
2



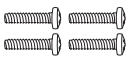
3



4



5



1 Printer and user documentation

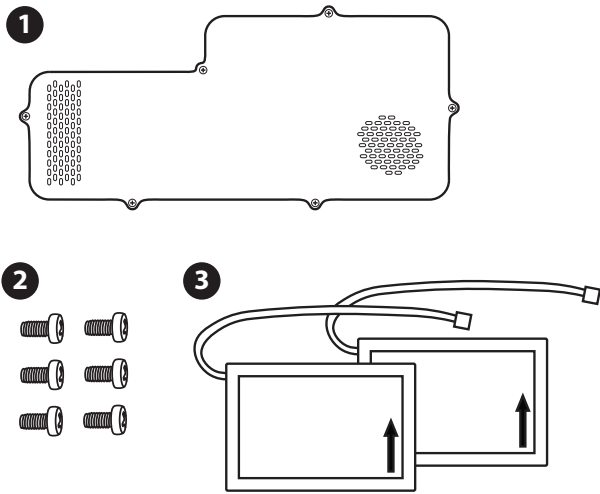
4 Hex wrench

2 Printer mounting bracket and box

5 M6 x 12 mm hex-head screws (4)

3 Prying tool

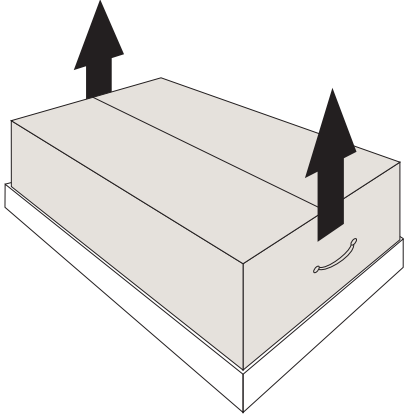
System battery



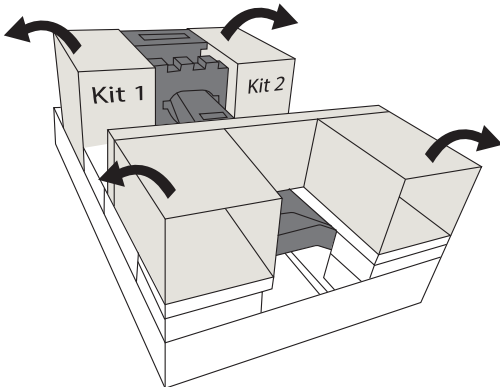
- | | |
|----------------------------------|---------------------------|
| 1 System battery cover | 3 System batteries |
| 2 Screws (taped to cover) | |

Remove packaging

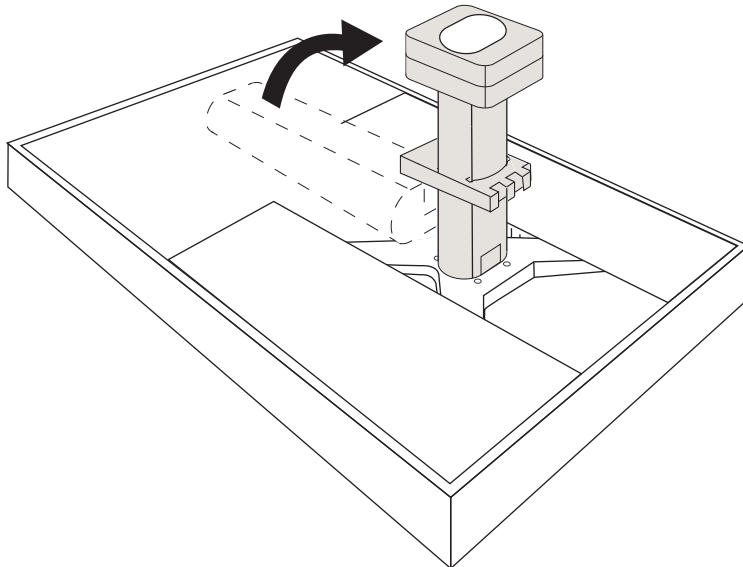
1. Remove the upper part of the stand box.



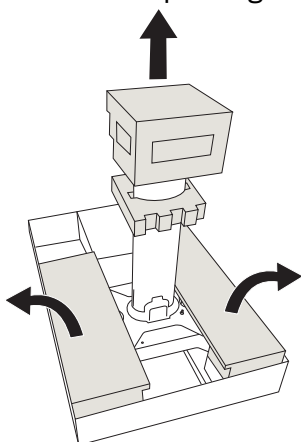
2. Unpack the inner boxes and remove the packing materials.



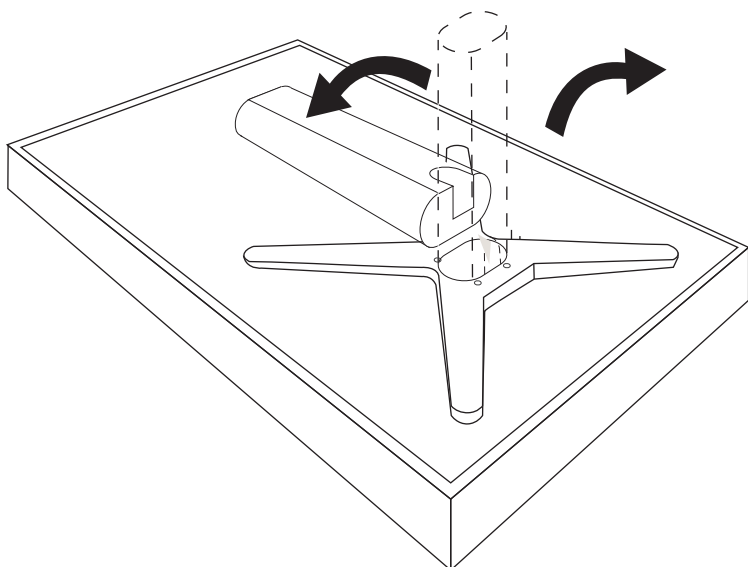
3. Raise the column upright.



4. Remove the packing foam from on and around the stand.

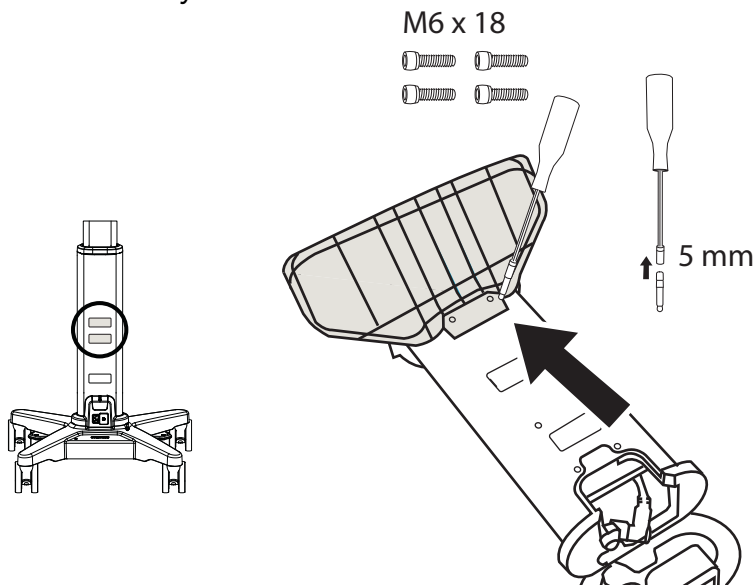


5. Tilt the column back down and lift the stand from the box.

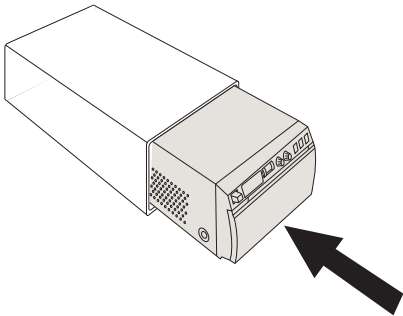


Attach the storage tray and printer

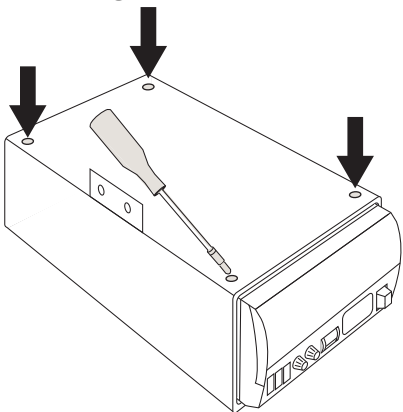
1. Insert the 5 mm hex bit into the bit driver and use the four hex-head 18 mm long screws to attach the tray to the back of the stand column.



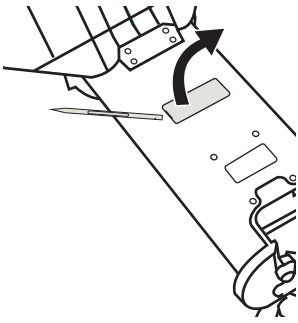
2. Slide the printer into the mounting box.



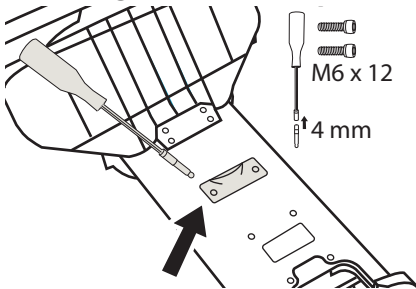
3. Use the bit driver with the #1 Phillips bit to tighten the four screws on the bottom of the mounting box.



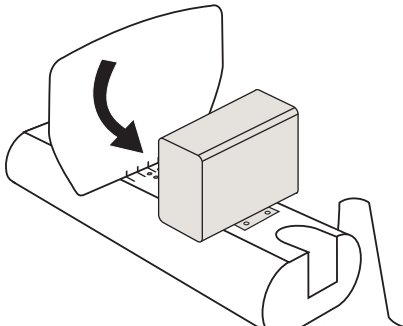
4. Remove the cover on the stand column.



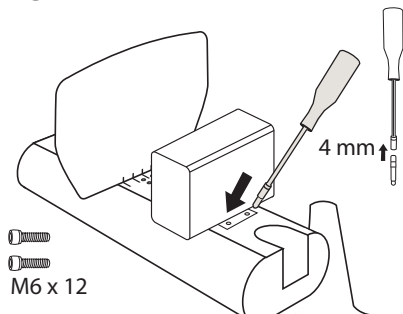
5. Use the bit driver with the 4 mm bit and the hex-head 18 mm screws to attach the printer mounting bracket to the stand.



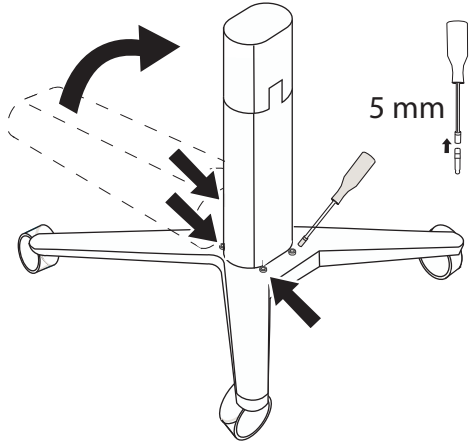
6. Slide the lip of the mounting box down onto the mounting bracket.



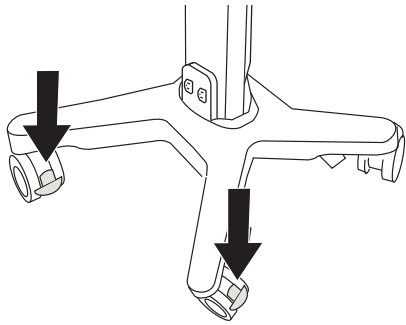
7. Tighten the screws located under the printer.



8. Raise the column and use the bit driver with the 5 mm bit to tighten the four screws on the base of the column.



9. Lock two wheels.

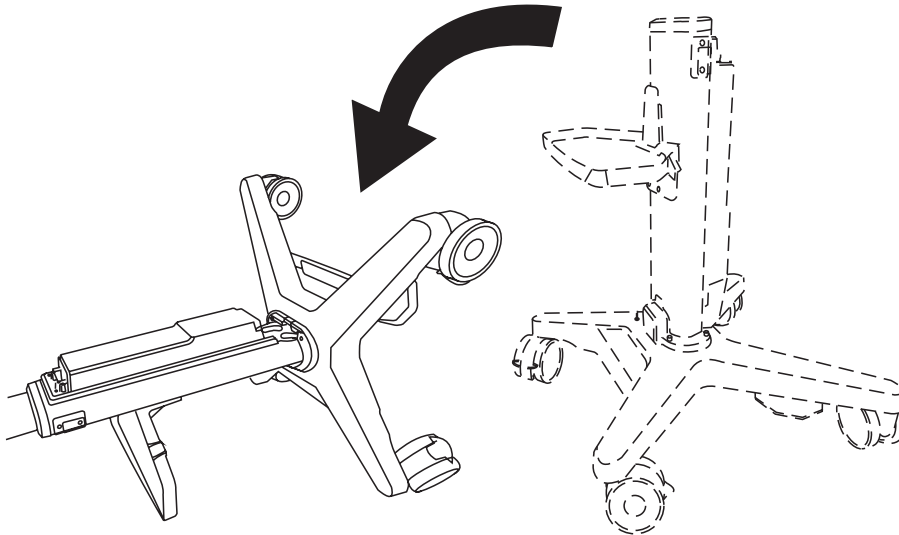


Connect the stand battery

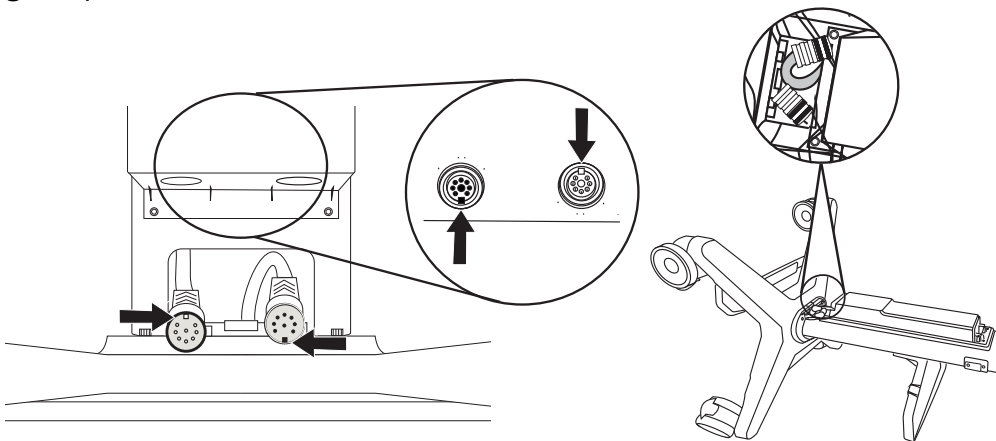


One option to make installation easier is to lay the stand down. To do this, first lock the rear wheels, and then tilt the stand down.

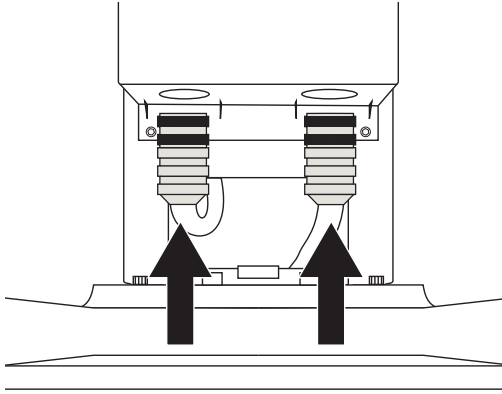
1. (Optional) Tilt the stand down so it is resting on the tray or the column.



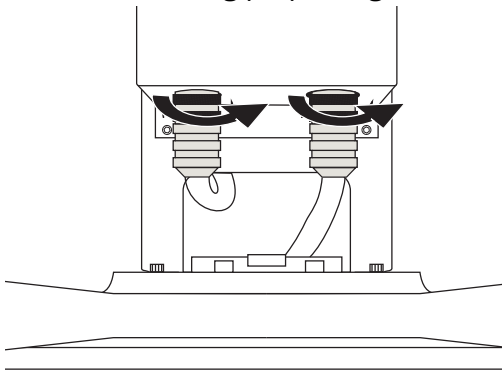
2. Align the cable connectors with the connectors on the bottom of the battery pack using the guide pins and notches. Make sure to orient the connectors as shown.



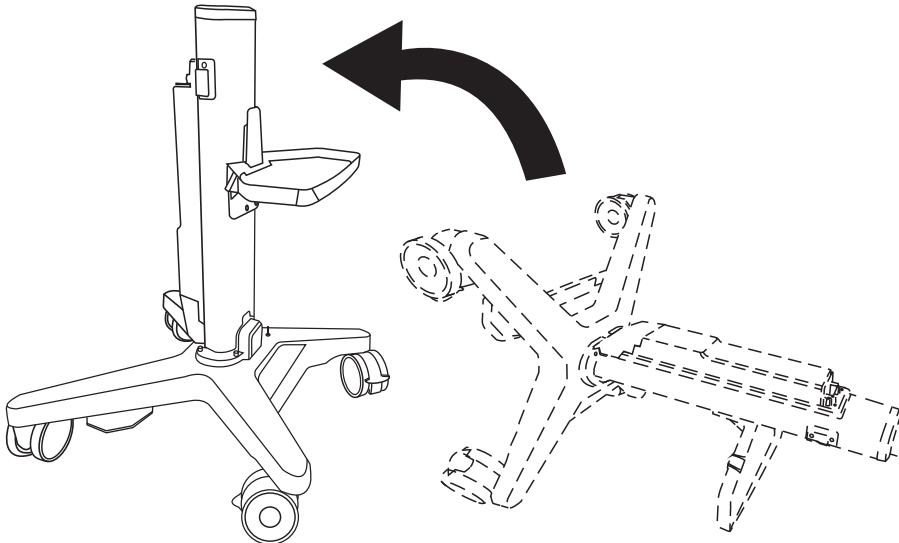
3. Firmly push the cable connectors into place. Once inserted, do not rotate the connector assemblies or you may damage the guide pins.



4. While maintaining proper alignment of the connectors, screw the connector collars to tighten.

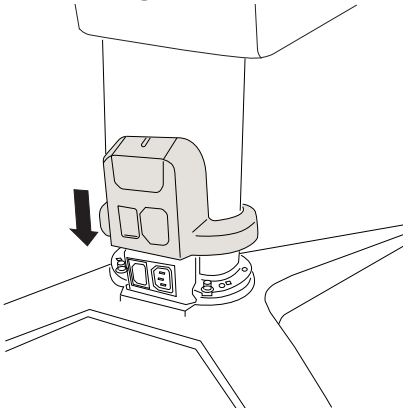


5. If the stand was lying down, tilt the stand back up.

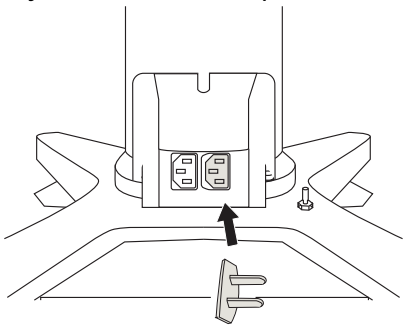


Install covers over power receptacles

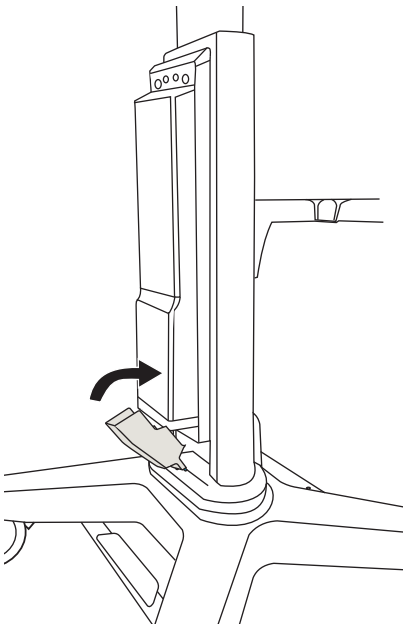
1. Fit the rear base cover around the stand column above the power receptacles, then press the cover straight down with equal pressure on both sides until it snaps into place.



2. If you do not have a printer, cover the printer power outlet.

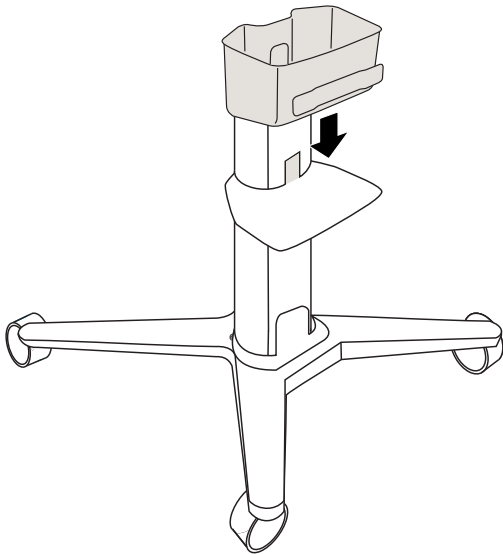


3. Install the cover at the bottom of the battery.

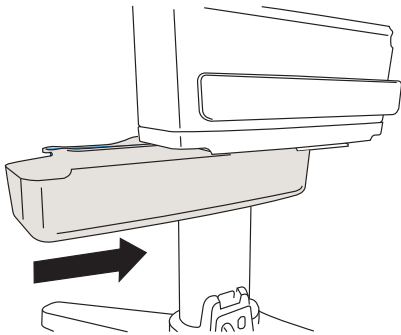


Attach the stand accessories

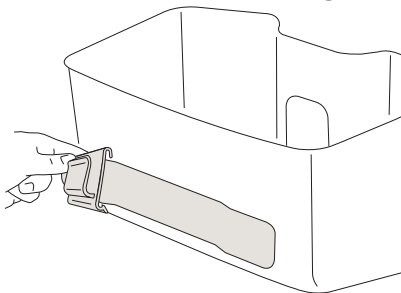
1. Slide the storage container down over the tongue of the storage tray until it is resting on the tray.



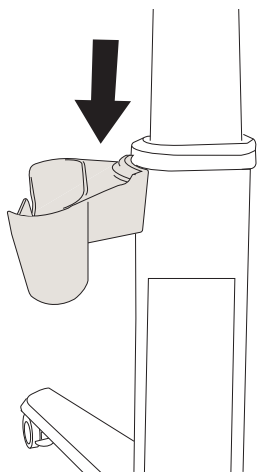
2. Slide the drawer into the slots on the underside of the tray.



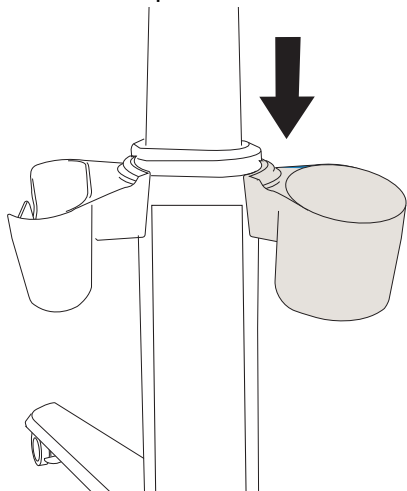
3. Slip the hook over the edge of the cord wrap on the front of the storage container.



- Slide the gel bottle holder down onto one of the mounting brackets on either side of the column.

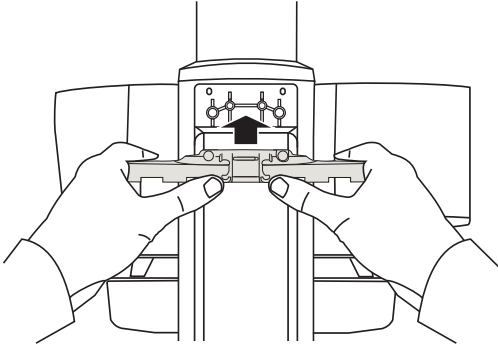


- Slide the wipe holder down onto one of the mounting brackets on either side of the column.

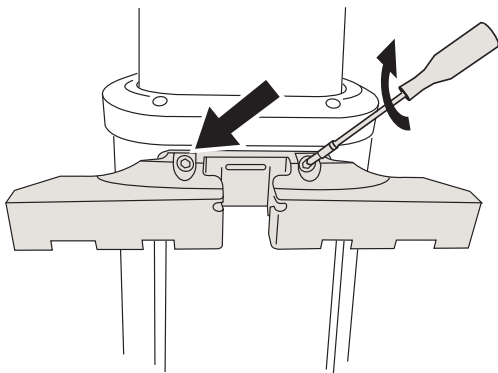


Attach the cable management system

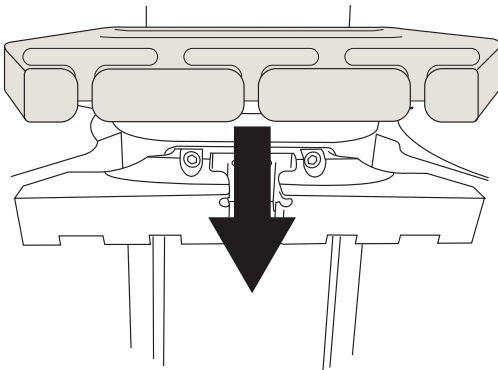
1. Snap the cable management bracket into position on top of the battery pack.



2. Attach the cable management bracket to the column using the bit driver with the Phillips bit and the two 8 mm screws.

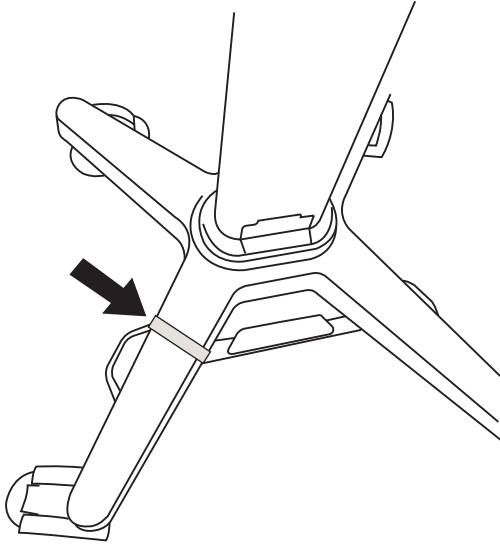


3. Slide the cable management cover down over the top of the cable management bracket until it snaps into place.

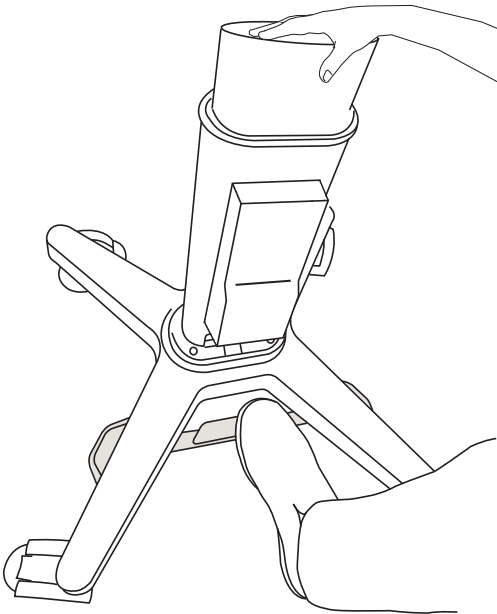


Raise the column

1. Remove the hook and loop shipping strap that is immobilizing the foot pedal.

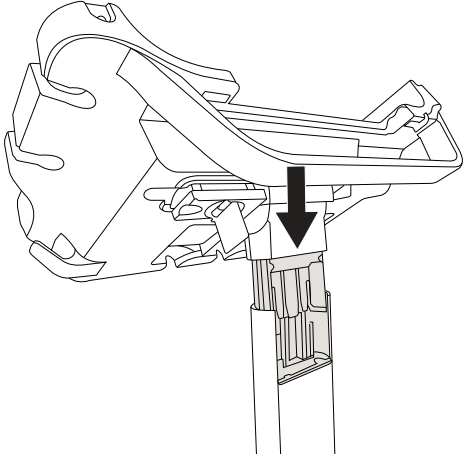


2. Place a hand on top of the platform to prevent it from rising too quickly. Press the foot pedal and raise the inner column partway.

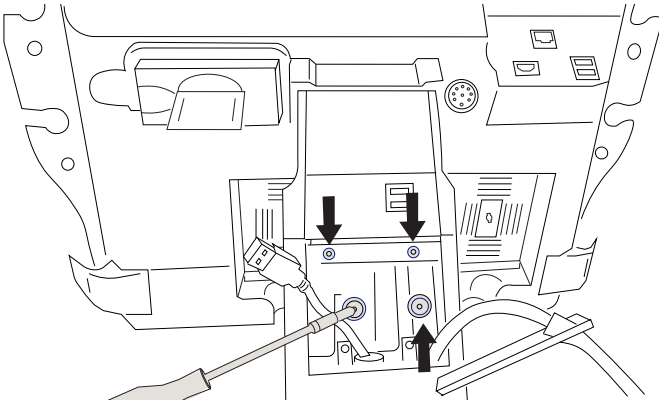


Install the stand head

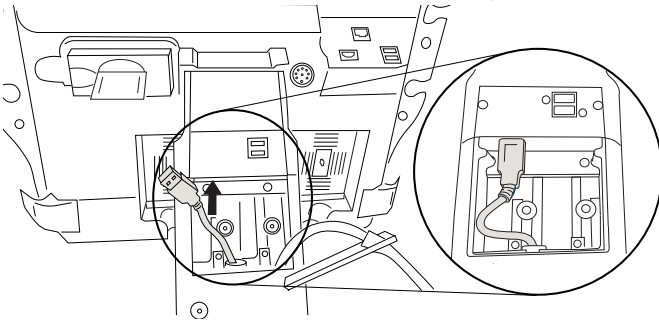
1. Insert the stand head pedestal onto the inner stand column.



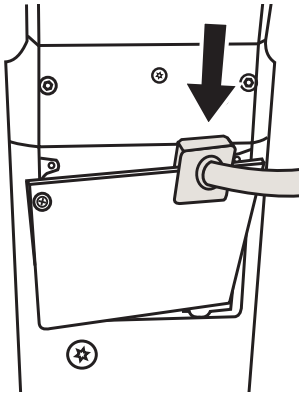
2. Use the bit driver with the 4 mm bit to tighten the four screws on the stand head.



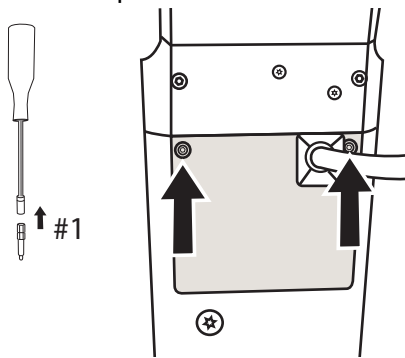
3. Connect the USB cable in the inner column to the USB port inside the stand head. Be certain that the USB cable is oriented correctly before pushing it in.



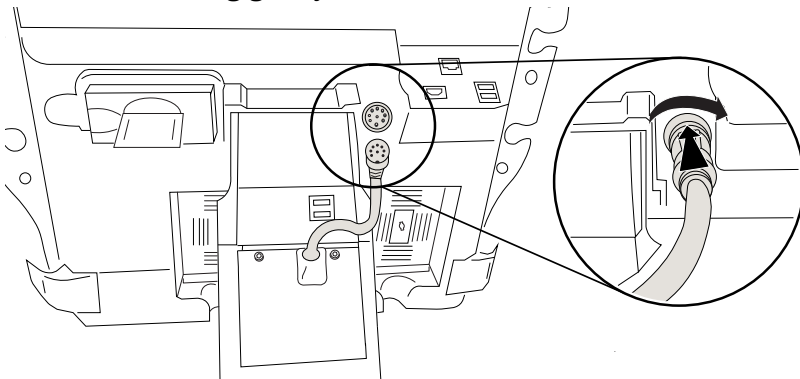
4. Slide the power cable grommet into the column cover.



5. Attach the column cover to the stand by tightening the two M3 screws with the bit driver and the Phillips bit.

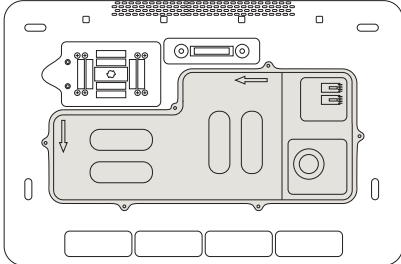


6. Connect the column power cable to the stand head by pushing it into place and screwing it into the connector. Tug gently to make sure it is secure.

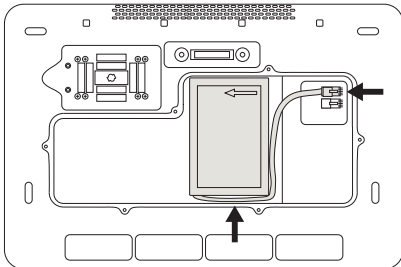


Install the system batteries

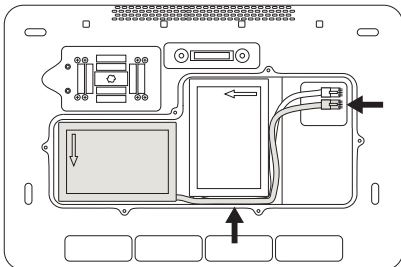
1. Unpack the system or engine and place it down on a flat surface. Access the battery compartment.



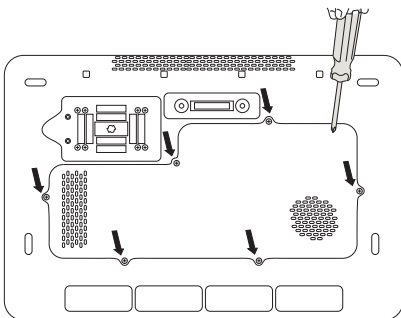
2. Place one of the batteries in the compartment as shown, then plug its cable into the connector. Align the arrow on the battery with the arrow in the compartment.



3. Place the other battery in the compartment as shown, then plug its cable into the connector. Align the arrow on the battery with the arrow in the compartment. Make sure both the cables are placed fully within the compartment.

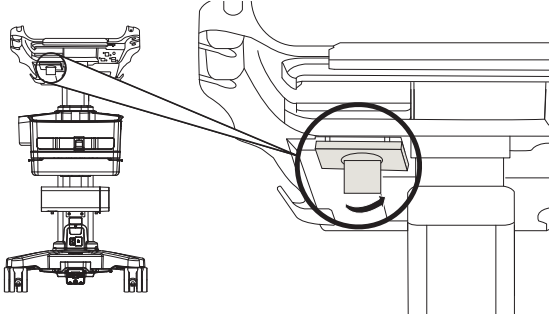


4. Attach the battery compartment cover with a Phillips screwdriver and the screws taped to the cover.

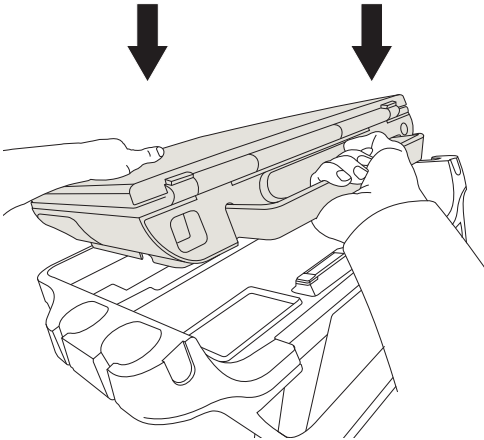


Docking the system to the stand

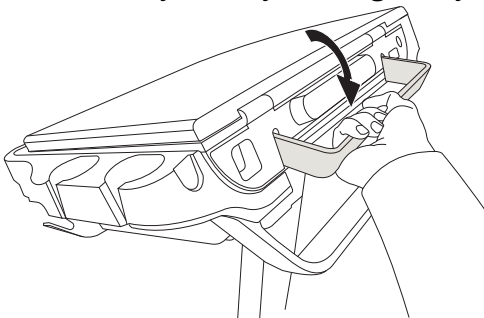
1. Make sure that the connector located on the bottom of the Triple Transducer Connect (TTC) is loose by pulling the latch down then rotating it.



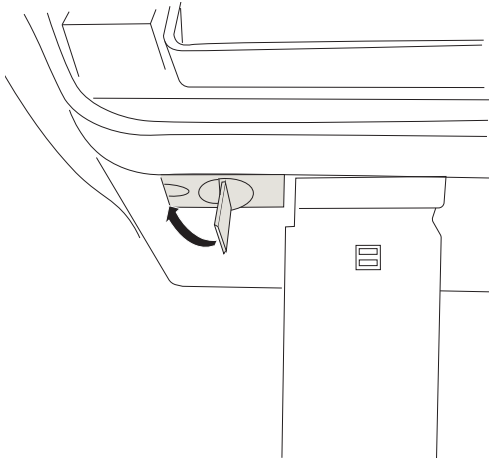
2. Dock the system to the stand head or platform.



3. Secure the system by rotating the system handle down until it clicks.

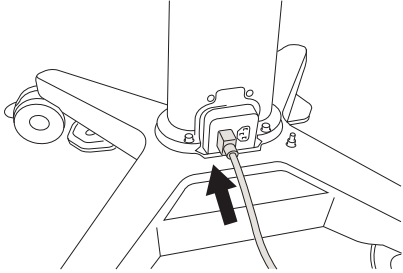


4. Tighten the connection between the system and the TTC by pushing the connector back into place, rotating the latch in the opposite direction, then pressing it up.

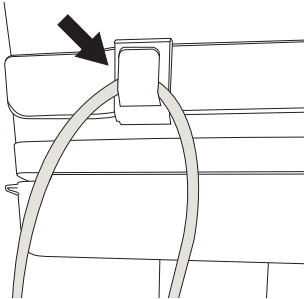


Connect the stand to power

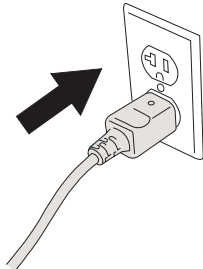
1. Connect AC power cord from the system box to the base of the stand.



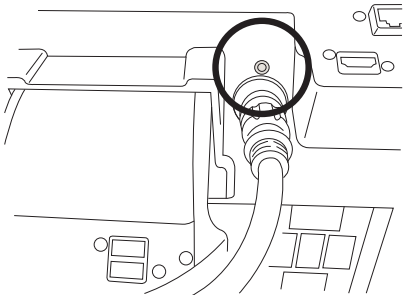
2. Run the AC power cord through the cord clip on the back of the storage tray.



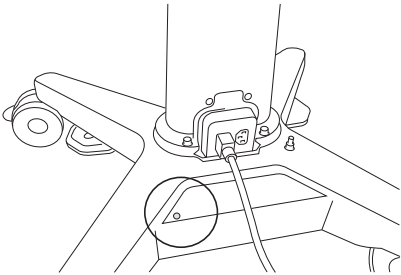
3. Connect the AC power cord to a hospital-grade AC mains outlet.



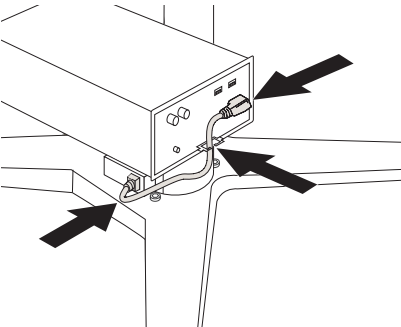
4. Make sure that the power status light on the rear of the stand head is on.



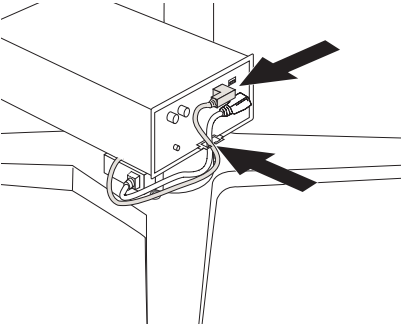
5. Make sure that the power status light on the base of the stand is on.



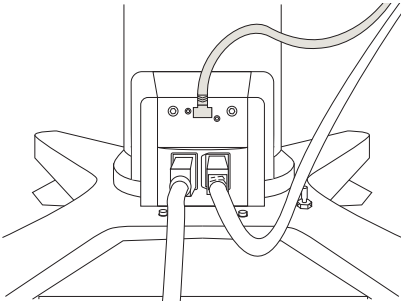
6. Connect the AC power cable to the printer, run the cable through the cable holder, and plug the cable into the stand.



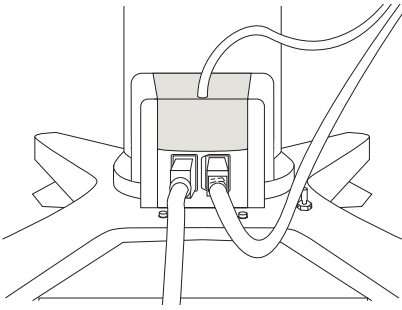
7. Connect the USB cable to the printer, and run the cable through the cable holder.



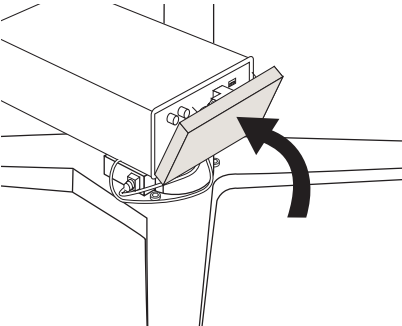
8. Plug the USB cable into the base of the stand.



9. Install the cover over the USB connection.



10. Attach the printer cover.



11. Allow the system to charge for six hours before using. This ensures the best battery life and user experience. The power status light will indicate a solid blue when fully charged.



FUJIFILM
SONOSITE

P21940-06

