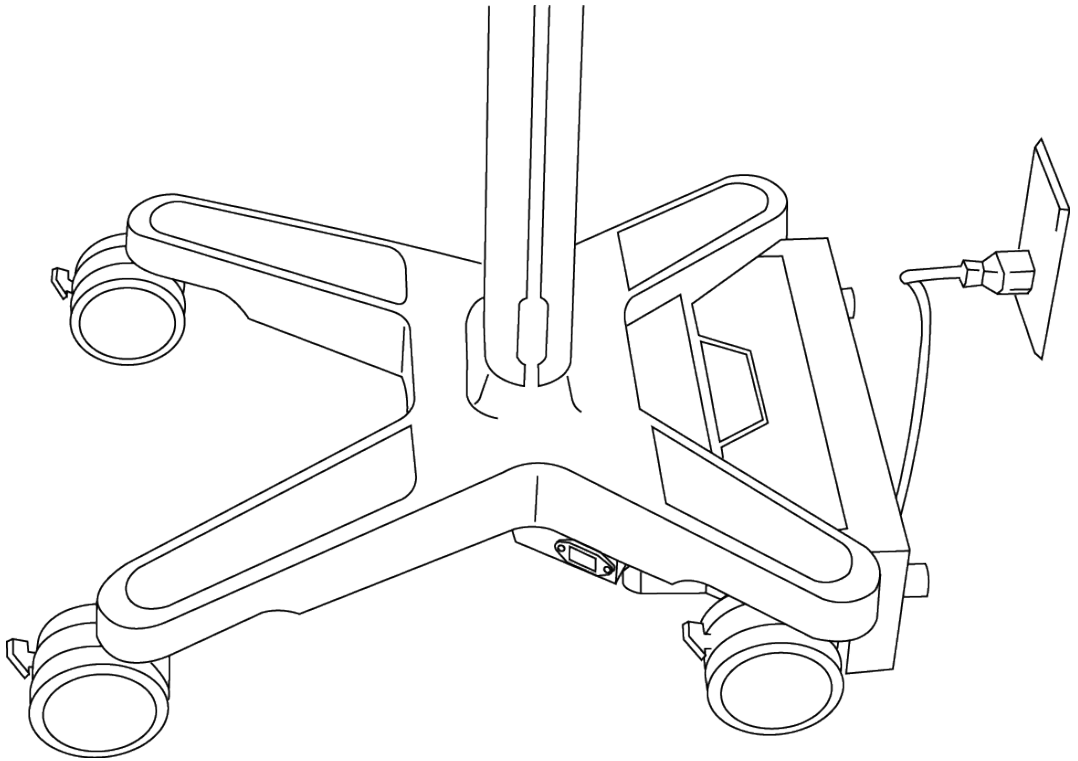

PowerPark



User Guide

Manufacturer

FUJIFILM SonoSite, Inc.
21919 30th Drive SE
Bothell, WA 98021 USA
T: +1-888-482-9449 or
+1-425-951-1200
F: 1-425-951-1201

EC Authorized Representative

FUJIFILM SonoSite B.V.
Joop Geesinkweg 140
1114 AB Amsterdam,
The Netherlands

Australia Sponsor

FUJIFILM SonoSite Australasia Pty Ltd
114 Old Pittwater Road
BROOKVALE, NSW, 2100
Australia

Caution

United States federal law restricts this device to sale by or on the order of a physician.

PowerPark, SonoSite, and the SonoSite logo are registered and unregistered trademarks of FUJIFILM SonoSite, Inc. in various jurisdictions. Value from Innovation is a trademark of FUJIFILM Holdings America Corporation.

All other trademarks are the property of their respective owners.

Patents: US 7,591,786; D625014; D625015; and pending.

Part Number: P13405-06

Publication date: June 2019

Copyright © 2019 FUJIFILM SonoSite, Inc. All rights reserved.



Contents

Introduction	1
Document conventions	1
Changes in this version –03	2
Getting Help	2
About the PowerPark	3
Docking the stand	3
Troubleshooting	5
Cleaning and disinfecting	7
Safety	9
Electrical safety	9
Equipment Safety	10
Electromagnetic compatibility (EMC)	10
Electrostatic discharge	10
Labeling symbols	11
Specifications	12

Introduction

The *PowerPark User Guide* explains how to use, clean, and disinfect the PowerPark. It also provides information on safety and specifications. To attach or remove the PowerPark from the stand, refer to the *PowerPark Assembly Instructions*. For information on the stand or ultrasound system, see the user guide or the ultrasound system on-board help.

WARNING To avoid the risk of patient injury, misdiagnosis, or user injury, read all the warnings in the user guide, supplemental guides, or the ultrasound system on-board help.

Document conventions

The document follows these conventions:

- ▶ A **WARNING** describes precautions necessary to prevent injury or loss of life.
- ▶ A **Caution** describes precautions necessary to protect the products.
- ▶ A **Note** provides supplemental information.
- ▶ Numbered and lettered steps must be performed in a specific order.
- ▶ Bulleted lists present information in list format but do not imply a sequence.

For a description of labeling symbols that appear on the product, see “**Labeling symbols**” on page 11.

Changes in this version -03

Feature	Description
Improved design	Design changes to the dock and stand-mounted assembly necessitate changes to the procedure for resetting breakers. For more information, see "To reset the stand module circuit breakers" on page 6.
Updated cleaning and disinfection instructions	Cleaning and disinfection instructions have been updated to comply with the latest FDA guidelines. For more information, see "Cleaning and disinfecting" on page 7.

Getting Help

For technical support, please contact FUJIFILM SonoSite as follows:

Phone (U.S. or Canada)	+1-877-657-8118
Phone (outside U.S. or Canada)	+1-425-951-1330, or call your local representative
Fax	+1-425-951-6700
Email	ffss-service@fujifilm.com
Web	www.sonosite.com
Europe Service Center	Main: +31 20 751 2020 English support: +44 14 6234 1151 French support: +33 1 8288 0702 German support: +49 69 8088 4030 Italian support: +39 02 9475 3655 Spanish support: +34 91 123 8451
Asia Service Center	+65 6380-5581

Printed in the U.S.

About the PowerPark

The PowerPark is a power docking station for the SonoSite X-Porte ultrasound system, SonoSite SII stand, the SonoSite Edge stand, the V-Universal Stand, and the H-Universal Stand. It lets you dock the stand—without manually connecting the power cord—to charge the PowerPark battery (if present) and the ultrasound system battery.

The PowerPark includes two parts: the dock (which remains on the floor against the wall) and the stand-mounted module (which attaches to the underside of the stand).

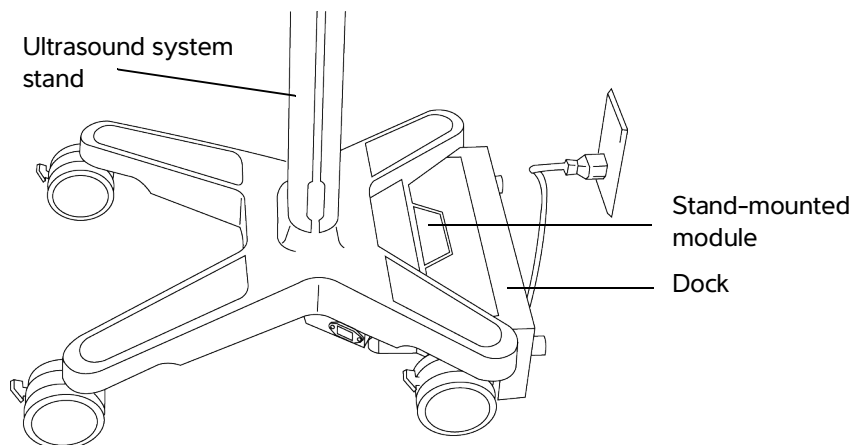


Figure 1 PowerPark includes two main components.

Docking the stand

To dock the stand

- 1 Make sure the AC power cord is disconnected from the system stand.

2 Wheel the stand backward into the dock. See [Figure 2](#) on page 4.

The stand module (on the underside of the stand) snaps into place as it connects with the dock, and the connection indicator glows green.

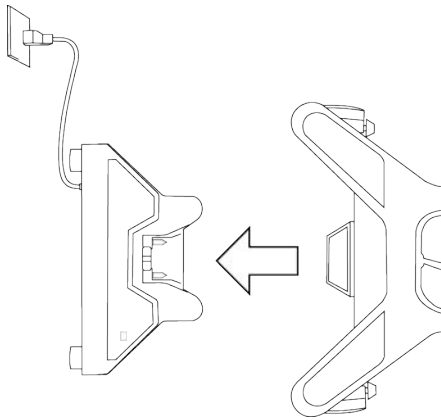


Figure 2 Wheel the stand into the dock to connect (shown with the H-Universal Stand).

To undock the stand

- 1 Make sure the AC power cord is disconnected from the system stand.
- 2 Wheel the stand away from the dock. The connection indicator turns off.

To manually connect to AC power

If necessary, you can manually connect to AC power, for example, if you need to use the system despite a depleted battery.

- ❖ Connect the system power cord to the AC power cord socket on the stand module and to the electrical outlet.

WARNING | To avoid the risk of electrical shock, make sure the AC power cord is disconnected from the PowerPark stand module whenever the stand is docked.

Caution | To avoid a possible trip hazard, do not connect to AC power manually if the stand is docked.

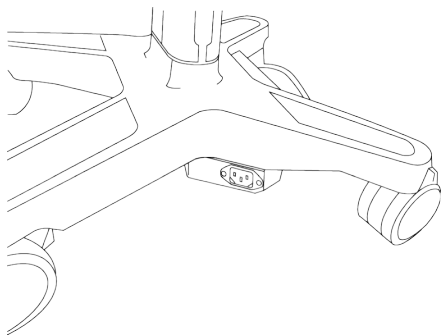


Figure 3 The AC adapter enables you to manually connect to AC power (shown with the H-Universal Stand).

Troubleshooting

Table 1: Symptoms and solutions

Symptom	Solution
PowerPark does not charge the battery	<ul style="list-style-type: none"> ▶ Make sure that the electrical outlet has power. ▶ Make sure that the dock circuit breaker is turned on. ▶ Reset the stand-module circuit breaker if tripped. ▶ Make sure that the stand module is fully connected to the dock.
Stand module does not connect to the dock	Make sure that the floor is clean, flat, and rigid. Avoid thick carpeting.

To turn the dock circuit breaker on or off

The circuit breaker on the PowerPark dock is typically set to the ON position but trips if there is a power event (for example, a power surge).

The circuit breaker is a means of disconnection from mains power.

- 1 Undock the stand.
- 2 Disconnect the power cord from the wall outlet, and pull the PowerPark dock away from the wall.

The circuit breaker is now accessible. See [Figure 4](#) on page 6.

3 Press the circuit breaker to the desired position: **ON** (|) or **OFF** (O).

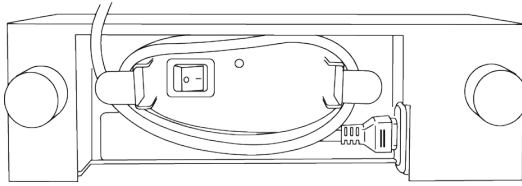


Figure 4 The dock circuit breaker is on the side toward the wall.

To reset the stand module circuit breakers

One or both of the circuit breakers on the stand module trip if there is a power event (for example, a power surge) and may need to be reset.

- 1 Undock the stand, and remove the ultrasound system and any loose items.
- 2 Lock the wheels, and tip the stand onto its side, allowing access to its underside.

WARNING

For SonoSite X-Porte, we recommend keeping the system upright and accessing the circuit breakers from underneath. Tipping the system could cause injury.

3 Press in on each circuit breaker switch until it closes. See [Figure 5](#) on page 7.

- ▶ On a correctly closed circuit breaker, the switch is pressed in.
- ▶ On a tripped circuit breaker, the switch is popped up and exposes a white plastic area.

Note

If you cannot press down the switch and if no white area is exposed, the circuit breaker is closed.

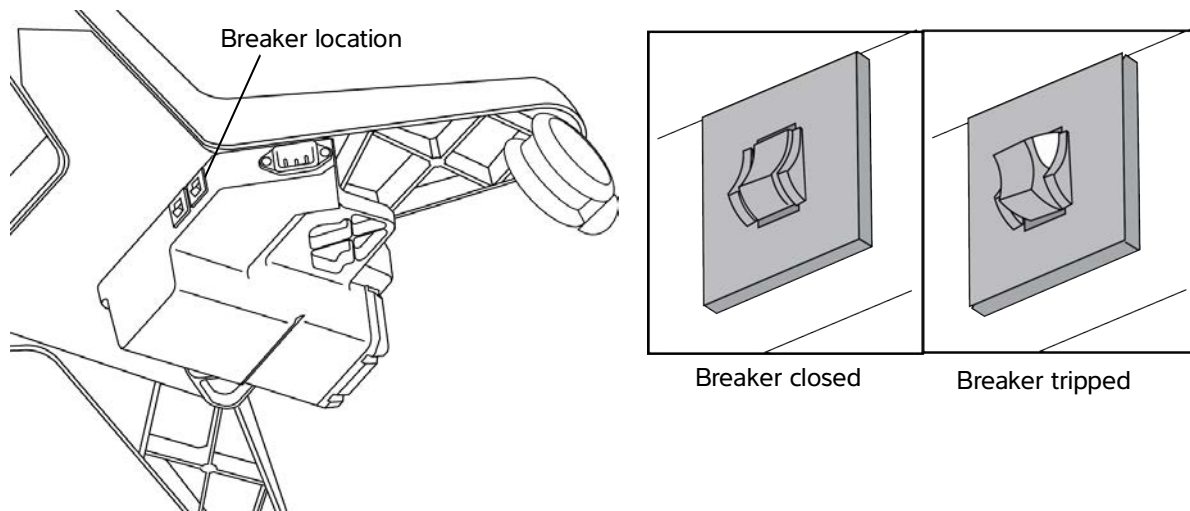


Figure 5 The stand-module circuit breakers are on the stand's underside.

Cleaning and disinfecting

WARNINGS

- ▶ To avoid electrical shock, before cleaning, always disconnect the PowerPark dock from AC power.
- ▶ To avoid injury, always use protective eyewear and gloves when performing cleaning and disinfecting procedures.
- ▶ To avoid infection:
 - ▶ Ensure that the solution expiration date has not passed.
 - ▶ The level of disinfection required for a product is dictated by the type of bodily fluids or tissue it comes into contact with during use. Ensure that the solution strength and duration of contact are appropriate for the equipment. For information, see the disinfectant label instructions and the recommendations of the Association for Professionals in Infection Control and Epidemiology (APIC) and FDA.

Caution

Use only recommended cleaners or disinfectants on surfaces. Immersion-type disinfectants are not tested for use on surfaces.

To clean and disinfect the PowerPark stand module

Whenever you clean the system stand, be sure to also clean the attached PowerPark stand module.

You can clean and disinfect the exterior surface of the PowerPark stand module using a recommended cleaner or disinfectant. For the most recent list of approved products, see *Cleaning and Disinfecting FUJIFILM SonoSite Products*, available at www.sonosite.com.

Caution

Do not allow cleaning solution or disinfectant to contact the PowerPark electrical connectors.

- 1 Turn off the ultrasound system and any accessory equipment. Disconnect the stand from the PowerPark dock or unplug the power cord.
- 2 Clean the stand module surfaces to remove any debris or bodily fluids. Use the following procedure:
 - a Use either a pre-moistened wipe or a soft cloth dampened with cleaner or disinfectant.
 - b Remove all gel, debris, and bodily fluids from the PowerPark stand module.
- 3 With a new wipe, clean all parts of the PowerPark stand module by wiping from the clean areas to the soiled areas. This method helps to avoid cross-contamination.

Follow the chemical manufacturer's instructions regarding temperature and wet contact time. Monitor the PowerPark parts for wet appearance, and reapply with a new wipe if no longer wet.

- 4 Allow the PowerPark stand module to air dry in a clean, well-ventilated space.

To clean the PowerPark dock

Clean the PowerPark dock periodically, or whenever it appears dirty or comes into contact with biomatter or bodily fluids.

Caution

Do not allow cleaning solution or disinfectant to come into contact with the PowerPark electrical connectors.

- 1 Undock the stand, and disconnect the PowerPark dock from the AC power.
- 2 Clean the outside surface of the PowerPark dock to remove any debris or bodily fluids. Use either a pre-moistened wipe or a soft cloth dampened with cleaner or disinfectant.
- 3 With a new wipe, clean all parts of the PowerPark dock by wiping from the clean areas to the soiled areas. This method helps avoid cross-contamination.

Follow the chemical manufacturer's instructions regarding temperature and wet contact time. Monitor the PowerPark parts for wet appearance and reapply with a new wipe if they are no longer wet.

- 4 Allow the PowerPark dock to air dry in a clean, well-ventilated space.

Safety

For maximum safety, observe all of the warnings and cautions in this section.

Electrical safety

Table 2: Electrical safety classification

Class I equipment	The PowerPark is classified as Class I equipment.
Non AP/APG	The PowerPark is not suitable for use in the presence of flammable anesthetics.

WARNINGS

- ▶ To avoid the risk of a shock hazard:
 - ▶ Do not plug the power cord of the PowerPark dock or PowerPark stand module into a multiple portable socket outlet (MPSO) or use an extension cord.
 - ▶ Make sure the AC power cord is disconnected from the PowerPark stand module whenever the stand is docked.
- ▶ To avoid the risk of electrical shock and possible fire:
 - ▶ Use only properly grounded equipment. Shock hazards exist if the power supply is not properly grounded. Grounding reliability can only be achieved when the equipment is connected to a receptacle marked "Hospital Only," "Hospital Grade," or the equivalent. The grounding wire must not be removed or circumvented.
 - ▶ Use only accessories and peripherals recommended by FUJIFILM SonoSite, including the power supply. Use the PowerPark only within the voltage and current limits specified on its ratings label.
 - ▶ Inspect the power supply, plugs, cables, and power cords on a regular basis for damage.
 - ▶ Do not place the PowerPark dock in a wet environment.
- ▶ To avoid system malfunction and the risk of electrical shock, follow the PowerPark assembly instructions.

Equipment Safety

Cautions

- ▶ Excessive bending or twisting of cables can cause a failure or intermittent operation.
- ▶ Improper cleaning or disinfecting of any part of the accessories and peripherals can cause permanent damage. For cleaning and disinfecting instructions, see *Cleaning and Disinfecting FUJIFILM SonoSite Products*, available at www.sonosite.com.

Electromagnetic compatibility (EMC)

See the Safety section of the ultrasound system user guide for information on electromagnetic compatibility with IEC 60601-1-2, including the Manufacturer's Declaration.

Electrostatic discharge

WARNINGS

Unless following ESD precautionary procedures, all users and staff must be instructed not to connect or to touch (with body or hand-held tools) the pins of connectors that have the ESD Sensitive Devices symbol:














If the symbol is on a border surrounding multiple connectors, the symbol pertains to all connectors within the border.

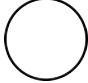
ESD precautionary procedures include the following:

- ▶ Receive training about ESD, including the following (at a minimum): an introduction to the physics of electrostatic charge, the voltage levels that can occur in normal practice, and the damage that can occur to electronic components if equipment is touched by an individual who is electrostatically charged.
- ▶ Prevent the buildup of electrostatic charge; for example, use humidification, conductive floor coverings, non-synthetic clothing, ionizers, and minimizing insulating materials.
- ▶ Ground yourself to discharge any static charge. Use a wrist strap to bond yourself to earth ground.

Labeling symbols

For additional labeling symbols used, see the ultrasound system on-board help or user guide.

Symbol	Definition
	Follow instructions for use.
	Electrostatic sensitive devices
	Class 1 device indicating manufacturer's declaration of conformance with Annex VII of 93/42/EEC.
	Attention, refer to the user guide.
 	Collect separately from other household waste (refer to European Commission Directive 93/86/EEC). Refer to local regulations for disposal.
	Pollution Control Logo. (Applies to all parts/products listed in the China RoHS disclosure table. May not appear on the exterior of some parts/products because of space limitations.)
	Manufacturer, or Manufacturer and date of manufacturer
	Alternating current
	Protective earth (ground)
	On (power)

Symbol	Definition
	Off (power)

Specifications

Dimensions

Approximate dimensions of the PowerPark dock are as follows:

- ▶ Width: 15.00 in (38.1 cm)
- ▶ Depth: 4.88 in. (12.4 cm)
- ▶ Length: 4.88 in. (12.4 cm)
- ▶ Weight (including cord): 11.3 lbs. (5.1 kg)

Environmental limits

Operating: 10 to 40°C; 15 to 95% R.H.; 700 hPa to 1060 hPa

Shipping/Storage: -35 to 65°C; 15 to 95% R.H.; 500 hPa to 1060 hPa

Electrical

PowerPark Dock Supply Input: 100-240 VAC, 50/60 Hz, 8-3.3 A

PowerPark Stand-Module Supply Input: 100-240 VAC, 50/60 Hz, 8-3.3 A

Inhalt

Einführung	13
Dokumentkonventionen	13
Änderungen in dieser Version-03	14
Weiterführende Informationen	14
Informationen zu PowerPark	15
Andocken des Stativs	15
Fehlersuche	17
Reinigung und Desinfektion	19
Sicherheit	21
Elektrische Sicherheit	21
Gerätesicherheit	22
Elektromagnetische Verträglichkeit (EMV)	22
Elektrostatische Entladung	22
Kennzeichnungssymbole	23
Technische Daten	24

Einführung

Das *PowerPark-Benutzerhandbuch* enthält Anweisungen zur Verwendung, Reinigung und Desinfizierung von PowerPark. Darüber hinaus umfasst es Informationen zur Sicherheit sowie die Gerätspezifikationen. Informationen zum Anbringen bzw. Abnehmen des PowerPark vom Stativ finden Sie in den *PowerPark-Montageanweisungen*. Informationen zum Stativ bzw. Ultraschallsystem finden Sie im Benutzerhandbuch oder in der integrierten Hilfe des Ultraschallsystems.

WARNHINWEIS

Um eine Verletzung des Patienten, eine Fehldiagnose oder eine Verletzung des Bedieners zu vermeiden, müssen die Warnhinweise im Benutzerhandbuch, in den ergänzenden Handbüchern oder in der integrierten Hilfe des Ultraschallsystems sorgfältig gelesen werden.

Dokumentkonventionen

Für das Dokument gelten folgende Konventionen:

- ▶ Ein **WARNHINWEIS** beschreibt die notwendigen Vorsichtsmaßnahmen zur Vermeidung einer Verletzung oder eines tödlichen Unfalls.
- ▶ Ein **Vorsichtshinweis** beschreibt die notwendigen Vorsichtsmaßnahmen zum Schutz der Produkte.
- ▶ Ein **Hinweis** enthält ergänzende Informationen.
- ▶ Nummerierte oder mit Buchstaben versehene Schritte müssen in einer bestimmten Reihenfolge durchgeführt werden.
- ▶ Listen mit Gliederungspunkten stellen Informationen in einem Listenformat dar, schreiben jedoch keine Reihenfolge vor.

Eine Beschreibung der Kennzeichnungssymbole des Produkts ist unter „[Kennzeichnungssymbole](#)“ auf Seite 23 zu finden.

Änderungen in dieser Version-03

Funktion	Beschreibung
Verbessertes Design	Aufgrund von Änderungen am Design von Dock und Stativbaugruppe musste die Vorgehensweise für das Zurücksetzen der Trennschalter ebenfalls geändert werden. Weitere Informationen finden Sie unter „ Zurücksetzen der Trennschalter am Stativmodul “ auf Seite 18.
Aktualisierte Reinigungs- und Desinfektionsanweisungen	Die Reinigungs- und Desinfektionsanweisungen wurden an die neuen FDA-Richtlinien angepasst. Weitere Informationen finden Sie unter „ Reinigung und Desinfektion “ auf Seite 19.

Weiterführende Informationen

Der technische Kundendienst von FUJIFILM SonoSite ist wie folgt erreichbar:

Telefon (USA und Kanada)	+1-877-657-8118
Telefon (außerhalb USA und Kanada)	+1-425-951-1330, oder wenden Sie sich an Ihren zuständigen Kundendienstvertreter
Fax	+1-425-951-6700
E-Mail	ffss-service@fujifilm.com
Web	www.sonosite.com
Europäisches Servicezentrum	Hauptstelle: +31 20 751 2020 Kundendienst auf Englisch: +44 14 6234 1151 Kundendienst auf Französisch: +33 1 8288 0702 Kundendienst auf Deutsch: +49 69 8088 4030 Kundendienst auf Italienisch: +39 02 9475 3655 Kundendienst auf Spanisch: +34 91 123 8451
Asiatisches Servicezentrum	+65 6380 5581

Gedruckt in den USA.

Informationen zu PowerPark

PowerPark ist eine strombetriebene Dockingstation für das SonoSite X-Porte-Ultraschallsystem, das SonoSite SII-Stativ, das SonoSite Edge-Stativ, das V-Universal-Stativ und das H-Universal-Stativ. Damit können Sie das Stativ andocken, um den PowerPack-Akku (sofern vorhanden) und den Akku des Ultraschallsystems zu laden, ohne das Netzkabel manuell anschließen zu müssen.

PowerPark besteht aus zwei Teilen: dem Dock (am Boden an der Wand befestigt) und dem Stativmodul (wird mit der Unterseite des Stativs verbunden).

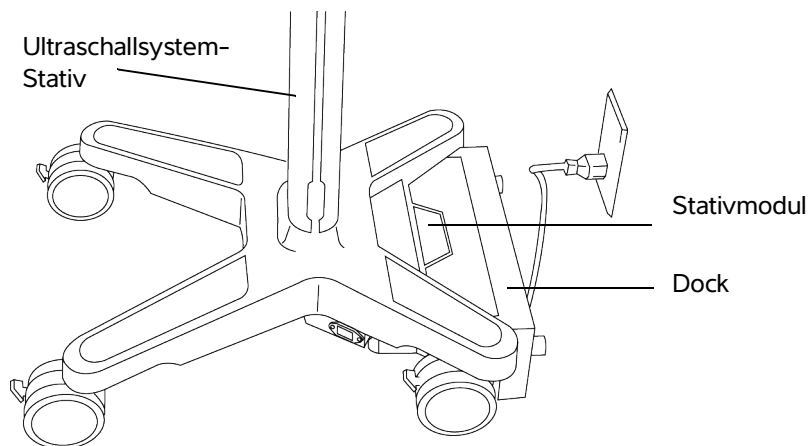


Abbildung 1 PowerPark besteht aus zwei Hauptkomponenten.

Andocken des Stativs

Andocken des Stativs

- 1 Stellen Sie sicher, dass das AC-Netzkabel vom Systemstativ abgezogen ist.

2 Rollen Sie das Stativ rückwärts in das Dock. Siehe **Abbildung 2** auf Seite 16.

Dabei rastet das Stativmodul (an der Unterseite des Stativs) im Dock ein und die Verbindungsanzeige zeigt grün.

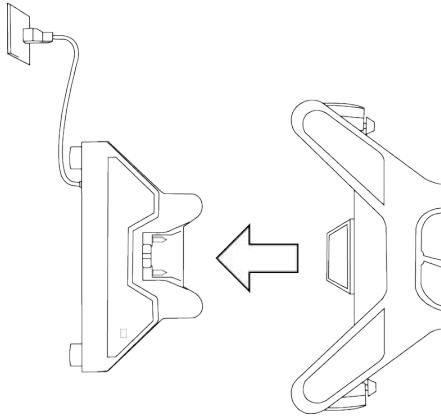


Abbildung 2 Rollen Sie das Stativ rückwärts in das Dock, um es anzuschließen (Darstellung mit H-Universal-Stativ).

Abdocken des Stativs

- 1 Stellen Sie sicher, dass das AC-Netzkabel vom Systemstativ abgezogen ist.
- 2 Rollen Sie das Stativ vom Dock weg. Die Verbindungsanzeige erlischt.

Manueller Anschluss an eine Wechselstromquelle

Bei Bedarf können Sie das Gerät manuell an eine Wechselstromquelle anschließen, z. B. wenn das System bei leerem Akku betrieben werden soll.

- ❖ Verbinden Sie das Systemnetzkabel mit der AC-Netzbuchse am Stativmodul und mit der Steckdose.

WARNHINWEIS

Um das Risiko eines elektrischen Schocks zu vermeiden, stellen Sie sicher, dass das AC-Netzkabel vom PowerPark Stativmodul abgezogen ist, wenn das Stativ angedockt ist.

Vorsichtshinweis

Um eine Stolpergefahr zu vermeiden, das Gerät nicht manuell an eine Wechselstromquelle anschließen, solange das Stativ angedockt ist.

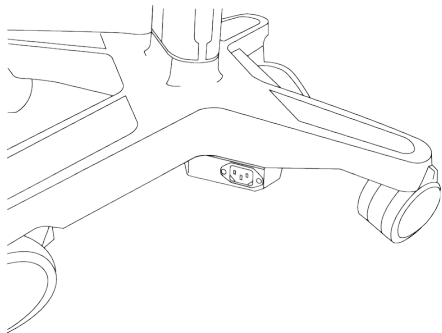


Abbildung 3 Mit dem Netzadapter können Sie das Gerät manuell an eine Wechselstromquelle anschließen (Darstellung mit H-Universal-Stativ).

Fehlersuche

Tabelle 1: Symptome und Lösungen

Symptom	Lösung
Akku wird nicht durch PowerPark geladen	<ul style="list-style-type: none"> ▶ Vergewissern Sie sich, dass Spannung an der Steckdose anliegt. ▶ Stellen Sie sicher, dass der Trennschalter am Dock eingeschaltet ist. ▶ Setzen Sie den Trennschalter am Stativmodul zurück, falls er abgetrennt wurde. ▶ Vergewissern Sie sich, dass das Stativmodul ordnungsgemäß am Dock angeschlossen ist.
Stativmodul lässt sich nicht am Dock anschließen.	Stellen Sie sicher, dass der Boden sauber, eben und fest ist. Stellen Sie das Gerät nicht auf einen dicken Teppich.

Ein- und Ausschalten des Trennschalters am Dock

Der Trennschalter am PowerPark -Dock ist normalerweise eingeschaltet, wird jedoch im Falle eines Stromvorfalls (z. B. Stromausfall) ausgelöst.

Der Trennschalter dient der Trennung des Geräts vom Stromnetz.

- 1 Docken Sie das Stativ aus.
- 2 Ziehen Sie das Netzkabel aus der Wandsteckdose und schieben Sie das PowerPark-Dock von der Wand weg, damit

Sie Zugang zum Trennschalter erhalten. Siehe **Abbildung 4** auf Seite 18.

3 Drücken Sie den Trennschalter in die gewünschte Position: **EIN** (|) oder **AUS** (O).

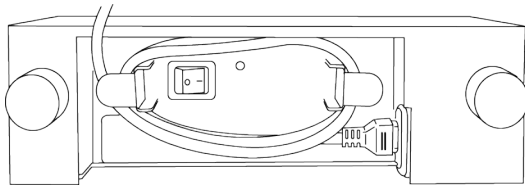


Abbildung 4 Der Trennschalter am Dock befindet sich auf der Seite, die zur Wand zeigt.

Zurücksetzen der Trennschalter am Stativmodul

Ein bzw. beide Trennschalter am Stativmodul werden im Falle von Stromvorfällen (z. B. Stromausfall) ausgelöst und müssen zurückgesetzt werden.

- 1 Das Stativ ausdocken und das Ultraschallsystem sowie alle losen Komponenten abnehmen.
- 2 Die Räder arretieren und das Stativ auf die Seite legen, um Zugang zur Unterseite zu erhalten.

WARNHINWEIS

Bei SonoSite X-Porte empfehlen wir, das System aufrecht stehen zu lassen und von unten auf den Trennschalter zuzugreifen. Wird das System auf die Seite gelegt, kann es zu Verletzungen kommen.

3 Auf beide Trennschalter drücken, bis diese schließen. Siehe **Abbildung 5** auf Seite 19.

- ▶ Wenn der Trennschalter nach unten gedrückt ist, ist er ordnungsgemäß geschlossen.
- ▶ Wenn der Trennschalter ausgelöst wird, ragt der Schalter hervor, sodass ein weißer Bereich aus Kunststoff sichtbar ist.

Hinweis

Wenn der Schalter nicht gedrückt werden kann und wenn kein weißer Bereich sichtbar ist, ist der Trennschalter geschlossen.

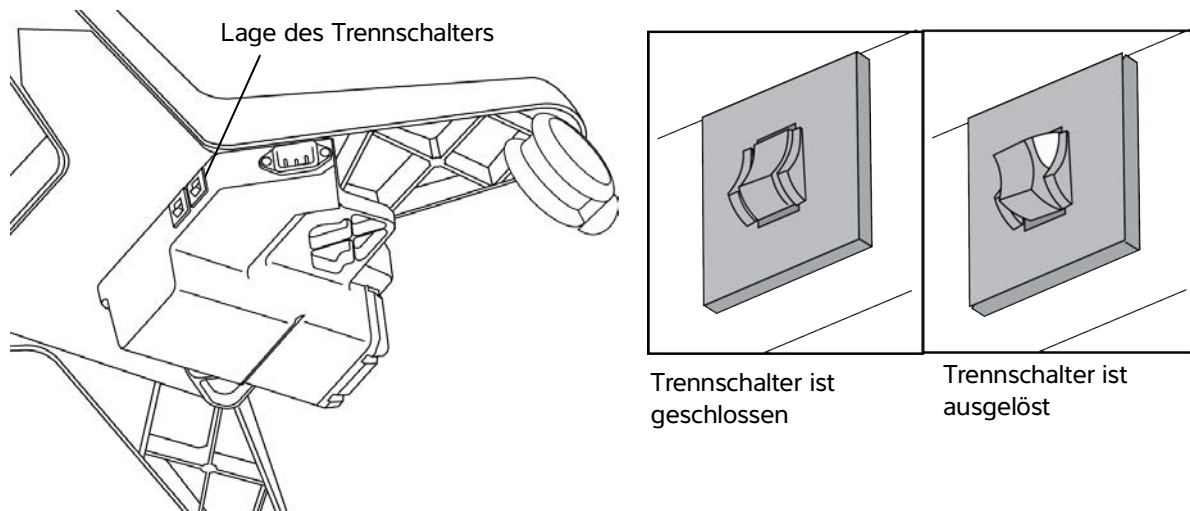


Abbildung 5 Die Trennschalter am Stativmodul befinden sich auf der Unterseite des Stativs.

Reinigung und Desinfektion

WARNHINWEISS

- ▶ Um einen elektrischen Schlag zu vermeiden, unterbrechen Sie vor der Reinigung immer die Verbindung des PowerPark-Docks zur Wechselstromquelle.
- ▶ Um Verletzungen zu vermeiden, tragen Sie beim Reinigen oder Desinfizieren stets Schutzbrille und Handschuhe.
- ▶ So vermeiden Sie Infektionen:
 - ▶ Stellen Sie sicher, dass das Verfallsdatum der Lösung nicht abgelaufen ist.
 - ▶ Der für ein Produkt erforderliche Desinfektionsgrad hängt von der Art der Körperflüssigkeit oder des Gewebes ab, mit dem es beim Gebrauch in Berührung kommt. Stellen Sie sicher, dass die Konzentration der Lösung und die Einwirkungsdauer für das Gerät geeignet sind. Weitere Informationen hierzu finden Sie in den Gebrauchsanweisungen auf dem Etikett des Desinfektionsmittels und den Empfehlungen der „Association for Professionals in Infection Control and Epidemiology (APIC)“ (Verband der Fachleute auf dem Gebiet der Infektionskontrolle und Epidemiologie) und der FDA (US-amerikanische Lebensmittel- und Arzneimittelbehörde).

Vorsichtshinweis

Auf den Oberflächen nur empfohlene Reinigungs- und Desinfektionsmittel verwenden. Desinfektionsmittel, die ein Eintauchen erfordern, wurden nicht für die Verwendung auf Oberflächen getestet.

Reinigen und Desinfizieren des PowerPark-Stativmoduls

Wenn Sie das Systemstativ reinigen, müssen Sie auch das befestigte PowerPark-Stativmodul reinigen.

Sie können die äußere Oberfläche des PowerParkStativmoduls mithilfe eines empfohlenen Reinigungs- oder Desinfektionsmittels reinigen oder desinfizieren. Eine aktuelle Liste mit zugelassenen Produkten finden Sie unter *Reinigung und Desinfektion von FUJIFILM SonoSite Produkten* auf der Website www.sonosite.com.

Vorsichtshinweis

Die Reinigungslösung oder das Desinfektionsmittel darf nicht in die elektrischen Anschlüsse von PowerPark gelangen.

- 1 Schalten Sie das Ultraschallsystem und jegliche Zusatzgeräte aus. Trennen Sie das Stativ vom PowerPark-Dock bzw. ziehen Sie das Netzkabel heraus.
- 2 Reinigen Sie die Oberflächen des Stativmoduls, um Schmutz und Körperflüssigkeiten zu entfernen. Gehen Sie dabei wie folgt vor:
 - a Verwenden Sie entweder ein Feuchttuch oder ein weiches, mit Reinigungs- oder Desinfektionsmittel angefeuchtetes Tuch.
 - b Entfernen Sie alle Reste von Gel, Schmutz und Körperflüssigkeiten vom PowerPark-Stativmodul.
- 3 Nehmen Sie ein neues Tuch und reinigen Sie alle Teile des PowerPark-Stativmoduls, indem Sie von den sauberen Bereichen zu den verschmutzten Bereichen hin wischen. Durch diese Methode wird eine Kreuzkontamination vermieden.

Befolgen Sie die Herstellervorgaben zu Temperatur und Einwirkungsdauer des chemischen Produkts. Achten Sie darauf, dass PowerPark-Teile nass sind, und wischen Sie nach, falls die Teile getrocknet sind.
- 4 Lassen Sie das PowerPark-Stativmodul an einem sauberen gut belüfteten Ort an der Luft trocknen.

Reinigen des PowerPark-Docks

Reinigen Sie das PowerPark-Dock regelmäßig bzw. wenn es verschmutzt oder mit Biomaterialien oder Körperflüssigkeiten in Kontakt gekommen ist.

Vorsichtshinweis

Die Reinigungslösung oder das Desinfektionsmittel darf mit den elektrischen Anschlüssen von PowerPark in Berührung kommen.

- 1 Docken Sie das Stativ ab und trennen Sie den PowerPark-Dock von der Wechselstromquelle.
- 2 Reinigen Sie die Oberflächen des PowerPark-Docks, um alle Partikel oder Körperflüssigkeiten zu entfernen. Verwenden Sie entweder ein Feuchttuch oder ein weiches, mit Reinigungs- oder Desinfektionsmittel angefeuchtetes Tuch.
- 3 Nehmen Sie ein neues Tuch und reinigen Sie alle Teile des PowerPark-Docks, indem Sie von den sauberen Bereichen zu den verschmutzten Bereichen hin wischen. Durch diese Methode wird eine Kreuzkontamination vermieden.

Befolgen Sie die Herstellervorgaben zu Temperatur und Einwirkungsdauer des chemischen Produkts. Achten Sie darauf, dass PowerPark-Teile nass sind, und wischen Sie nach, falls die Teile getrocknet sind.

4 Lassen Sie den PowerPark-Dock an einem sauberen gut belüfteten Ort an der Luft trocknen.

Sicherheit

Um eine maximale Sicherheit zu gewährleisten, beachten Sie alle Warn- und Vorsichtshinweise in diesem Abschnitt.

Elektrische Sicherheit

Tabelle 2: Klassifizierung der elektrischen Sicherheit

Gerät der Klasse I	PowerPark ist ein gerät der Klasse I.
Kein AP/APG-Schutz	PowerPark ist nicht zur Verwendung in Gegenwart von entzündlichen Anästhetika geeignet.

WARNHINWEISE

- ▶ Um die Gefahr von Stromschlägen zu vermeiden:
 - ▶ Dürfen die Netzkabel des PowerPark-Docks und PowerPark-Stativmoduls weder an eine tragbare Mehrfachsteckdose noch an ein Verlängerungskabel angeschlossen werden.
 - ▶ Stellen Sie sicher, dass das AC-Netzkabel vom PowerPark Stativmodul abgezogen ist, wenn das Stativ angedockt ist.
- ▶ So wird das Risiko von elektrischen Schlägen und möglichen Bränden vermieden:
 - ▶ Geräte nur bei ordnungsgemäßer Erdung verwenden. Wenn das Netzteil nicht ordnungsgemäß geerdet ist, besteht die Gefahr eines elektrischen Schlags. Die Zuverlässigkeit einer Erdung lässt sich nur dann sicherstellen, wenn das Gerät im Krankenhaus an eine entsprechende Wandsteckdose angeschlossen wird. Die Erdungsader darf nicht entfernt oder umgangen werden.
 - ▶ Ausschließlich von FUJIFILM SonoSite empfohlene Zubehörteile und Peripheriegeräte (einschließlich Netzteil) verwenden. PowerPark nur innerhalb der auf dem Etikett für Spannung und Stromstärke angegebenen Grenzwerte verwenden.
 - ▶ Die Wandsteckdose, Stecker, Kabel und Netzkabel regelmäßig auf Schäden prüfen.
 - ▶ PowerPark-Dock nicht in einer feuchten Umgebung aufstellen.
- ▶ Befolgen Sie die Montageanweisungen für PowerPark, um Systemfehler und Stromschläge zu vermeiden.

Gerätesicherheit

Vorsichtshinweise

- ▶ Übermäßiges Biegen oder Verdrehen der Kabel kann zu einem Defekt oder zum zeitweiligen Aussetzen des Betriebs führen.
- ▶ Unsachgemäße Reinigung oder Desinfektion des Zubehörs bzw. der Peripheriegeräte kann permanenten Schaden verursachen. Anweisungen zur Reinigung und Desinfektion sind finden Sie unter *Reinigung und Desinfektion von FUJIFILM SonoSite Produkten* auf der Website www.sonosite.com.

Elektromagnetische Verträglichkeit (EMV)

Informationen zur elektromagnetischen Verträglichkeit gemäß IEC 60601-1-2, einschließlich der Herstellererklärung, sind den Hinweisen zur Sicherheit im Benutzerhandbuch für das Ultraschallsystem zu entnehmen.

Elektrostatische Entladung

WARNHINWEISE

Sofern sie nicht die Vorsichtsmaßnahmen gegen elektrostatische Entladung einhalten, müssen alle Benutzer und Mitarbeiter angewiesen werden, keine Verbindung mit den Kontakten von Anschlüssen herzustellen, die mit dem Symbol für gegen Elektrostatik empfindliche Geräte versehen sind, und diese nicht (mit dem Körper oder Handgeräten) zu berühren:



Befindet sich das Symbol an einer Umrahmung um mehrere Anschlüsse, betrifft es alle Anschlüsse innerhalb der Umrahmung.

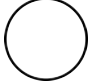
Vorsichtsmaßnahmen gegen elektrostatische Entladung sind u.a. Folgende:

- ▶ Eine Schulung über elektrostatische Entladung absolvieren, die u. a. mindestens Folgendes abdeckt: eine Einführung in die Physik der elektrostatischen Aufladung, die Spannungsebenen, die im Normalfall auftreten können, und die Schäden, die an elektronischen Komponenten entstehen können, wenn das Gerät von einer elektrostatisch aufgeladenen Person berührt wird.
- ▶ Elektrostatische Aufladung vermeiden, beispielsweise durch Befeuchtung, leitfähige Fußbodenbeläge, nicht synthetische Kleidung, Ionisatoren und Minimierung von Isoliermaterialien.
- ▶ Erden Sie sich, um jegliche statische Aufladung abzuleiten. Ein Handgelenkband als Verbindung zur Erde tragen.

Kennzeichnungssymbole

Weitere Informationen zu den Kennzeichnungssymbolen sind der integrierten Hilfe oder dem Benutzerhandbuch des Ultraschallsystems zu entnehmen.

Symbol	Definition
	Bitte Gebrauchsanweisungen befolgen.
	Gegen Elektrostatik empfindliche Geräte
	Geräte der Klasse 1; zur Ausweisung der Übereinstimmungserklärung des Herstellers in Bezug auf Anhang VII von 93/42/EWG.
	Achtung, siehe Benutzerhandbuch.
	Separat von anderen Haushaltsabfällen entsorgen (siehe Richtlinie 93/86/EWG der Europäischen Kommission). Die lokalen Vorschriften in Bezug auf Entsorgung einsehen.
	Umweltschutz-Logo. (Gilt für alle Teile/Produkte, die in den von China veröffentlichten RoHS-Vorschriften aufgelistet werden. Wird möglicherweise wegen Platzmangel nicht auf der Oberfläche einiger Teile/Produkte angezeigt.)
	Hersteller oder Hersteller und Herstellungsdatum
	Wechselstrom
	Schutzerdung
	EIN (Strom)

Symbol	Definition
	AUS (Strom)

Technische Daten

Abmessungen

PowerPark-Abmessungen:

- ▶ Breite: 38,1 cm
- ▶ Tiefe: 12,4 cm
- ▶ Länge: 12,4 cm
- ▶ Gewicht (inklusive Kabel): 5,1 kg

Umgebungsbedingungen

Betrieb: 10–40 °C; 15–95 % relative Luftfeuchtigkeit; 700 hPa–1060 hPa

Versand/Lagerung: –35–65 °C; 15–95 % relative Luftfeuchtigkeit; 500 hPa–1060 hPa

Elektrische Daten

Netzteil Eingang PowerPark-Dock: 100–240 V Wechselstrom, 50/60 Hz, 8–3,3 A

Netzteil Eingang PowerPark-Stativmodul: 100–240 V Wechselstrom, 50/60 Hz, 8–3,3 A

Índice

Introducción	25
Convenciones utilizadas en el documento	25
Cambios de esta versión -03	26
Obtención de ayuda	26
Acerca del PowerPark	27
Acoplamiento de la base	27
Solución de problemas	29
Limpieza y desinfección	31
Seguridad	33
Seguridad eléctrica	33
Seguridad del equipo	34
Compatibilidad electromagnética (CEM)	34
Descargas electrostáticas	34
Símbolos del etiquetado	35
Especificaciones	36

Introducción

El *Manual para el usuario de PowerPark* explica cómo utilizar, limpiar y desinfectar el PowerPark. Asimismo, incluye información sobre la seguridad y las especificaciones. Para acoplar o retirar el PowerPark de la base, consulte las *Instrucciones de montaje del PowerPark*. Para obtener información acerca de la base o del sistema de ecografía, consulte el manual para el usuario o la ayuda del propio sistema de ecografía.

ADVERTENCIA

Para evitar lesiones al paciente, diagnósticos incorrectos o lesiones al propio usuario, lea todas las advertencias del manual para el usuario, las guías suplementarias o la ayuda del propio sistema de ecografía.

Convenciones utilizadas en el documento

Este documento sigue las siguientes convenciones:

- ▶ Los mensajes de **ADVERTENCIA** describen las precauciones necesarias para evitar lesiones o situaciones que entrañen peligro de muerte.
- ▶ Los mensajes de **Precaución** describen las precauciones necesarias para proteger los productos.
- ▶ Una **Nota** proporciona información adicional.
- ▶ Los pasos que aparecen con números y letras deben ejecutarse en un orden determinado.
- ▶ Las listas con viñetas presentan información en forma de lista, sin que ello implique una secuencia.

Para obtener una descripción de los símbolos del etiquetado que aparecen en el producto, consulte **“Símbolos del etiquetado”** en la página 35.

Cambios de esta versión -03

Función	Descripción
Mejora en el diseño	Los cambios de diseño en el módulo de acoplamiento y el montaje acoplable a la base requerían modificaciones en el procedimiento para restablecer los disyuntores. Si desea obtener más información, consulte “Para restablecer los disyuntores del módulo de la base” en la página 30.
Actualización de las instrucciones de limpieza y desinfección	Se han actualizado las instrucciones de limpieza y desinfección para que cumplieren con las últimas directrices de la FDA. Si desea obtener más información, consulte “Limpieza y desinfección” en la página 31.

Obtención de ayuda

Para obtener asistencia técnica, póngase en contacto con FUJIFILM SonoSite por los siguientes medios:

Por teléfono (EE. UU. o Canadá)	+1-877-657-8118
Por teléfono (fuera de EE. UU. o Canadá)	+1-425-951-1330 o bien llame a su representante local
Fax	+1-425-951-6700
Correo electrónico	ffss-service@fujifilm.com
Web	www.sonosite.com
Centro de servicio al cliente en Europa	Principal: +31 20 751 2020 Asistencia técnica en inglés: +44 14 6234 1151 Asistencia técnica en francés: +33 1 8288 0702 Asistencia técnica en alemán: +49 69 8088 4030 Asistencia técnica en italiano: +39 02 9475 3655 Asistencia técnica en español: +34 91 123 8451
Centro de servicio al cliente en Asia	+65 6380-5581

Impreso en Estados Unidos.

Acerca del PowerPark

El PowerPark es una unidad complementaria para el sistema de ecografía SonoSite X-Porte, para la base SonoSite SII, para la base SonoSite Edge, para la base V-Universal o para la base H-Universal. Le permite acoplar la base (sin necesidad de conectar el cable de alimentación manualmente) para cargar la batería del PowerPack (si procede) y la batería del sistema de ecografía.

El PowerPark incluye dos partes: el módulo de acoplamiento (que permanece en el suelo contra la pared) y el módulo acoplable a la base (que se une a la parte inferior de la base).

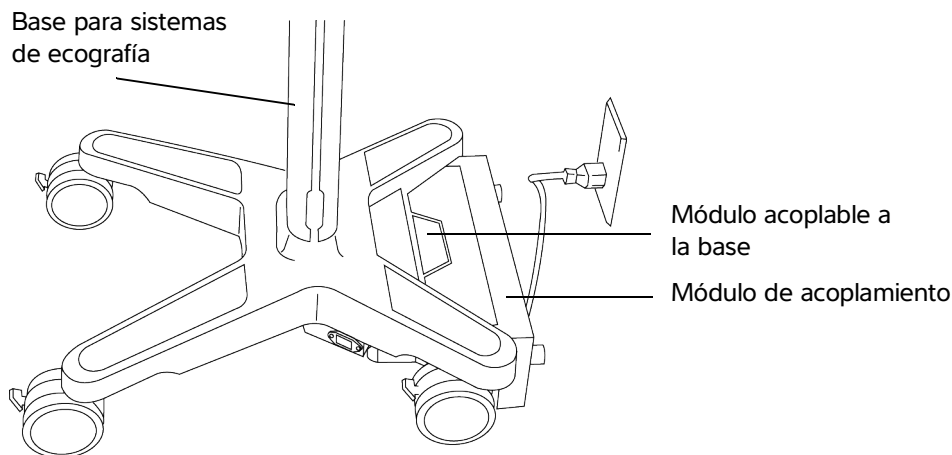


Figura 1 PowerPark incluye dos componentes principales.

Acoplamiento de la base

Para acoplar la base

- 1 Asegúrese de que el cable de alimentación de CA está desconectado de la base para sistemas.

- 2 Haga rodar la base hacia atrás hasta que llegue al módulo de acoplamiento. Consulte **Figura 2** en la página 28.

El módulo de la base (situado en la parte inferior de la base) emite un chasquido al conectarse con el módulo de acoplamiento y el indicador de conexión se ilumina en verde.

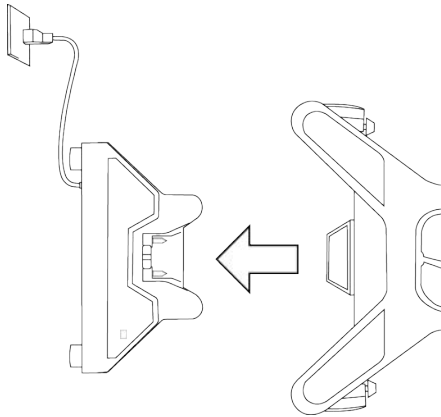


Figura 2 Haga rodar la base hasta que llegue al módulo de acoplamiento para conectarla (se muestra con la base H-Universal).

Para desacoplar la base

- 1 Asegúrese de que el cable de alimentación de CA está desconectado de la base para sistemas.
- 2 Haga rodar la base alejándola del módulo de acoplamiento. El indicador de conexión se apaga.

Para conectar manualmente la alimentación de CA

Si es necesario, puede realizar la conexión a la alimentación de CA de forma manual (por ejemplo, si necesita utilizar el sistema y este tiene la batería agotada).

- ❖ Conecte el cable de alimentación del sistema al receptáculo del cable de alimentación de CA del módulo de la base y a la toma eléctrica.

ADVERTENCIA

Para prevenir el riesgo de electrocución, asegúrese de que el cable de alimentación de CA está desconectado del módulo de la base del PowerPark cuando la base esté acoplada.

Precaución

Para evitar un posible peligro de tropiezo, no realice la conexión a la alimentación de CA de forma manual si la base se encuentra acoplada.

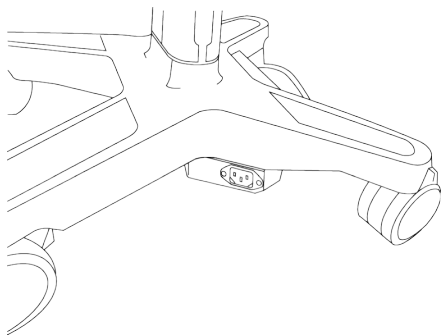


Figura 3 El adaptador de CA le permite realizar la conexión a la alimentación de CA de forma manual (se muestra con la base H-Universal).

Solución de problemas

Tabla 1: Problemas y soluciones

Problema	Solución
PowerPark no carga la batería	<ul style="list-style-type: none"> ▶ Asegúrese de que la toma eléctrica tenga corriente. ▶ Compruebe que el disyuntor del módulo de acoplamiento esté activado. ▶ Restablezca el disyuntor del módulo de la base si se ha disparado. ▶ Asegúrese de que el módulo de la base esté completamente conectado al módulo de acoplamiento.
El módulo de la base no se conecta al módulo de acoplamiento	Asegúrese de que el suelo esté limpio, sea plano y rígido. Evite las superficies de moqueta gruesa.

Para encender o apagar el disyuntor

Por lo general, el disyuntor del PowerPark se encuentra en la posición activado, pero se dispara en caso de un evento de energía (por ejemplo, subida de tensión).

El disyuntor es un medio para desconectar el suministro eléctrico.

- 1 Desacoplamiento de la base.
- 2 Desconecte el cable de alimentación de la toma de la pared y tire del módulo de acoplamiento del PowerPark para desenchufarlo de la pared.

Ahora puede acceder al disyuntor. Consulte **Figura 4** en la página 30.

3 Presione el disyuntor para colocarlo en la posición deseada: **Activado** (I) o **desactivado** (O).

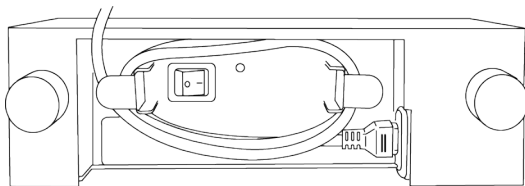


Figura 4 El disyuntor del módulo de acoplamiento se encuentra en el lado situado hacia la pared.

Para restablecer los disyuntores del módulo de la base

Uno o ambos de los disyuntores del módulo de la base se disparan si se produce algún problema eléctrico (por ejemplo, una subida de tensión) y es necesario restablecerlos.

- 1 Desacople la base y retire el sistema de ecografía y cualquier elemento suelto.
- 2 Ponga el seguro a las ruedas e incline la base hacia un lado, de modo que pueda acceder a su parte inferior.

ADVERTENCIA

Para el SonoSite X-Porte, recomendamos mantener el sistema en posición vertical y acceder a los disyuntores desde abajo. Inclinarse podría causar lesiones.

3 Presione el interruptor de cada uno de los disyuntores hasta que se cierren. Consulte **Figura 5** en la página 31.

- ▶ En un disyuntor correctamente cerrado, el interruptor se encuentra presionado.
- ▶ En un disyuntor disparado, el interruptor se encuentra levantado mostrando una zona de plástico blanco.

Nota

Si no puede presionar el interruptor y no es visible ninguna zona blanca, el interruptor está cerrado.

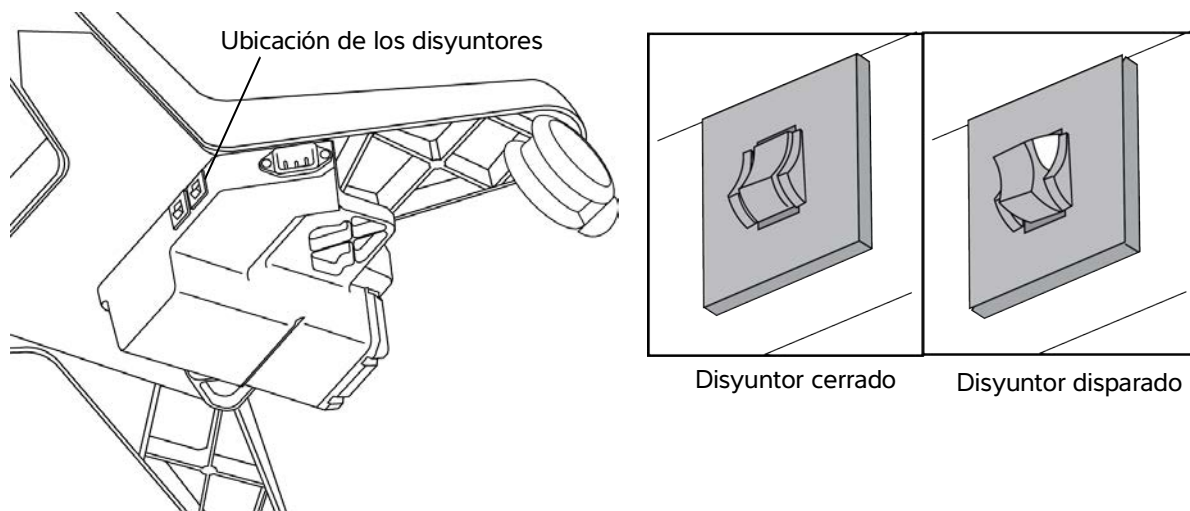


Figura 5 Los disyuntores del módulo de la base se encuentran en la parte inferior de la base.

Limpieza y desinfección

ADVERTENCIAS

- ▶ Para evitar descargas eléctricas, desconecte siempre el módulo de acoplamiento del PowerPark de la alimentación de CA antes de limpiarlo.
- ▶ Para evitar lesiones, utilice siempre gafas y guantes de protección durante la limpieza y desinfección.
- ▶ Para evitar infecciones:
 - ▶ Asegúrese de que la fecha de caducidad de la solución no haya vencido.
 - ▶ El nivel de desinfección requerido para un producto debe determinarse según el tipo de líquido corporal o tejido con el que entre en contacto durante su utilización. Asegúrese de que la concentración de la solución y el tiempo de contacto sean los apropiados para el equipo. Para obtener información, consulte las instrucciones de la etiqueta del desinfectante y las recomendaciones de la Association for Professionals in Infection Control and Epidemiology (APIC, Asociación de profesionales de epidemiología y control de infecciones) y la FDA.

Precaución

Utilice solo limpiadores o desinfectantes recomendados para tratar las superficies del sistema. No se ha determinado el efecto de desinfectantes de inmersión en dichas superficies.

Para limpiar y desinfectar el módulo de la base del PowerPark

Cuando vaya a limpiar la base del sistema, no olvide también limpiar el módulo de la base del PowerPark que lleva acoplado.

Puede limpiar y desinfectar la superficie exterior del módulo de la base del PowerPark utilizando una solución de limpieza o un desinfectante recomendado. Puede consultar la lista más reciente de productos aprobados en *Limpieza y desinfección de los productos FUJIFILM SonoSite*, disponible en www.sonosite.com.

Precaución No deje que la solución de limpieza o el desinfectante penetren en los conectores eléctricos del PowerPark.

- 1 Apague el sistema de ecografía y cualquier equipo accesorio. Desconecte la base del módulo acoplable del PowerPark o desenchufe el cable de alimentación.
- 2 Limpie las superficies del módulo de la base para eliminar los residuos o líquidos corporales. Use el procedimiento siguiente:
 - a Utilice una toallita previamente humedecida o un paño suave humedecido con limpiador o desinfectante.
 - b Retire todos los restos de gel, residuos y líquidos corporales del módulo de la base PowerPark.
- 3 Use una toallita nueva para limpiar todas las piezas del módulo de la base del PowerPark frotando desde las zonas limpias hasta las zonas sucias. Este método contribuye a evitar la contaminación cruzada.

Siga los requisitos del fabricante del producto químico en lo relativo a la temperatura y al tiempo de contacto en mojado. Supervise las piezas del PowerPark para comprobar que tengan un aspecto mojado y, si se seca, vuelva a aplicar con una toallita nueva.
- 4 Deje que el módulo de la base del PowerPark se seque en un espacio limpio y bien ventilado.

Para limpiar el módulo de acoplamiento del PowerPark

Limpie el módulo de acoplamiento del PowerPark regularmente o cuando esté sucio o entre en contacto con materia orgánica o líquidos corporales.

Precaución No deje que la disolución de limpieza o el desinfectante entren en contacto con los conectores eléctricos del PowerPark.

- 1 Desacople la base y desconecte el módulo de acoplamiento del PowerPark de la alimentación de CA.
- 2 Limpie la superficie externa del módulo de la base del PowerPark para eliminar los residuos o líquidos corporales. Utilice una toallita previamente humedecida o un paño suave humedecido con limpiador o desinfectante.
- 3 Use una toallita nueva para limpiar todas las piezas del módulo de acoplamiento del PowerPark frotando desde las zonas limpias hasta las zonas sucias. Este método ayuda a evitar que se produzca una contaminación cruzada.

Siga los requisitos del fabricante del producto químico en lo relativo a la temperatura y al tiempo de contacto en mojado. Supervise las piezas del PowerPark para comprobar que tengan un aspecto mojado y, si se seca, vuelva a aplicar con una toallita nueva.

4 Deje que el módulo de acoplamiento del PowerPark se seque en un espacio limpio y bien ventilado.

Seguridad

Para elevar al máximo la seguridad, respete todos los avisos y precauciones de este apartado.

Seguridad eléctrica

Tabla 2: Clasificación de seguridad eléctrica

Equipo de clase I	El PowerPark está clasificado como equipo de Clase I.
No de la categoría AP/APG	El PowerPark no está indicado para su uso en presencia de anestésicos inflamables.

ADVERTENCIAS

- ▶ Para evitar el riesgo de descarga eléctrica:
 - ▶ No conecte el cable de alimentación del módulo de acoplamiento PowerPark o del módulo de la base PowerPark en un zócalo de múltiples tomas de corriente portátil (MPSO) ni utilice una alargadera.
 - ▶ Asegúrese de que el cable de alimentación de CA está desconectado del módulo de la base del PowerPark cuando la base esté acoplada.
- ▶ Para evitar el riesgo de descargas eléctricas y posibles incendios:
 - ▶ Utilice solamente equipos que tengan una toma de tierra adecuada. Existe peligro de descarga si la fuente de alimentación no tiene una conexión a tierra adecuada. La fiabilidad de las tomas de tierra solo se puede lograr cuando el equipo esté conectado a una toma marcada como «Solo hospital», «Calidad hospitalaria» o equivalente. El cable de tierra no se debe retirar ni sortear.
 - ▶ Utilice solamente los accesorios y periféricos recomendados por FUJIFILM SonoSite, incluida la fuente de alimentación. Utilice el PowerPark únicamente dentro de los límites de tensión y de corriente especificados en la etiqueta de clasificación.
 - ▶ Inspeccione la fuente de alimentación, los enchufes, los cables y los cables de alimentación con regularidad para comprobar si están dañados.
 - ▶ No sitúe el módulo de acoplamiento PowerPark en un entorno húmedo.
- ▶ Para evitar la avería del sistema y el riesgo de descargas eléctricas, siga las instrucciones de montaje del PowerPark.

Seguridad del equipo

Precauciones

- ▶ Doblar o retorcer los cables en exceso puede provocar un fallo o un funcionamiento intermitente.
- ▶ La limpieza o desinfección incorrectas de cualquier parte de los accesorios y periféricos puede causar daños permanentes. Para ver instrucciones de limpieza y desinfección, consulte *Limpieza y desinfección de productos FUJIFILM SonoSite* disponible en www.sonosite.com.

Compatibilidad electromagnética (CEM)

En el apartado de seguridad del manual para el usuario del sistema de ecografía puede consultar información acerca de la compatibilidad electromagnética con IEC 60601-1-2, incluida la declaración del fabricante.

Descargas electrostáticas

ADVERTENCIAS

Salvo que se observen los procedimientos de precaución sobre descargas electrostáticas, se debe indicar a todos los usuarios y al personal que no conecten ni toquen (con el cuerpo o con herramientas manuales) los contactos de los conectores marcados con el símbolo de dispositivo sensible a las descargas electrostáticas:













Si el símbolo se encuentra en un borde que rodea varios conectores, el símbolo se refiere a todos los conectores situados en dicho borde.

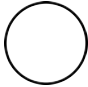
Los procedimientos preventivos sobre descargas electrostáticas son los siguientes:

- ▶ Recibir formación acerca de las descargas electrostáticas que incluya, como mínimo, los siguientes aspectos: una introducción a los fundamentos físicos de la carga electrostática, los niveles de tensión que pueden aparecer en la práctica normal, y los daños que pueden sufrir los componentes electrónicos si una persona cargada electrostáticamente entra en contacto con el equipo.
- ▶ Evitar la acumulación de carga electrostática; por ejemplo, uso de humidificación, revestimientos de suelos conductivos, ropa no sintética, ionizadores y minimización de materiales aislantes.
- ▶ Haga masa para descargar una posible carga estática. Use una muñequera para unirse a la tierra.

Símbolos del etiquetado

Consulte los símbolos de etiquetado adicionales utilizados en el manual para el usuario o en la ayuda del propio sistema de ecografía.

Símbolo	Definición
	Seguir las instrucciones de uso.
	Dispositivos susceptibles a la electricidad electrostática
	Dispositivo de Clase 1; indica la declaración de conformidad del fabricante con el Anexo VII de la directiva 93/42/CEE.
	Atención, ver instrucciones de uso.
	Mantener los desechos separados de la basura doméstica (consulte la directriz de la Comisión Europea 93/86/CEE). Consultar los reglamentos locales para eliminación de desechos.
	Logotipo de control de polución. (Se aplica a todos los productos y piezas relacionados en la tabla de publicación de RoHS de China. Es posible que no aparezca en el exterior de algunos productos o piezas a causa de limitaciones de espacio.)
	Fabricante o Fabricante y fecha de fabricación
	Corriente alterna
	Toma de tierra de protección
	Encendido (alimentación)

Símbolo	Definición
	Apagado (alimentación)

Especificaciones

Dimensiones

Las dimensiones aproximadas del módulo de acoplamiento PowerPark son las siguientes:

- ▶ Anchura: 38,1 cm
- ▶ Profundidad: 12,4 cm
- ▶ Longitud: 12,4 cm
- ▶ Peso (incluido el cable): 5,1 kg

Límites ambientales

En funcionamiento: de 10 a 40 °C; del 15 al 95% de H. R.; 700 hPa a 1060 hPa

Almacenamiento y envío: de -35 a 65°C; del 15 al 95% de H. R.; 500 hPa a 1060 hPa

Electricidad

Entrada de alimentación del módulo de acoplamiento PowerPark: 100–240 VCA, 50/60 Hz, 8–3,3 A

Entrada de alimentación del módulo de la base PowerPark: 100–240 VCA, 50/60 Hz, 8–3,3 A

Sommaire

Introduction	37
Conventions du document	37
Modifications de cette version -03	38
Obtenir de l'aide	38
À propos du PowerPark	39
Raccordement du socle à la station d'accueil	39
Dépannage	41
Nettoyage et désinfection	43
Sécurité	45
Sécurité électrique	45
Sécurité de l'équipement	46
Compatibilité électromagnétique (EMC)	46
Décharge électrostatique	46
Symboles d'étiquetage	47
Spécifications	48

Introduction

Le *Guide d'utilisation du PowerPark* explique comment utiliser, nettoyer et désinfecter le PowerPark. Il fournit également des informations relatives à la sécurité et aux spécifications. Pour fixer ou retirer le PowerPark de son socle, reportez-vous aux Instructions de montage *PowerPark*. Pour plus d'informations à propos du socle ou de l'échographe, reportez-vous au guide d'utilisation ou à l'aide intégrée à l'échographe.

AVERTISSEMENT

Pour éviter les risques de blessure des patients, les erreurs de diagnostic ou d'autres blessures, lisez tous les avertissements figurant dans le guide d'utilisation ou dans l'aide intégrée à l'échographe.

Conventions du document

Le document respecte les conventions suivantes :

- ▶ Un **AVERTISSEMENT** décrit les précautions nécessaires pour éviter les blessures ou décès.
- ▶ Une **Mise en garde** décrit les précautions nécessaires pour protéger les produits.
- ▶ Une **Remarque** fournit des informations supplémentaires.
- ▶ Les étapes comportant un numéro ou une lettre doivent être employées dans un ordre spécifique.
- ▶ Les listes à puces présentent des informations sous forme de liste, mais sans impliquer le respect d'un ordre particulier.

Pour obtenir une description des symboles d'étiquetage qui figurent sur le produit, voir « **Symboles d'étiquetage** », page 47.

Modifications de cette version -03

Caractéristique	Description
Conception améliorée	Les modifications de la conception de la station d'accueil et de l'ensemble monté sur socle nécessitent des changements de procédure de réinitialisation des disjoncteurs. Pour plus d'informations, voir « Pour réinitialiser les disjoncteurs du module du socle », page 42.
Mise à jour des instructions de nettoyage et désinfection	Les instructions de nettoyage et de désinfection ont été mises à jour afin d'être conformes aux toutes dernières directives de la FDA. Pour plus d'informations, voir « Nettoyage et désinfection », page 43.

Obtenir de l'aide

Pour obtenir une assistance technique, veuillez contacter FUJIFILM SonoSite comme suit :

Téléphone (États-Unis ou Canada)	+1-877-657-8118
Téléphone (hors États-Unis et Canada)	+1-425-951-1330, ou contactez votre représentant local
Télécopie	+1-425-951-6700
E-mail	ffss-service@fujifilm.com
Site web	www.sonosite.com
Centre de service en Europe	Ligne principale : +31 20 751 2020 Assistance en anglais : +44 14 6234 1151 Assistance en français : +33 1 8288 0702 Assistance en allemand : +49 69 8088 4030 Assistance en italien : +39 02 9475 3655 Assistance en espagnol : +34 91 123 8451
Centre de service en Asie	+65 6380-5581

Imprimé aux États-Unis

À propos du PowerPark

Le PowerPark est une station d'accueil prévue pour l'échographe SonoSite X-Porte, le socle du SonoSite SII, le socle du SonoSite Edge, le socle V-Universal et le socle H-Universal. Il vous permet de connecter le socle sans raccorder manuellement le cordon d'alimentation afin de recharger la batterie PowerPark (le cas échéant) et la batterie de l'échographe.

Le PowerPark est constitué de deux parties : la station d'accueil (qui reste au sol, contre un mur) et le module monté sur socle (qui se fixe sous le socle).

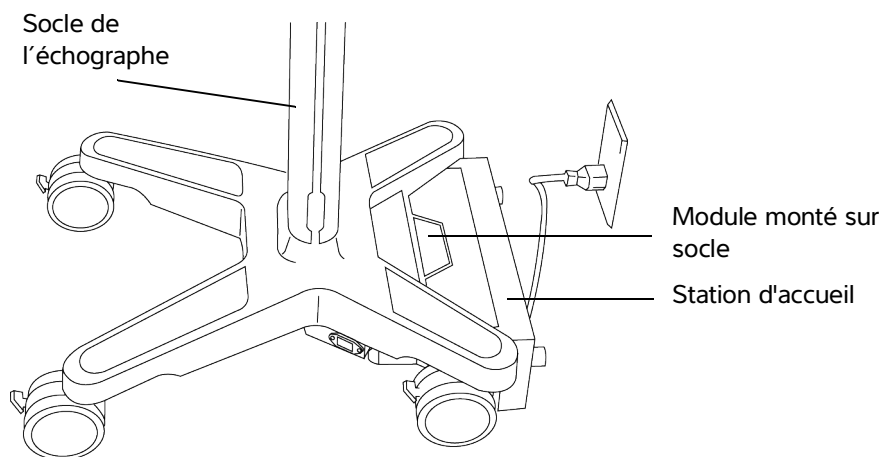


Figure 1 Le PowerPark comprend deux composants principaux.

Raccordement du socle à la station d'accueil

Pour raccorder le socle à la station d'accueil

- 1 Assurez-vous que le cordon d'alimentation est déconnecté du socle du système.

2 Faites rouler le socle en arrière dans la station d'accueil. Voir **Figure 2** page 40.

Le module du socle (sous le socle) s'encliquette en place une fois qu'il est connecté à la station d'accueil ; l'indicateur de connexion s'allume alors en vert.

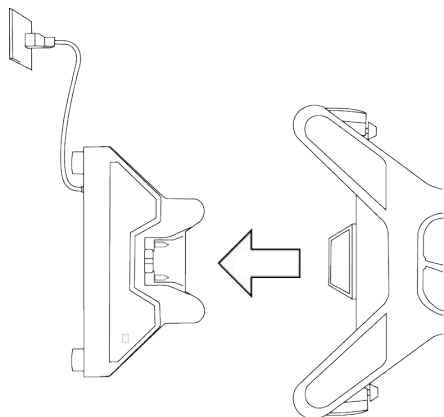


Figure 2 Faites rouler le socle dans la station d'accueil pour le connecter (illustré avec le socle H-Universal).

Pour déconnecter le socle de la station d'accueil

- 1 Assurez-vous que le cordon d'alimentation est déconnecté du socle du système.
- 2 Faites rouler le socle en l'éloignant de la station d'accueil. L'indicateur de connexion s'éteint.

Pour un raccordement manuel à l'alimentation secteur

Si nécessaire, vous pouvez vous raccorder manuellement à l'alimentation secteur, par exemple, pour utiliser un échographe dont la batterie est déchargée.

- ❖ Raccordez le cordon d'alimentation à la prise pour cordon d'alimentation du module du socle et à la prise électrique murale.

AVERTISSEMENT

Afin d'éviter tout risque d'électrocution, assurez-vous que le cordon d'alimentation est déconnecté du module du socle du PowerPark quand le socle se trouve dans la station d'accueil.

Mise en garde

Afin d'éviter les risques de chute, ne raccordez pas manuellement le cordon d'alimentation si le socle est dans la station d'accueil.

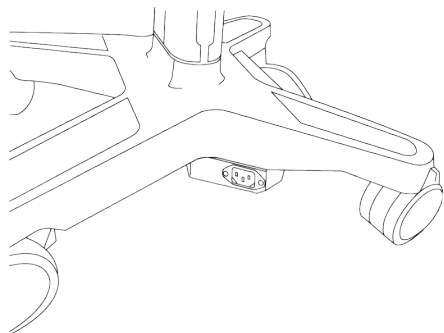


Figure 3 L'adaptateur secteur vous permet de vous raccorder manuellement à l'alimentation secteur (illustré avec le socle H-Universal).

Dépannage

Tableau 1 : Symptômes et solutions

Symptôme	Solution
La batterie PowerPark ne se recharge pas	<ul style="list-style-type: none"> ▶ Assurez-vous que la prise électrique est opérationnelle. ▶ Vérifiez que le disjoncteur de la station d'accueil est activé. ▶ Réinitialisez le disjoncteur du module du socle s'il a sauté. ▶ Assurez-vous que le module du socle est bien connecté à la station d'accueil.
Le module du socle ne se connecte pas à la station d'accueil	Assurez-vous que le sol est propre, plat et rigide. Évitez les moquettes épaisses.

Pour activer ou désactiver le disjoncteur de la station d'accueil

Le disjoncteur de la station d'accueil du PowerPark est généralement activé, mais saute en cas de problème électrique (par exemple, une surtension).

Le disjoncteur constitue un moyen de couper l'alimentation secteur.

- 1 Déconnectez le socle de la station d'accueil.
- 2 Débranchez le cordon d'alimentation de la prise murale et retirez le PowerPark en l'écartant du mur.

Le disjoncteur est maintenant accessible. Voir **Figure 4** page 42.

3 Appuyez sur le disjoncteur pour le régler sur la position souhaitée : **ACTIVÉ** (|) ou **DÉSACTIVÉ** (O).

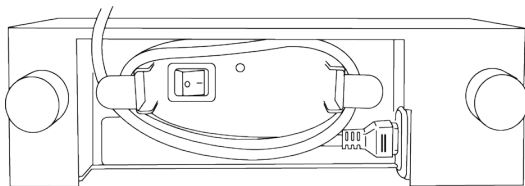


Figure 4 Le disjoncteur se trouve sur le côté appuyé contre le mur.

Pour réinitialiser les disjoncteurs du module du socle

Un ou les deux disjoncteurs du module du socle sautent en cas d'événement électrique (tel qu'une surtension) et vous devrez peut-être les réinitialiser.

- 1 Déconnectez le socle de la station d'accueil et retirez l'échographe et les éventuels accessoires non fixés.
- 2 Verrouillez les roulettes et inclinez le socle sur le côté pour pouvoir accéder à la partie inférieure.

AVERTISSEMENT

Pour le SonoSite X-Porte, nous vous recommandons de maintenir le système à la verticale et d'accéder aux disjoncteurs depuis le dessous. Vous pourriez vous blesser en inclinant le système.

3 Appuyez sur chaque disjoncteur jusqu'à ce qu'il se ferme. Voir [Figure 5](#) page 43.

- ▶ Sur un disjoncteur correctement fermé, le commutateur est enfoncé.
- ▶ Sur un disjoncteur qui a sauté, le commutateur est relevé et laisse apparaître une zone en plastique blanc.

Remarque

Si vous ne pouvez pas enfoncer le commutateur et si aucune zone blanche n'est exposée, le disjoncteur est fermé.

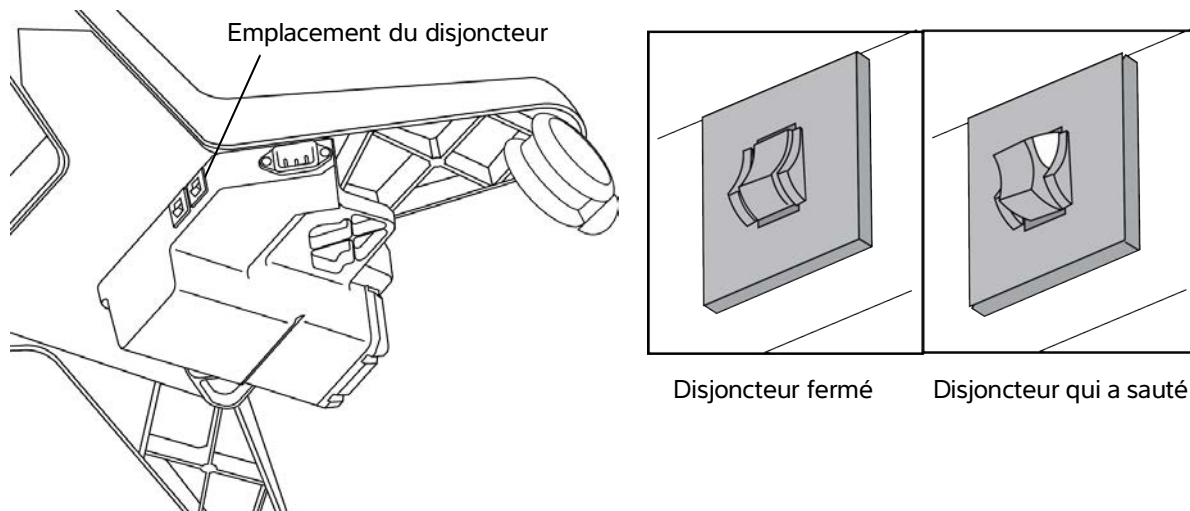


Figure 5 Les disjoncteurs du module du socle se trouvent sous le socle.

Nettoyage et désinfection

AVERTISSEMENTS

- ▶ Afin d'éviter les risques de décharge électrique, avant toute opération de nettoyage, déconnectez toujours la station d'accueil PowerPark de l'alimentation secteur.
- ▶ Pour éviter les risques de blessure, portez toujours des lunettes et des gants de protection pour effectuer les opérations de nettoyage et de désinfection.
- ▶ Pour éviter les risques d'infection :
 - ▶ Assurez-vous que la date de péremption de la solution n'est pas dépassée.
 - ▶ Le niveau de désinfection requis pour un produit dépend du type de liquide corporel ou de tissu avec lesquels il entre en contact pendant l'utilisation. Assurez-vous que la puissance de la solution et la durée du contact sont appropriées pour l'équipement. Pour plus d'informations, voir les instructions figurant sur l'étiquette du désinfectant et les recommandations de l'Association for Professionals in Infection Control and Epidemiology (Association des professionnels du contrôle des infections et de l'épidémiologie) (APIC) et de la FDA.

Mise en garde

Sur les surfaces, utilisez exclusivement des produits de nettoyage ou désinfectants recommandés. Les désinfectants de type à immersion ne sont pas testés pour une utilisation sur les surfaces.

Pour nettoyer et désinfecter le module du socle du PowerPark

Chaque fois que vous nettoyez le socle du système, veillez à nettoyer également le module du socle PowerPark qui y est fixé.

Vous pouvez nettoyer et désinfecter la surface extérieure du module du socle du PowerPark à l'aide d'un produit de nettoyage ou d'un désinfectant recommandé. Pour obtenir la liste la plus récente des produits approuvés, voir comment *Nettoyer et désinfecter des produits FUJIFILM SonoSite*, sur www.sonosite.com.

Mise en garde

Ne laissez pas la solution de nettoyage ou de désinfection entrer en contact avec les connecteurs électriques du PowerPark.

- 1 Mettez l'échographe et les éventuels accessoires hors tension. Déconnectez le socle de la station d'accueil PowerPark ou débranchez le cordon d'alimentation.
- 2 Nettoyez les surfaces du module du socle pour éliminer les éventuels débris ou liquides corporels. Procédez comme suit :
 - a Utilisez une lingette humide ou un chiffon doux imbibé de produit de nettoyage ou de désinfectant.
 - b Retirez tout le gel, les débris et les liquides corporels du module du socle du PowerPark.
- 3 Avec une lingette propre, nettoyez toutes les parties du module du socle PowerPark en passant des zones propres vers les zones sales. Cette méthode permet d'éviter les contaminations croisées.

Suivez les instructions du fabricant du produit chimique concernant la température et la durée de contact avec l'humidité. Inspectez les pièces du PowerPark en cherchant les traces d'humidité et repassez une nouvelle lingette sur les parties sèches.

- 4 Laissez le module du socle du PowerPark sécher à l'air libre dans un espace propre et bien ventilé.

Pour nettoyer la station d'accueil du PowerPark

Nettoyez la station d'accueil du PowerPark régulièrement, ou chaque fois qu'elle semble sale ou entre en contact avec des matières biologiques ou des liquides corporels.

Mise en garde

Ne laissez pas la solution de nettoyage ou de désinfection entrer en contact avec les connecteurs électriques du PowerPark.

- 1 Déconnectez le socle de la station d'accueil, puis débranchez la station d'accueil PowerPark de la prise électrique.
- 2 Nettoyez les surfaces extérieures de la station d'accueil PowerPark pour éliminer les éventuels débris ou liquides corporels. Utilisez une lingette humide ou un chiffon doux imbibé de produit de nettoyage ou de désinfectant.
- 3 Avec une lingette propre, nettoyez toutes les parties de la station d'accueil PowerPark en passant des zones propres vers les zones sales. Cette méthode permet d'éviter les contaminations croisées.

Suivez les instructions du fabricant du produit chimique concernant la température et la durée de contact avec l'humidité. Surveillez les pièces du PowerPark en cherchant les traces d'humidité et repassez une nouvelle lingette sur les parties qui ont séché.

4 Laissez la station d'accueil PowerPark sécher à l'air libre dans un espace propre et bien ventilé.

Sécurité

Pour une sécurité maximale, respectez l'ensemble des avertissements et mises en garde figurant dans cette section.

Sécurité électrique

Tableau 2 : Classification de sécurité électrique

Équipement de Classe I	Le PowerPark est classé comme un équipement de Classe I.
Non AP/APG	Le PowerPark n'est pas adapté à une utilisation en présence d'anesthésiants inflammables.

AVERTISSEMENTS

- ▶ Pour éviter les risques de décharge électrique :
 - ▶ Ne branchez pas le cordon d'alimentation de la station d'accueil PowerPark ou du module du socle PowerPark sur une multiprise et n'utilisez pas de rallonge électrique.
 - ▶ Assurez-vous que le cordon d'alimentation est déconnecté du module du socle du PowerPark quand le socle se trouve dans la station d'accueil.
- ▶ Afin d'éviter le risque de décharge électrique, voire d'incendie :
 - ▶ Utilisez uniquement un équipement correctement relié à la terre. Des risques de décharge électrique existent si le module d'alimentation n'est pas correctement relié à la terre. La fiabilité de la mise à la terre ne peut être obtenue que si l'équipement est connecté à une prise murale portant l'indication « Hôpital uniquement », « Qualité hôpital » ou équivalente. Le fil de terre ne doit pas être retiré ou court-circuité.
 - ▶ Utilisez uniquement des accessoires et des périphériques recommandés par FUJIFILM SonoSite, y compris pour le module d'alimentation. Utilisez le PowerPark uniquement dans les limites de tension et de puissance spécifiées sur l'étiquette de classe électrique.
 - ▶ Inspectez régulièrement le bloc d'alimentation, les prises, les câbles et les cordons d'alimentation pour vérifier qu'ils ne sont pas endommagés.
 - ▶ Ne placez pas la station d'accueil PowerPark dans un environnement humide.
- ▶ Pour éviter tout dysfonctionnement du système et le risque de décharge électrique, respectez les instructions de montage du PowerPark.

Sécurité de l'équipement

- Mises en garde**
- ▶ Plier ou tordre excessivement les câbles peut provoquer une défaillance ou un fonctionnement intermittent.
 - ▶ Mal nettoyer ou désinfecter toute partie des accessoires et des périphériques peut provoquer des dommages permanents. Pour obtenir des instructions relatives au nettoyage et à la désinfection, voir comment *Nettoyer et désinfecter des produits FUJIFILM SonoSite*, sur www.sonosite.com.

Compatibilité électromagnétique (EMC)

Reportez-vous à la section Sécurité du guide d'utilisation de l'échographe pour plus d'informations sur la compatibilité électromagnétique avec la norme CEI 60601-1-2, y compris à la déclaration du fabricant.

Décharge électrostatique

AVERTISSEMENTS

S'ils ne respectent pas les procédures de précaution contre les décharges électrostatiques, tous les utilisateurs et membres du personnel doivent être invités à ne pas entrer en contact ou toucher (avec leur corps ou avec des outils manuels) les broches des connecteurs portant le symbole caractéristique des appareils sensibles aux décharges électrostatiques.



Si le symbole se trouve sur une bordure entourant plusieurs connecteurs, il concerne l'ensemble des connecteurs situés dans ce périmètre.

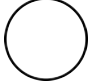
Les mesures de précaution contre les décharges électrostatiques comprennent :

- ▶ Une formation au sujet des décharges électrostatiques, y compris (au minimum) : une présentation des principes physiques de la charge électrostatique, des niveaux de tension qui peuvent être présents dans la pratique normale et des dommages qui peuvent survenir aux composants électroniques si l'équipement est touché par une personne portant une charge électrostatique.
- ▶ La prévention de l'accumulation de charge électrostatique ; par exemple, l'utilisation d'une humidification, de tapis de sol conducteurs, de vêtements non synthétiques, d'ioniseurs et la réduction au minimum des matériaux isolants.
- ▶ Reliez-vous à la terre pour décharger toute charge électrostatique. Portez un bracelet antistatique pour vous relier à la terre.

Symboles d'étiquetage

Pour obtenir plus d'informations sur les symboles utilisés, voir l'aide intégrée à l'échographe ou le guide d'utilisation.

Symbole	Définition
	Suivez les instructions d'utilisation
	Appareils sensibles aux décharges électrostatiques
	Apposé sur un dispositif de Classe I, indiquant la déclaration de conformité du fabricant à l'Annexe VII de la directive 93/42/CEE.
	Attention, reportez-vous au guide d'utilisation.
 	Collecter séparément des déchets ménagers (voir la Directive de la Commission Européenne 93/86/CEE). Reportez-vous aux réglementations locales en ce qui concerne l'élimination
	Logo de contrôle de la pollution. (S'applique à toutes les pièces/tous les produits répertoriés dans le tableau de divulgation RoHS Chine. Peut ne pas figurer sur l'extérieur de certaines parties/certains produits en raison des contraintes d'espace.)
	Fabricant, ou Fabricant et date de fabrication
	Courant alternatif
	Mise à la terre de protection
	Activé (sous tension)

Symbole	Définition
	Désactivé (hors tension)

Spécifications

Dimensions

Les dimensions approximatives de la station PowerPark sont les suivantes :

- ▶ Largeur : 38,1 cm
- ▶ Profondeur : 12,4 cm
- ▶ Longueur : 12,4 cm
- ▶ Poids (cordon inclus) : 5,1kg

Limites environnementales

Fonctionnement : 10 à 40 °C ; 15 à 95 % H.R. ; 700 à 1060 hPa

Transport/stockage : -35 à 65 °C ; 15 à 95 % H.R. ; 500 à 1060 hPa

Alimentation électrique

Entrée électrique de la station PowerPark : 100 à 240 V c.a., 50/60 Hz, 8 à 3,3 A

Entrée électrique du module de connexion PowerPark : 100 à 240 V c.a., 50/60 Hz, 8 à 3,3 A

Sommario

Introduzione	49
Convenzioni della documentazione	49
Modifiche apportate alla presente versione -03	50
Aiuti	50
Informazioni sul PowerPark	51
Docking del supporto	51
Risoluzione dei problemi	53
Pulizia e disinfezione	55
Sicurezza	57
Sicurezza elettrica	57
Sicurezza dell'apparecchiatura	58
Compatibilità elettromagnetica (EMC)	58
Scarica elettrostatica	58
Simboli delle etichette	59
Caratteristiche tecniche	60

Introduzione

Il *Manuale dell'utente PowerPark* spiega come usare, pulire e disinfettare il PowerPark. Fornisce inoltre informazioni e specifiche sulla sicurezza. Per connettere o rimuovere il PowerPark dal supporto, fare riferimento alle *istruzioni di montaggio di PowerPark*. Per informazioni sul supporto o sul sistema ecografico, consultare il manuale dell'utente o la guida integrata nel sistema ecografico.

AVVERTENZA

Per evitare il rischio di lesioni al paziente, errate diagnosi o lesioni all'operatore, leggere tutte le avvertenze contenute nel manuale dell'utente, i supplementi o la guida integrata nel sistema ecografico.

Convenzioni della documentazione

Nel documento vengono utilizzate le seguenti convenzioni:

- ▶ Le note di **AVVERTENZA** descrivono le precauzioni necessarie per evitare lesioni o il decesso.
- ▶ Le note di **Attenzione** descrivono le precauzioni necessarie per evitare danni ai prodotti.
- ▶ Una **Nota** fornisce ulteriori informazioni.
- ▶ Le fasi numerate o marcate con lettera vanno eseguite nell'ordine specificato.
- ▶ Gli elenchi puntati presentano le informazioni in formato elenco; tuttavia, ciò non implica necessariamente una sequenza.

Per una descrizione dei simboli delle etichette presenti sul prodotto, consultare **“Simboli delle etichette”** a pagina 59.

Modifiche apportate alla presente versione -03

Funzione	Descrizione
Design migliorato	Le modifiche apportate al design della stazione e del gruppo montato sul supporto richiedono modifiche alla procedura per il reset degli interruttori. Per ulteriori informazioni, consultare “Per ripristinare i salvavita del modulo di supporto” a pagina 54.
Aggiornamento delle istruzioni sulla pulizia e sulla disinfezione	Le istruzioni su pulizia e disinfezione sono state aggiornate per renderle compatibili con le linee guida più recenti dell'FDA. Per ulteriori informazioni, consultare “Pulizia e disinfezione” a pagina 55.

Aiuti

Per assistenza tecnica, contattare FUJIFILM SonoSite come segue:

Telefono (USA o Canada)	+1-877-657-8118
Telefono (altri Paesi)	+1-425-951-1330, oppure rivolgersi al rappresentante locale
Fax	+1-425-951-6700
E-mail	ffss-service@fujifilm.com
Internet	www.sonosite.com
Centro di assistenza per l'Europa	Principale: +31 20 751 2020 Assistenza in lingua inglese: +44 14 6234 1151 Assistenza in lingua francese: +33 1 8288 0702 Assistenza in lingua tedesca: +49 69 8088 4030 Assistenza in lingua italiana: +39 02 9475 3655 Assistenza in lingua spagnola: +34 91 123 8451
Centro di assistenza per l'Asia	+65 6380-5581

Stampato negli USA.

Informazioni sul PowerPark

PowerPark è una docking station di alimentazione per il sistema ecografico SonoSite X-Porte, il supporto SonoSite SII, il supporto SonoSite Edge, il supporto V-Universal e il supporto H-Universal. Consente di effettuare il docking del supporto, senza collegare manualmente il cavo di alimentazione, per caricare la batteria PowerPack (se presente) e il sistema ecografico.

PowerPark comprende due parti: la stazione (che rimane sul pavimento contro la parete) e il modulo montato sul supporto (che si fissa alla parte inferiore del supporto).

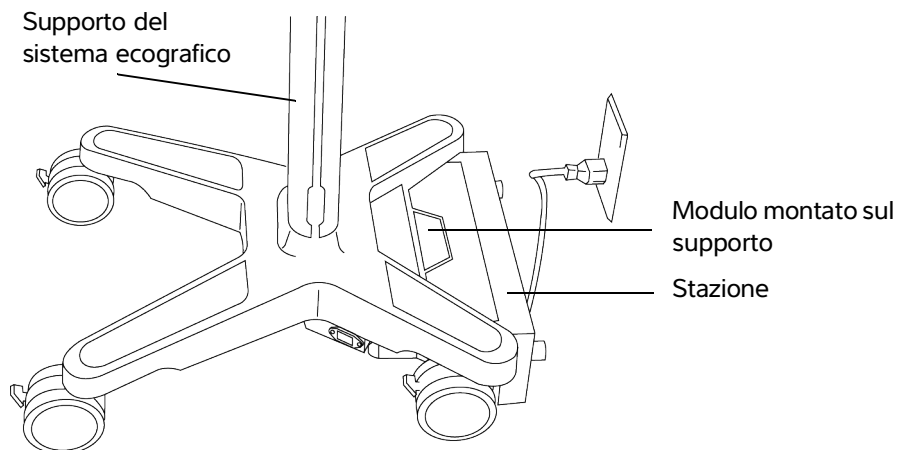


Figura 1 PowerPark comprende due componenti principali.

Docking del supporto

Per effettuare il docking del supporto

- 1 Assicurarsi che il cavo di alimentazione CA sia scollegato dal supporto del sistema.

2 Portare il supporto indietro nella stazione. Consultare **Figura 2** a pagina 52.

Il modulo di supporto (sul lato inferiore del supporto) scatta in posizione quando si collega con la stazione e l'indicatore di collegamento è di colore verde.

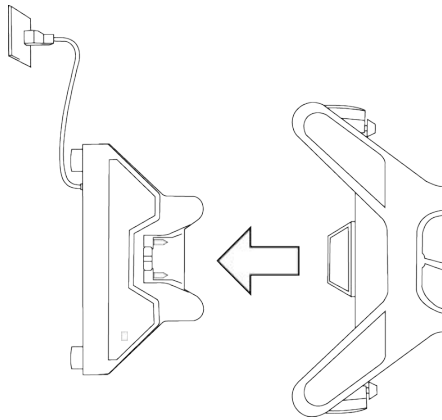


Figura 2 Portare il supporto nella stazione per collegarlo (illustrato con il supporto H-Universal).

Per sganciare il supporto dalla stazione

- 1 Assicurarsi che il cavo di alimentazione CA sia scollegato dal supporto del sistema.
- 2 Allontanare il supporto dalla stazione. L'indicatore di connessione si spegne.

Per collegare manualmente all'alimentazione CA

Se necessario, è possibile collegare manualmente il sistema all'alimentazione, ad esempio, se si desidera utilizzarlo nonostante la batteria scarica.

- ❖ Collegare il cavo di alimentazione del sistema alla presa CA sul modulo di supporto e alla presa elettrica.

AVVERTENZA

Per evitare il rischio di scosse elettriche, assicurarsi che il cavo di alimentazione CA sia scollegato dal modulo del supporto PowerPark quando il supporto è alloggiato.

Attenzione

Per evitare il rischio di far scattare il salvavita, non collegarlo alla rete elettrica manualmente se il supporto è nella docking station.

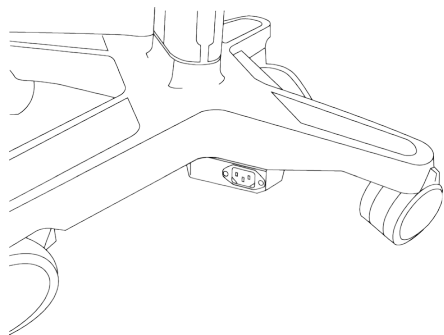


Figura 3 L'adattatore CA consente il collegamento manuale all'alimentazione CA (illustrato con il supporto H-Universal).

Risoluzione dei problemi

Tabella 1: Problemi e soluzioni

Problema	Soluzione
PowerPark non ricarica la batteria	<ul style="list-style-type: none"> ▶ Assicurarsi che la presa elettrica sia alimentata. ▶ Assicurarsi che il salvavita della stazione sia acceso. ▶ Resetare il salvavita del modulo di supporto se scattato. ▶ Assicurarsi che il modulo di supporto sia completamente collegato alla stazione.
Il modulo del supporto non si collega alla stazione	Assicurarsi che il pavimento sia pulito, in piano e rigido. Evitare la moquette spessa.

Accensione e spegnimento del salvavita della stazione

Il salvavita sulla stazione PowerPark è in genere impostato su ON, ma scatta in presenza un evento di alimentazione (ad esempio, sbalzo di tensione).

Il salvavita è un mezzo di disconnessione dalla rete elettrica.

- 1 Sgancio del supporto dalla stazione.
- 2 Scollegare il cavo di alimentazione dalla presa a parete e allontanare la stazione PowerPark dalla parete.

Il salvavita è ora accessibile. Consultare **Figura 4** a pagina 54.

3 Portare il salvavita nella posizione desiderata: **ATTIVO** (|) o **NON ATTIVO** (O).

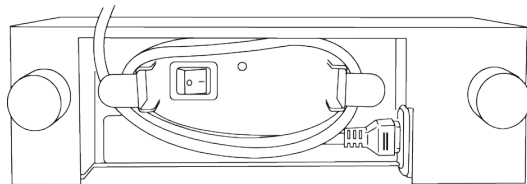


Figura 4 Il salvavita della stazione è sul lato verso la parete.

Per ripristinare i salvavita del modulo di supporto

Uno o entrambi i salvavita sul modulo di supporto scattano in presenza di un evento di alimentazione (ad esempio, sbalzo di potenza) e potrebbero dover essere resettati.

- 1** Sganciare il supporto dalla stazione, e rimuovere il sistema per ecografia e tutti i componenti staccati.
- 2** Bloccare le ruote e inclinare il supporto su un lato, per consentire l'accesso alla sua parte inferiore.

AVVERTENZA

Per SonoSite X-Porte, si raccomanda di tenere il sistema in posizione diritta e di accedere ai salvavita dalla parte posteriore. Il ribaltamento del sistema potrebbe provocare lesioni.

3 Premere l'interruttore di ogni salvavita finché non si chiude. Consultare **Figura 5** a pagina 55.

- ▶ Su un salvavita chiuso correttamente, l'interruttore è premuto.
- ▶ Su un salvavita scattato, l'interruttore è sollevato ed espone una zona bianca di plastica.

Nota

Se non è possibile orientare verso il basso l'interruttore e non viene mostrata nessun'area bianca, il salvavita non è chiuso.

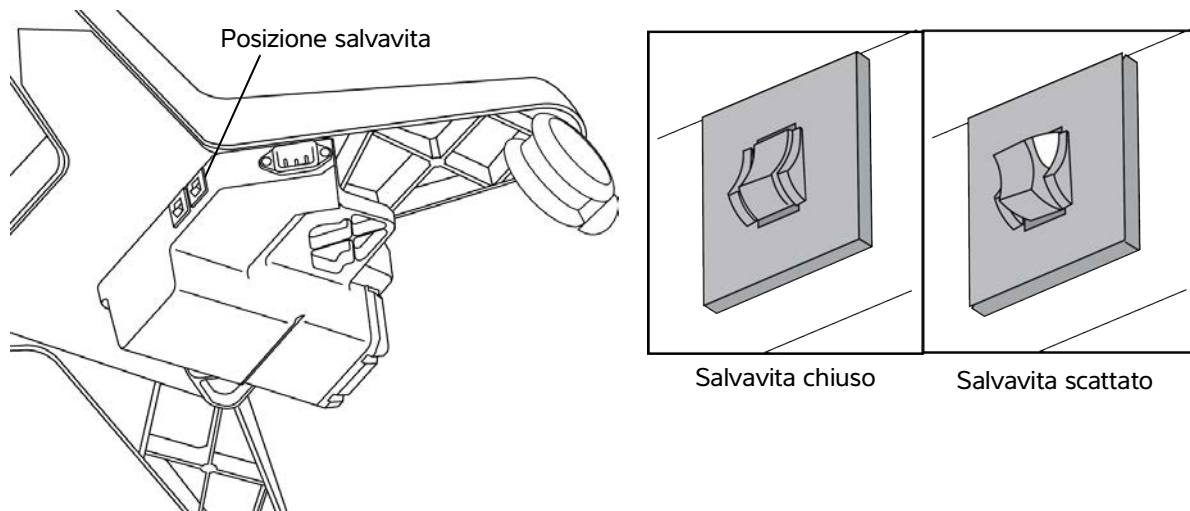


Figura 5 I salvavita del modulo di supporto sono sul lato inferiore del supporto.

Pulizia e disinfezione

AVVERTENZAS

- ▶ Per evitare scosse elettriche, prima di pulire la stazione PowerPark scollegarla sempre dall'alimentazione CA.
- ▶ Durante le operazioni di pulizia e disinfezione, indossare sempre occhiali di protezione e guanti per evitare lesioni.
- ▶ Per evitare infezioni:
 - ▶ Assicurarsi la data di scadenza del disinfettante non sia stata superata.
 - ▶ Il grado di disinfezione necessario per un prodotto dipende dal tipo di fluidi corporei o tessuto con cui entra in contatto durante l'uso. Verificare in particolare che la formula della soluzione e la durata del contatto siano adatte per l'apparecchiatura. Per ulteriori informazioni, fare riferimento alle istruzioni che si trovano sull'etichetta del disinfettante e alle direttive della Association for Professionals in Infection Control and Epidemiology (APIC) e della FDA.

Attenzione

Usare solo i prodotti di pulizia e disinfezione consigliati per le superfici. I disinfettanti a immersione non sono stati testati per l'uso sulle superfici.

Per pulire e disinfettare il modulo di supporto PowerPark

Quando si pulisce il supporto del sistema, assicurarsi di pulire anche il modulo di supporto PowerPark relativo.

La superficie esterna del modulo di supporto PowerPark deve essere pulita e disinfettata con uno dei detergenti o disinfettanti consigliati. Per l'elenco più recente dei prodotti approvati, consultare *Pulizia e disinfezione dei prodotti FUJIFILM SonoSite*, disponibile all'indirizzo www.sonosite.com.

Attenzione | Evitare che la soluzione di pulizia o disinfezione entri in contatto con i connettori elettrici PowerPark.

- 1 Spegnere il sistema ecografico e le apparecchiature accessorie. Scollegare il supporto dalla stazione PowerPark o scollegare il cavo di alimentazione.
- 2 Pulire le superfici del modulo di supporto per rimuovere eventuali detriti o fluidi corporei. Utilizzare la procedura riportata di seguito:
 - a Usare una salvietta pre-imbevuta o un panno morbido inumidito con il detergente o il disinfettante.
 - b Rimuovere gel, detriti e fluidi corporei dal modulo di supporto PowerPark.
- 3 Con un nuovo panno, pulire tutte le parti del modulo di supporto PowerPark passando dalle aree pulite verso le superfici sporche. Questo metodo permette di evitare la contaminazione incrociata.

Per quanto riguarda la temperatura e il tempo di contatto della soluzione, seguire le istruzioni del produttore della sostanza chimica. Controllare i componenti del PowerPark per verificare che siano bagnati e riapplicare un nuovo panno nel caso in cui non fossero più bagnati.

- 4 Lasciare asciugare il modulo di supporto PowerPark in un luogo pulito e ben ventilato.

Per pulire la stazione PowerPark

Pulire la stazione PowerPark periodicamente o ogniqualvolta appaia sporca o entri in contatto con materiale biologico o fluidi corporei.

Attenzione | Evitare che la soluzione di pulizia o disinfezione entri in contatto con i connettori elettrici PowerPark.

- 1 Sbloccare il supporto e scollegare la stazione PowerPark dall'alimentazione CA.
- 2 Pulire la superficie esterna della stazione PowerPark per rimuovere eventuali detriti o fluidi corporei. Usare una salvietta pre-imbevuta o un panno morbido inumidito con il detergente o il disinfettante.

- 3 Con un nuovo panno, pulire tutte le parti della stazione PowerPark passando dalle aree pulite verso le superfici sporche. Questo metodo permette di evitare la contaminazione crociata.

Per quanto riguarda la temperatura e il tempo di contatto della soluzione, seguire le istruzioni del produttore della sostanza chimica. Controllare i componenti del PowerPark per verificare che siano bagnati e riapplicare un nuovo panno nel caso in cui non fossero più bagnati.

- 4 Lasciare asciugare la stazione PowerPark all'aria in un luogo pulito e ben ventilato.

Sicurezza

Per garantire la massima sicurezza, osservare tutte le avvertenze e le attenzioni riportate in questa sezione.

Sicurezza elettrica

Tabella 2: Classificazione della sicurezza elettrica

Apparecchiatura di Classe I	PowerPark è classificato come apparecchiatura di Classe I.
Non AP/APG	PowerPark non è adatto all'uso in presenza di anestetici infiammabili.

AVVERTENZE

- ▶ Per evitare il rischio di scosse elettriche:
 - ▶ Non collegare il cavo di alimentazione della stazione PowerPark o del modulo di supporto PowerPark a una presa multipla mobile o a un cavo di prolunga.
 - ▶ Assicurarsi che il cavo di alimentazione CA sia scollegato dal modulo del supporto PowerPark quando il supporto è alloggiato.
- ▶ Per evitare il rischio di scossa elettrica e di un eventuale incendio:
 - ▶ Utilizzare solo apparecchi correttamente collegati a terra. Se l'alimentatore non è correttamente collegato a terra, esiste il rischio di scosse elettriche. L'affidabilità della messa a terra è garantita dal collegamento dell'apparecchio a prese di corrente per uso ospedaliero o equivalente. Il cavo di terra non deve essere rimosso o escluso.
 - ▶ Utilizzare solo accessori e periferiche consigliati da FUJIFILM SonoSite, inclusa l'alimentazione. Utilizzare il PowerPark solo nei limiti di tensione e corrente specificati sull'etichetta dei dati tecnici.
 - ▶ Ispezionare regolarmente l'alimentazione elettrica, le spine, i cavi e i cavi di alimentazione per escludere la presenza di danni.
 - ▶ Non posizionare la stazione PowerPark in un ambiente umido.
- ▶ Per evitare problemi di funzionamento del sistema e il rischio di scosse elettriche, attenersi alle istruzioni di montaggio di PowerPark.

Sicurezza dell'apparecchiatura

- Attenzione**
- ▶ Se piegati eccessivamente o attorcigliati, i cavi possono provocare errori o discontinuità nel funzionamento del sistema.
 - ▶ La pulizia e la disinfezione non appropriate dei componenti di accessori e periferiche possono causare danni permanenti. Per istruzioni sulla pulizia e la disinfezione, consultare la sezione *Pulizia e disinfezione dei prodotti FUJIFILM SonoSite*, disponibile all'indirizzo www.sonosite.com.

Compatibilità elettromagnetica (EMC)

Per informazioni sulla compatibilità elettromagnetica con lo standard IEC 60601-1-2, inclusa la dichiarazione del produttore, vedere la sezione relativa alla sicurezza del Manuale dell'utente del sistema ecografico.

Scarica elettrostatica

AVVERTENZE

A meno che non si seguano le procedure precauzionali ESD, tutti gli utenti e il personale devono essere istruiti a non connettersi o toccare (con il corpo o utensili a mano) i pin dei connettori che recano il simbolo di dispositivi sensibili ESD:













Se il simbolo è su un confine che circonda connettori multipli, il simbolo si riferisce a tutti i connettori all'interno del confine.

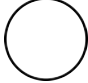
Le procedure precauzionali ESD includono:

- ▶ Ricevere formazione sulle ESD, tra cui almeno: introduzione alla fisica delle cariche elettrostatiche, i livelli di tensione che possono verificarsi nella pratica normale e il danno che può verificarsi ai componenti elettronici se l'apparecchiatura viene toccata da un individuo caricato elettrostaticamente.
- ▶ Prevenire l'accumulo di scariche elettrostatiche; ad esempio, utilizzare l'umidificazione, rivestimenti per pavimenti conduttivi, abiti non sintetici, ionizzatori, e riducendo al minimo i materiali isolanti.
- ▶ Collegarsi a terra per scaricare eventuale carica statica. Indossare un polsino per collegarsi a terra.

Simboli delle etichette

Per ulteriori simboli delle etichette utilizzati, consultare la guida integrata nel sistema ecografico o il manuale dell'utente.

Simbolo	Definizione
	Seguire le istruzioni per l'uso.
	Dispositivi sensibili alle scariche elettrostatiche.
	Simbolo presente sui dispositivi di Classe 1 a indicare la dichiarazione di conformità del produttore all'Appendice VII della direttiva 93/42/CEE.
	Attenzione: consultare il Manuale dell'utente.
	Smaltire separatamente da altri rifiuti comuni (consultare la direttiva della Commissione europea 93/86/CEE). Fare riferimento alle normative locali vigenti in materia di smaltimento dei rifiuti.
	Logo Controllo sull'inquinamento. (Valido per qualsiasi parte/prodotto elencato nella tabella di rivelazione della RoHS cinese. Potrebbe non apparire sulla superficie esterna di alcuni parti/prodotti a causa di limitazioni di spazio).
	Produttore o Produttore e data di fabbricazione
	Corrente alternata
	Terra di protezione (messa a terra)
	Attivo (alimentazione)

Simbolo	Definizione
	Non attivo (alimentazione)

Caratteristiche tecniche

Dimensioni

Dimensioni approssimative della stazione PowerPark:

- ▶ Larghezza: 38,1 cm
- ▶ Profondità: 12,4 cm
- ▶ Lunghezza: 12,4 cm
- ▶ Peso (incluso il cavo): 5,1 kg

Limiti ambientali

Temperatura di funzionamento: da 10 a 40 °C; con umidità relativa dal 15 al 95%; da 700 hPa a 1060 hPa

Spedizione/conservazione: da -35 a 65 °C; con umidità relativa dal 15 al 95%; da 500 hPa a 1060 hPa

Caratteristiche elettriche

Alimentazione di ingresso stazione PowerPark: 100 a 240 VCA, 50/60 Hz, 8 a 3,3 A

Alimentazione di ingresso modulo di supporto PowerPark: 100 a 240 VCA, 50/60 Hz, 8 a 3,3 A

Índice

Introdução	61
Convenções do documento	61
Mudanças nesta versão –03	62
Para obter ajuda	62
Sobre o PowerPark	63
Acoplando o pedestal	63
Solução de problemas	65
Limpeza e desinfecção	67
Segurança	69
Segurança elétrica	69
Segurança do Equipamento	70
Compatibilidade eletromagnética (CEM)	70
Descarga eletrostática	70
Identificação dos símbolos	71
Especificações	72

Introdução

O *Manual do Usuário do PowerPark* explica como usar, limpar e desinfetar o PowerPark. Ele também fornece informações sobre segurança e especificações. Para acoplar ou remover o PowerPark do pedestal, consulte as *Instruções de Montagem do PowerPark*. Para obter informações sobre o pedestal ou o sistema de ultrassom, consulte o manual do usuário ou a ajuda integrada do sistema de ultrassom.

AVISO

Para evitar o risco de ferimentos ao paciente, diagnósticos incorretos ou ferimentos ao usuário, leia todos os avisos constantes no manual do usuário, nos manuais adicionais ou na ajuda integrada do sistema de ultrassom.

Convenções do documento

O documento segue estas convenções:

- ▶ Um **AVISO** descreve as precauções necessárias para evitar ferimentos ou morte.
- ▶ Um aviso de **Cuidado** descreve as precauções necessárias para proteger os produtos.
- ▶ Uma **Observação** fornece informações complementares.
- ▶ As etapas numeradas e organizadas por letras devem ser realizadas em uma ordem específica.
- ▶ As listas com marcadores apresentam informações em formato de lista, mas não implicam uma sequência.

Para ver a descrição dos símbolos de etiquetas que aparecem no produto, consulte “**Identificação dos símbolos**” na página 71.

Mudanças nesta versão -03

Recurso	Descrição
Design melhorado	As mudanças de design na unidade de acoplamento e o conjunto montado no pedestal necessitam de mudanças no processo de rearmamento dos disjuntores. Para obter mais informações, consulte “Para rearmar os disjuntores do módulo do pedestal” na página 66.
Instruções de limpeza e de desinfecção atualizadas	As instruções de limpeza e de desinfecção foram atualizadas para garantir a conformidade com as diretrizes mais recentes da FDA. Para obter mais informações, consulte “Limpeza e desinfecção” na página 67.

Para obter ajuda

Para assistência técnica, entre em contato com a FUJIFILM SonoSite das seguintes formas:

Telefone (EUA ou Canadá)	+1-877-657-8118
Telefone (fora dos EUA ou do Canadá)	+1-425-951-1330 ou ligue para seu representante local
Fax	+1-425-951-6700
E-mail	ffss-service@fujifilm.com
Web	www.sonosite.com
Centro de manutenção da Europa	Principal: +31 20 751 2020 Suporte em inglês: +44 14 6234 1151 Suporte em francês: +33 1 8288 0702 Suporte em alemão: +49 69 8088 4030 Suporte em italiano: +39 02 9475 3655 Suporte em espanhol: +34 91 123 8451
Centro de manutenção da Ásia	+65 6380-5581

Impresso nos EUA.

Sobre o PowerPark

O PowerPark é uma estação de acoplamento de alimentação para o sistema de ultrassom SonoSite X-Porte, o pedestal SonoSite SII, o pedestal SonoSite Edge, o Pedestal V-Universal e o Pedestal H-Universal. Ele permite acoplar o pedestal, sem conectar manualmente o cabo de alimentação, para carregar a bateria PowerPack (se estiver presente) e a bateria do sistema de ultrassom.

O PowerPark inclui duas peças: a unidade de acoplamento (que permanece no chão encostada na parede) e o módulo montado no pedestal (que é conectado à parte inferior do pedestal).

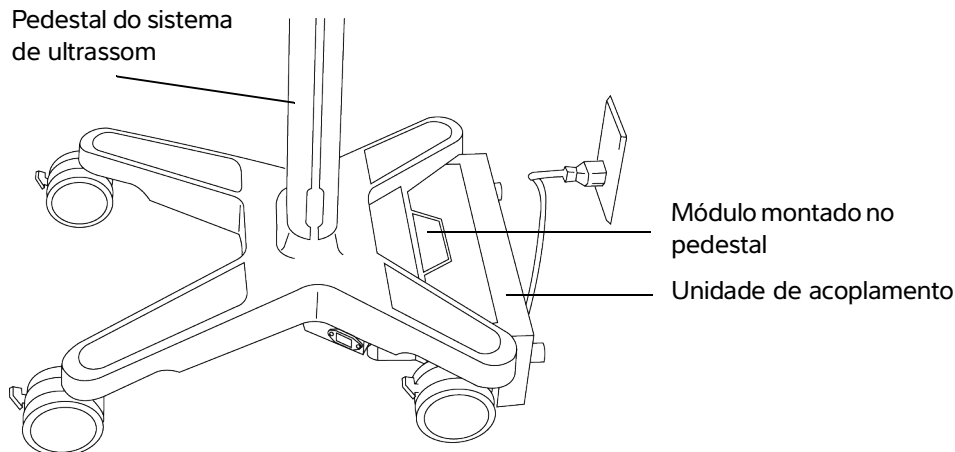


Figura 1 O PowerPark inclui dois componentes principais.

Acoplando o pedestal

Para acoplar o pedestal

- 1 Certifique-se de que o cabo de alimentação CA esteja desconectado do pedestal do sistema.

2 Empurre o pedestal para trás, em direção à unidade de acoplamento. Consulte **Figura 2** na página 64.

O módulo do pedestal (na parte inferior do pedestal) encaixa-se ao ser conectado à unidade de acoplamento e o indicador de conexão fica verde.

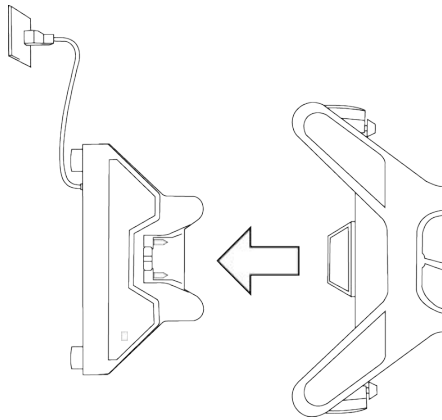


Figura 2 Empurre o pedestal em direção à unidade de acoplamento para conectá-lo (exibido com o Pedestal H-Universal).

Para desacoplar o pedestal

- 1 Certifique-se de que o cabo de alimentação CA esteja desconectado do pedestal do sistema.
- 2 Empurre o pedestal na direção oposta à da unidade de acoplamento. O indicador de conexão irá desligar.

Para conectar manualmente à alimentação CA

Se necessário, você poderá conectar o pedestal manualmente à alimentação CA; por exemplo, se for necessário utilizar o sistema apesar de a bateria estar descarregada.

- ❖ Conecte o cabo de alimentação do sistema à tomada do cabo de alimentação CA no módulo do pedestal e à tomada elétrica.

AVISO Para evitar o risco de choque elétrico, certifique-se de que o cabo de alimentação CA esteja desconectado do módulo de pedestal do PowerPark sempre que o pedestal estiver acoplado.

Cuidado Para evitar qualquer risco de desligamento, não conecte o cabo de alimentação CA manualmente caso o pedestal esteja acoplado.

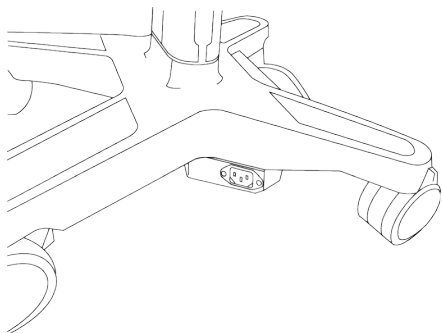


Figura 3 O adaptador CA permite a conexão manual à alimentação CA (exibido com o Pedestal H-Universal).

Solução de problemas

Tabela 1: Sintomas e soluções

Sintoma	Solução
O PowerPark não carrega a bateria	<ul style="list-style-type: none"> ▶ Verifique se a tomada elétrica fornece alimentação. ▶ Verifique se o disjuntor da unidade de acoplamento está armado. ▶ Rearme o disjuntor do módulo do pedestal caso tenha sido desarmado. ▶ Verifique se o módulo do pedestal está completamente conectado à unidade de acoplamento.
O módulo do pedestal não se conecta à unidade de acoplamento	Verifique se o piso está limpo, plano e rígido. Evite usar sobre tapetes espessos.

Para armar ou desarmar o disjuntor da unidade de acoplamento

Normalmente, o disjuntor da unidade de acoplamento do PowerPark fica na posição ON (armado), mas é desarmado em caso de algum incidente de energia (por exemplo, pico de energia).

Desarmar o disjuntor é uma forma de desconexão da energia.

- 1 Desacople o pedestal.
- 2 Desconecte o cabo de alimentação da tomada elétrica e puxe a unidade de acoplamento do PowerPark, afastando-a da parede.

O disjuntor pode ser acessado agora. Consulte a **Figura 4** na página 66.

3 Pressione o disjuntor na posição desejada: **ARMADO** (I) ou **DESARMADO** (O).

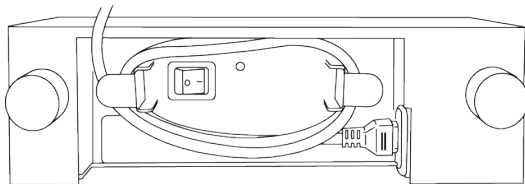


Figura 4 O disjuntor da unidade de acoplamento fica no lado voltado para a parede.

Para rearmar os disjuntores do módulo do pedestal

Um ou ambos os disjuntores do módulo do pedestal são desarmados em caso de algum problema elétrico (por exemplo, pico de energia) e podem precisar de substituição.

- 1 Desacople o pedestal e remova o sistema de ultrassom e qualquer item solto.
- 2 Trave as rodas e incline o pedestal para o lado, permitindo o acesso à sua parte inferior.

AVISO

Para o SonoSite X-Porte, recomendamos manter o sistema na posição vertical e acessar os disjuntores por baixo. Incliná-lo pode provocar ferimentos.

3 Pressione cada interruptor do disjuntor até ele fechar. Consulte a **Figura 5** na página 67.

- ▶ Em um disjuntor corretamente fechado, o interruptor chave fica pressionado para dentro.
- ▶ Em um disjuntor desarmado, o interruptor solta e expõe uma área plástica branca.

Observação

Se não for possível pressionar o interruptor para baixo e se não houver área branca exposta, o disjuntor estará fechado.

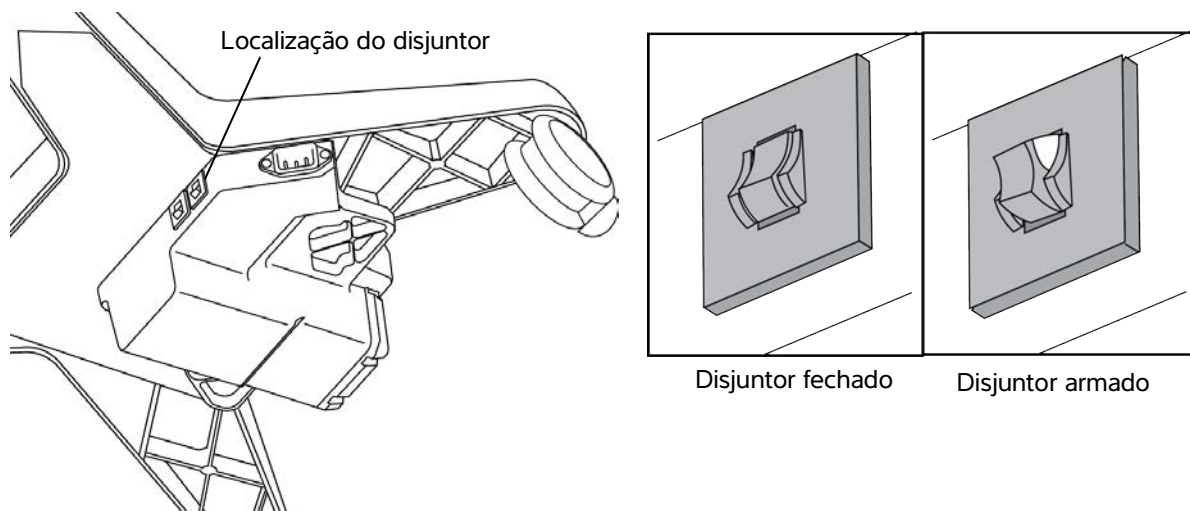


Figura 5 Os disjuntores do módulo do pedestal ficam na parte inferior do pedestal.

Limpeza e desinfecção

AVISOS

- ▶ Para evitar choque elétrico, sempre desconecte a unidade de acoplamento do PowerPark da alimentação CA antes de limpá-lo.
- ▶ Para evitar ferimentos, sempre use óculos e luvas de proteção ao executar os procedimentos de limpeza e de desinfecção.
- ▶ Para evitar infecções:
 - ▶ Certifique-se de que a solução ainda esteja em seu prazo de validade.
 - ▶ O nível de desinfecção necessário para um produto dependerá do tipo de fluidos corporais ou de tecido com o qual ele entrará em contato durante o uso. Verifique se o nível de concentração da solução e a duração do contato são adequados para o equipamento. Para obter informações, consulte as instruções no rótulo do desinfetante e as recomendações da APIC (Association for Professionals in Infection Control and Epidemiology) e da FDA.

Cuidado

Nas superfícies, use apenas produtos de limpeza ou desinfetantes recomendados. O uso de desinfetantes de imersão não foi testado nas superfícies do sistema.

Para limpar e desinfetar o módulo pedestal do PowerPark

Sempre que limpar o pedestal do sistema, certifique-se de limpar também o módulo conectado do pedestal do PowerPark.

Você pode limpar e desinfetar a superfície externa ou o módulo do pedestal do PowerPark usando um produto de limpeza ou desinfetante recomendado. Para a lista mais recente de produtos aprovados, consulte *Limpeza e desinfecção dos produtos FUJIFILM SonoSite*, disponível em www.sonosite.com.

Cuidado

Não deixe que a solução de limpeza ou o desinfetante entre em contato com os conectores elétricos do PowerPark.

- 1 Desligue o sistema de ultrassom e qualquer equipamento acessório. Desconecte o pedestal da unidade de acoplamento do PowerPark ou desconecte o cabo de alimentação.
- 2 Limpe as superfícies do módulo do pedestal para remover quaisquer resíduos ou fluidos corporais. Use o seguinte procedimento:
 - a Use um pano pré-umedecido ou um pano macio umedecido com produto de limpeza ou desinfetante.
 - b Remova todos os resíduos de gel, detritos e fluidos corporais do módulo do pedestal do PowerPark.
- 3 Com um pano novo, limpe todas as peças do módulo do pedestal do PowerPark esfregando as áreas limpas para as áreas sujas. Esse método ajuda a evitar a contaminação cruzada.

Siga as instruções do fabricante do produto químico em relação à temperatura e ao tempo de contato com a substância úmida. Monitore as peças do PowerPark quanto à aparência úmida e reaplique o produto com um pano novo caso elas não estejam mais úmidas.

- 4 Deixe o módulo do pedestal do PowerPark secar ao ar em um espaço limpo e bem ventilado.

Para limpar a unidade de acoplamento do PowerPark

Limpe a unidade de acoplamento do PowerPark periodicamente ou sempre que ela estiver suja ou entrar em contato com matéria biológica ou fluidos corporais.

Cuidado

Não deixe que a solução de limpeza ou o desinfetante entre em contato com os conectores elétricos do PowerPark.

- 1 Desacople o pedestal e desconecte a unidade de acoplamento do PowerPark da alimentação CA.
- 2 Limpe a superfície externa da unidade de acoplamento do PowerPark para remover detritos ou fluidos corporais. Use um pano pré-umedecido ou um pano macio umedecido com produto de limpeza ou desinfetante.
- 3 Com um pano novo, limpe todas as peças da unidade de acoplamento do PowerPark esfregando as áreas limpas para as áreas sujas. Esse método ajuda a evitar a contaminação cruzada.

Siga as instruções do fabricante do produto químico em relação à temperatura e ao tempo de contato com a substância úmida. Monitore as peças do PowerPark quanto à aparência úmida e reaplique o produto com um pano novo caso não elas estejam mais úmidas.

4 Deixe a unidade de acoplamento do PowerPark secar ao ar em um espaço limpo e bem ventilado.

Segurança

Para obter a máxima segurança, respeite todos os avisos e cuidados nesta seção.

Segurança elétrica

Tabela 2: Classificação de segurança elétrica

Equipamento Classe I	O PowerPark está classificado como um equipamento Classe I.
Não AP/APG	Na presença de anestésicos inflamáveis, o uso do PowerPark não é adequado.

AVISOS

- ▶ Para evitar o risco de choque elétrico:
 - ▶ Não conecte o cabo de alimentação da unidade de acoplamento do PowerPark ou o módulo do pedestal do PowerPark a uma tomada portátil de soquete múltiplo (MPSO) ou a uma extensão.
 - ▶ Certifique-se de que o cabo de alimentação CA esteja desconectado do módulo de pedestal do PowerPark sempre que o pedestal estiver acoplado.
- ▶ Para evitar risco de choque elétrico e incêndio:
 - ▶ Use somente equipamentos devidamente aterrados. Haverá risco de choque elétrico se a fonte de alimentação não for devidamente aterrada. A confiabilidade do aterramento só poderá ser assegurada quando o equipamento estiver conectado a uma tomada marcada com "Somente para uso hospitalar", "Grau hospitalar" ou equivalente. O fio terra não deve ser removido nem desativado.
 - ▶ Use somente acessórios e periféricos recomendados pela FUJIFILM SonoSite, inclusive a fonte de alimentação. Use o PowerPark apenas nos limites de tensão e de corrente especificados na etiqueta de especificações.
 - ▶ Inspeccione a fonte de alimentação, os plugues, os cabos e os cabos de alimentação regularmente para verificar se há danos.
 - ▶ Não coloque a unidade de acoplamento do PowerPark em um ambiente molhado.
- ▶ Para evitar defeitos no sistema e o risco de choques elétricos, siga as instruções de montagem do PowerPark.

Segurança do Equipamento

Cuidados

- ▶ Dobrar ou torcer os cabos em excesso pode causar interrupções ou falhas de funcionamento.
- ▶ A limpeza ou a desinfecção inadequada de qualquer parte dos acessórios e dos periféricos pode provocar danos permanentes. Para obter instruções de limpeza e de desinfecção, consulte *Limpeza e desinfecção dos produtos FUJIFILM SonoSite*, disponível em www.sonosite.com.

Compatibilidade eletromagnética (CEM)

Consulte a seção Segurança do manual do usuário do sistema de ultrassom para obter informações sobre a compatibilidade eletromagnética com a especificação IEC 60601-1-2, incluindo a Declaração do Fabricante.

Descarga eletrostática

AVISOS

A menos que os procedimentos de precaução para ESD (*electrostatic discharge* — carga eletrostática) sejam seguidos, todos os usuários e equipe devem ser instruídos a não conectar nem tocar (com o corpo ou ferramentas manuais) os pinos dos conectores com o símbolo de Dispositivos Sensíveis à ESD:













Se o símbolo estiver em uma borda circundando vários conectores, o símbolo será relativo a todos os conectores dentro da borda.

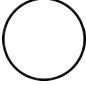
Os procedimentos de precaução para ESD incluem os seguintes:

- ▶ Receber treinamento sobre ESD, incluindo pelo menos o seguinte: introdução à física da carga eletrostática, os níveis de tensão que podem ocorrer na prática normal e os danos que poderão ocorrer nos componentes eletrônicos se o equipamento for tocado por um indivíduo que estiver eletrostaticamente carregado.
- ▶ Evitar o acúmulo de carga eletrostática, por exemplo: usar umidificação, coberturas condutivas no piso, roupas não sintéticas, ionizadores e materiais de redução do isolamento.
- ▶ Aterrar-se para descarregar qualquer carga eletrostática. Usar uma pulseira antiestática para estabelecer a ligação à terra.

Identificação dos símbolos

Para identificar os símbolos adicionais utilizados, consulte a ajuda integrada ou o manual do usuário do sistema de ultrassom.

Símbolo	Definição
	Siga as instruções de uso.
	Dispositivos sensíveis à eletrostática
	Dispositivo de Classe 1, indicando a declaração do fabricante sobre a conformidade com o Anexo VII da 93/42/EEC.
	Atenção, consulte o manual do usuário.
	Descartar separadamente de outros dejetos do estabelecimento (consulte European Commission Directive 93/86/EEC). Consulte a regulamentação local para descarte.
	Logotipo do controle de poluição. (Aplicável a todas as peças/produtos listados na tabela de divulgação RoHS da China. Esse logotipo pode não aparecer na parte externa de algumas peças/produtos devido a limitações de espaço.)
	Fabricante ou Fabricante e data de fabricação
	Corrente alternada
	Condutor de terra
	Ligado (alimentação)

Símbolo	Definição
	Desligado (alimentação)

Especificações

Dimensões

As dimensões aproximadas da unidade de acoplamento do PowerPark são:

- ▶ Largura: 38,1 cm
- ▶ Profundidade: 12,4 cm
- ▶ Comprimento: 12,4 cm
- ▶ Peso (incluindo cabo): 5,1 kg

Limites ambientais

Em operação: 10 a 40 °C; 15 a 95% UR; 700 hPa a 1060 hPa

Transporte/armazenamento: -35 a 65 °C; 15 a 95% UR; 500 hPa a 1060 hPa

Especificações elétricas

Entrada da fonte de alimentação do PowerPark: 100 a 240V CA, 50/60 Hz, 8 a 3,3 A.

Entrada da fonte de alimentação do módulo do pedestal do PowerPark: 100 a 240V CA, 50/60 Hz, 8 a 3,3 A.

FUJIFILM
Value from Innovation

SonoSite

P13405-06

