

PowerPark Assembly Instructions

For Sonosite LX, Sonosite PX, and Sonosite ST

Manufacturer	EC Authorized Representative	UK Responsible Person	Australia Sponsor
FUJIFILM SonoSite, Inc. 21919 30th Drive SE Bothell, WA 98021 USA T: 1-888-482-9449 or 1-425-951-1200 F: 1-425-951-1201	FUJIFILM SonoSite B.V. Joop Geesinkweg 140 1114 AB Amsterdam, The Netherlands	Fujifilm UK Limited Fujifilm House Whitbread Way Bedford MK42 0ZE United Kingdom	FUJIFILM SonoSite Australasia Pty Ltd 114 Old Pittwater Road BROOKVALE, NSW, 2100 Australia



CAUTION

United States federal law restricts this device to sale by or on the order of a physician.

SonoMB, SONOSITE, Steep Needle Profiling, and the SONOSITE logo are trademarks and registered trademarks of FUJIFILM SonoSite, Inc., in various jurisdictions. FUJIFILM is a registered trademark of FUJIFILM Corporation in various jurisdictions. Value from Innovation is a trademark of FUJIFILM Holdings America Corporation. DICOM is a registered trademark of the National Electrical Manufacturers Association. All other trademarks are the property of their respective owners.

Patent: www.sonosite.com/patents



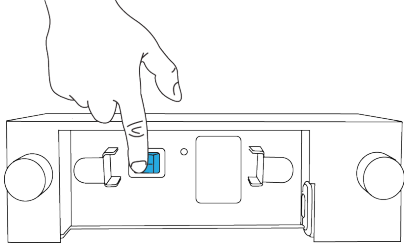
P23656-03

Published Mar 9, 2023

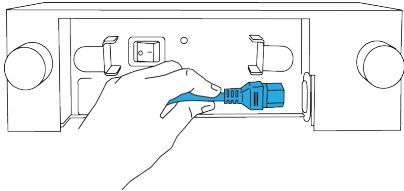
Copyright © 2023 FUJIFILM SonoSite, Inc. All rights reserved.

Setting up the dock

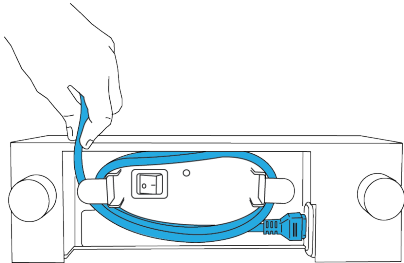
1. Check that the circuit breaker on the back of the dock is set to the OFF (O) position.



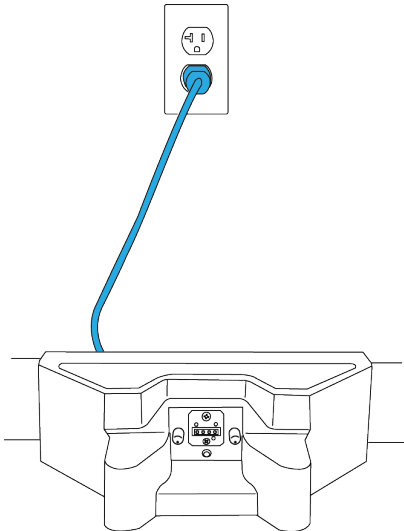
2. On the back of the dock, connect the power cord.



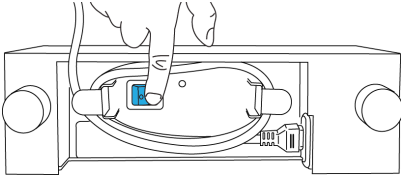
3. Wrap the excess cord around the hooks on the back of the dock, ensuring that the power cord remains plugged in.



4. Position the dock on the floor against a wall, and connect the power cord to a hospital-grade AC mains outlet.

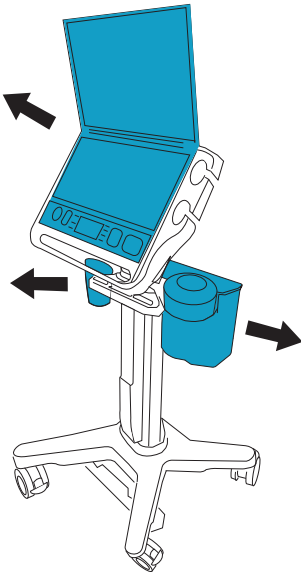


5. Set the circuit breaker to the ON (|) position.

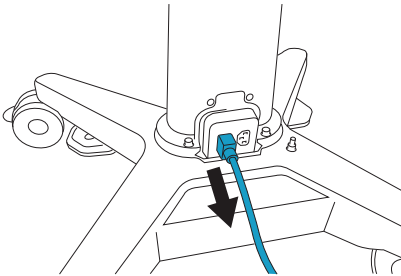


Attaching the stand module to a stand

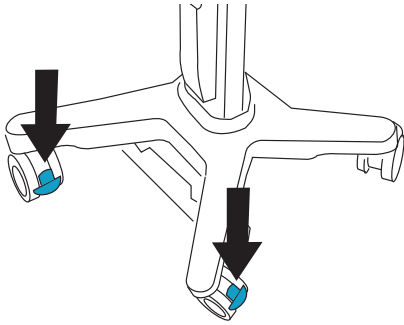
1. Disconnect any system power cables and transducers, then remove the ultrasound system (if it is removable), and all accessories, including: gel and wipe holders, baskets, and drawers from the stand.



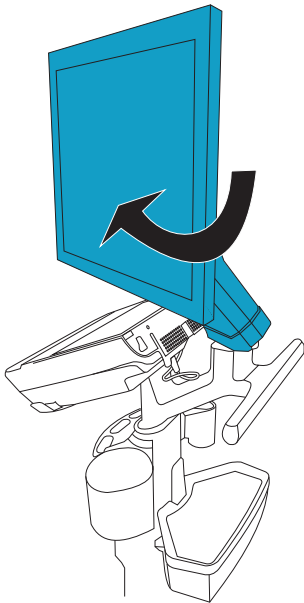
2. Disconnect the stand from power.



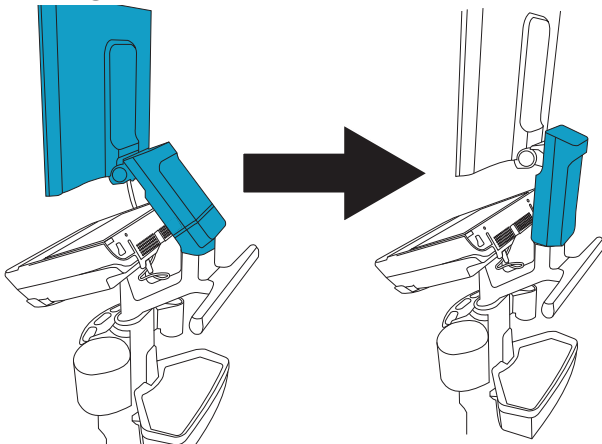
3. Press down the locking lever on each wheel.



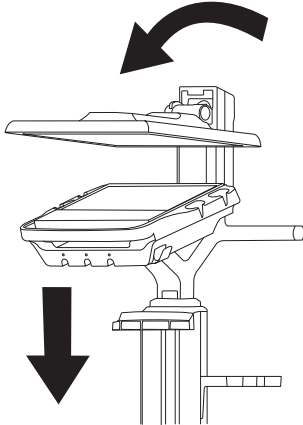
4. (Sonosite LX only) make sure the clinical monitor is centered and facing the front of the stand.



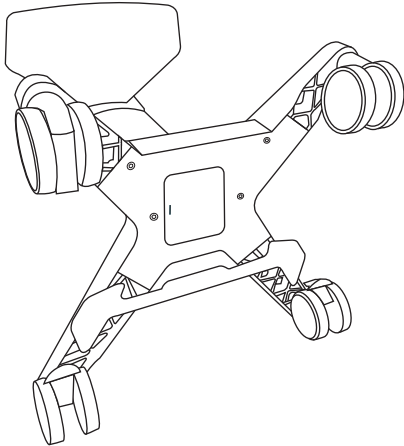
5. (Sonosite LX only) grip the edges of the clinical monitor and push back until the monitor arm is straight.



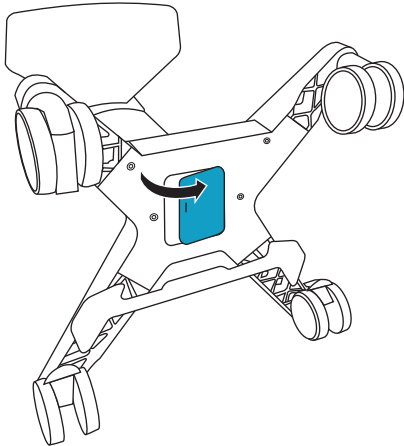
6. (Sonosite LX only) lower the stand column down to its shortest position, and rotate the clinical monitor down, parallel to the ground.



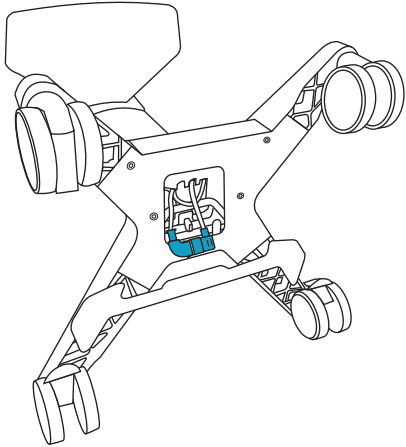
7. Lay the stand down on its front side, so that the longer legs are on the ground and the shorter legs face up.



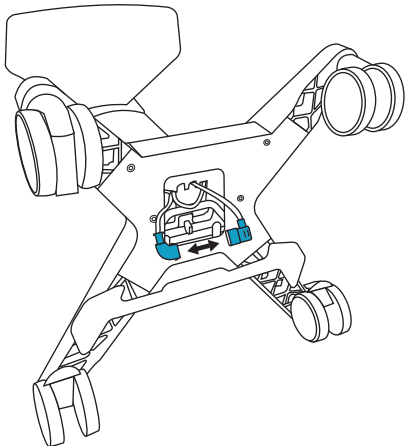
8. Remove the access door on the underside of the base to expose the power connectors.



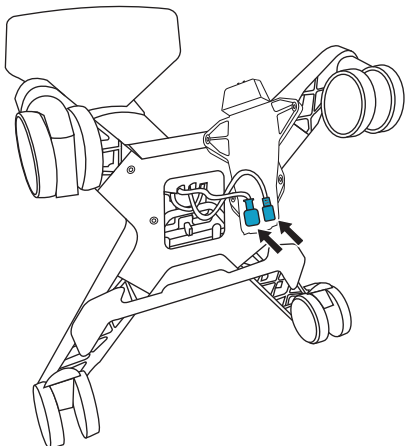
9. Reach through the access door into the base of the stand, and gently pull out the power connectors that are plugged together.



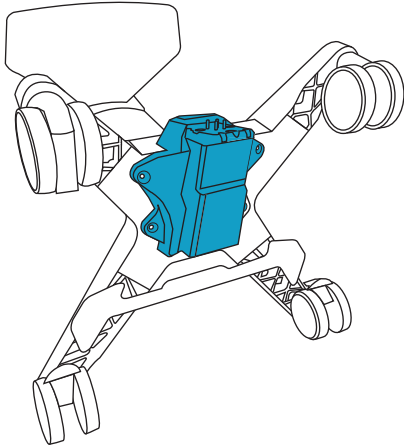
10. Disconnect the stand power connectors from each other.



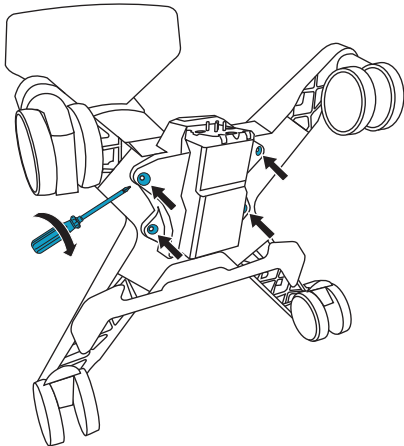
11. Attach the stand power connectors to the corresponding power receptacles on the PowerPark.



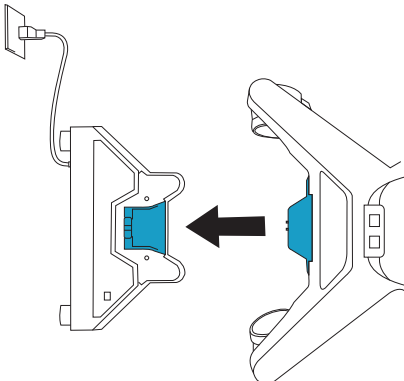
12. Set the PowerPark lip over the front edge of the stand base, aligning the four mounting holes on the PowerPark and stand.



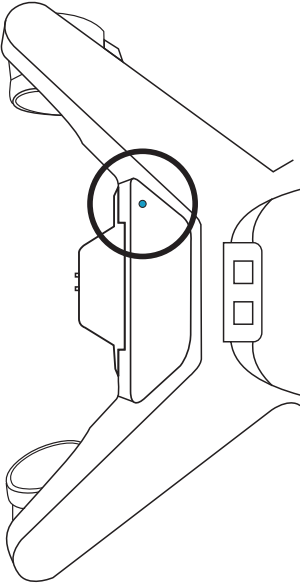
13. Use the magnetic driver with the 4 mm bit to attach the PowerPark to the stand using the four M5x35 mm screws.



14. Set the stand upright. Reconnect the ultrasound system and any accessories you removed previously.
15. Roll the stand to the PowerPark base, connecting the stand module to the base.



16. Check that the stand is receiving power by confirming the status light on the stand base is green.



FUJIFILM
SONOSITE

P23656-03

