
V-UNIVERSAL STAND

User Guide

CE

Manufacturer

FUJIFILM SonoSite, Inc.

21919 30th Drive SE
Bothell, WA 98021
USA
T: 1-888-482-9449 or 1-425-951-1200
F: 1-425-951-1201

EC Authorized Representative

FUJIFILM SonoSite, Ltd.

Alexander House
40A Wilbury Way
Hitchin
Herts SG4 0AP
UK
T: +44-1462-444800
F: +44-1462-444801

Caution: | United States federal law restricts this device to sale by or on the order of a physician.

NanoMaxx, S Series, V-Universal, SonoSite, and the SonoSite logo are trademarks or registered trademarks of FUJIFILM SonoSite, Inc. in various jurisdictions.

All other trademarks are the property of their respective owners.

P09557-02 1/2013

Copyright © 2013 by FUJIFILM SonoSite, Inc.

All rights reserved.

V-Universal Stand User Guide

Contents

Introduction	1
Stand features	2
Stand basics	4
Attaching the ultrasound system	4
Removing the ultrasound system	6
Using the printer	6
Using the Triple Transducer Connect	7
Using the DVD recorder	8
Troubleshooting	9
Cleaning and disinfecting	10
Safety	10
Specifications	12

Introduction

The *V-Universal Stand User Guide* explains how to use the V-Universal Stand and peripherals. For information on a peripheral, see the manufacturer's instructions included with that product. For information on the transducers, NanoMaxx ultrasound system, or S Series ultrasound system, see the ultrasound system user guide.

If you need to disassemble the stand, refer to the V-Universal Stand assembly instructions, available with the stand and at www.sonosite.com.

- WARNING:** To avoid the risk of patient injury, misdiagnosis, or user injury, read all the warnings in the ultrasound system user guide and supplemental guides.
- WARNING:** To avoid injury or equipment damage that could result from the stand toppling over, do not apply undue force to the stand. Positioning the stand platform at a low level may help to alleviate this potential hazard.
- WARNING:** To avoid possible injury or equipment damage, place the system in the lowest possible height on the stand before system transport.

Conventions

The user guide follows these conventions:

- A **WARNING** describes precautions necessary to prevent injury or loss of life.
- A **Caution** describes precautions necessary to protect the products.
- Numbered steps in procedures must be performed in order.
- Items in bulleted lists do not require a sequence.
- Single-step procedures begin with ❖.

Symbols and terms used on the system are explained in the ultrasound system user guide.

Customer assistance and comments

Questions and comments are encouraged. SonoSite is interested in your feedback regarding the system and the user guide. Please call SonoSite at 888-482-9449 in the U.S. Outside the U.S., call the nearest SonoSite representative.

For technical support, please contact SonoSite as follows:

SonoSite Technical Support

Phone (U.S. or Canada):	877-657-8118
Phone (Outside U.S. and Canada):	425-951-1330 Or call your local representative.
Fax:	425-951-6700
E-mail:	service@sonosite.com
Web site:	www.sonosite.com

Europe Service Center

Phone:	+44-(0)1462-444-800
E-mail:	uk.service@sonosite.com

Stand features

The stand provides a mobile work platform and a storage area for transducers and other supplies. It also provides connections for accessories and peripherals.

WARNING: To avoid the risk of electrical shock or injury, the equipment shall be connected to a center-tapped single-phase supply circuit when users in the United States connect the equipment to a 240V supply system.

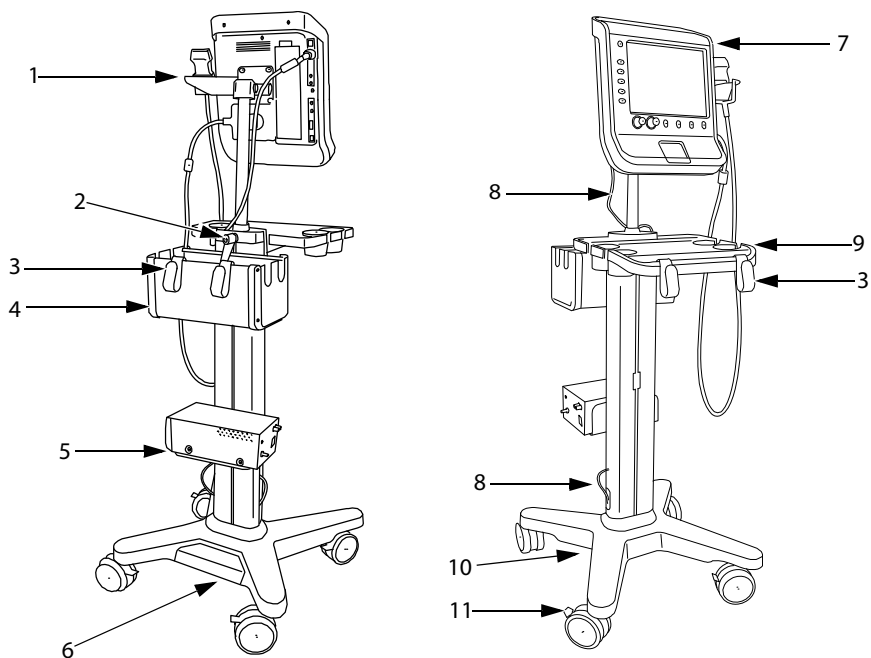


Figure 1 V-Universal Stand: Back and front views (shown with S Series ultrasound system and optional printer, basket, and tray)

1	Transducer holder
2	Height-adjustment lever
3	Hooks for cables and other items (included with tray and basket)
4	Basket (optional)
5	Shelf for black-and-white printer (optional)
6	AC adapter 1: Connector for system power cord
7	Ultrasound system
8	DC power cord
9	Tray (optional)
10	AC adapter 2: Connector for AC power cord (under stand base)
11	Locking lever on wheel

Stand basics

To raise or lower the ultrasound system

- 1 Make sure that the area above the column is clear.
- 2 Turn the height-adjustment lever counter-clockwise.
The pole may rise automatically from the column.
- 3 Raise or lower the pole to the desired height, and then tighten the lever.
To tighten the lever, turn it clockwise.
If lowering the pole, avoid grasping its base. Skin could get caught and pinched in the gap.
- 4 If you want to reposition the lever (for example, parallel to the pole), pull the lever out, turn it to the desired position, and release.

To lock or unlock a wheel

- ❖ Push the locking lever on the wheel:
 - Push down to lock.
 - Push up to unlock.

To adjust the system angle

- 1 Lock two or more wheels.
- 2 Using both hands, rotate the system up and down or side to side.

Attaching the ultrasound system

The transducer holder attaches to the system before the system attaches to the stand mounting plate.

To attach the transducer holder

- 1 Place the transducer holder on the back of the system, with the cup facing toward the front.
For NanoMaxx, the small end of the cup points upward.
- 2 Using a Phillips screwdriver, tighten the four screws. See [Figure 2](#).
For NanoMaxx, the holes for the screws are offset.

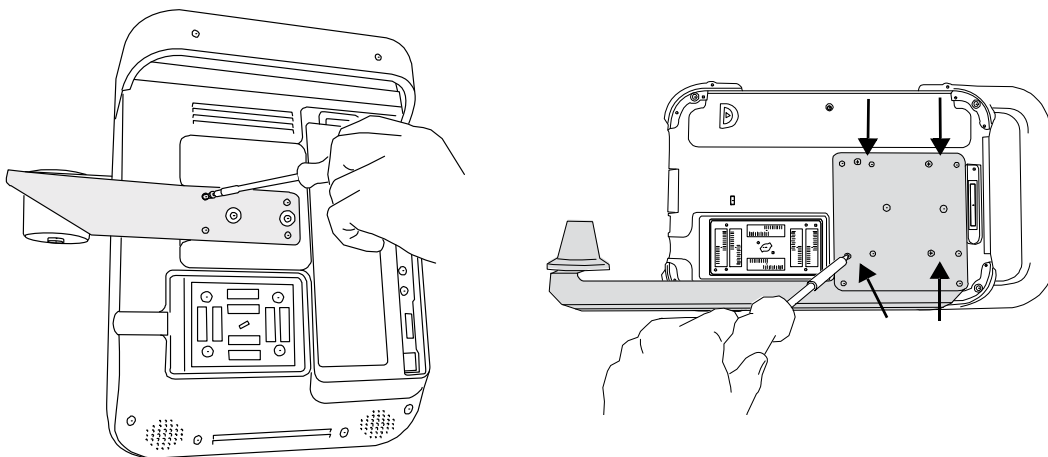


Figure 2 Turn screws on transducer holder: S Series (on left) and NanoMaxx (on right)

To attach the ultrasound system

- 1 (NanoMaxx only) Connect the NanoMaxx dock or power-only adapter to the system.
- 2 Attach the transducer holder to the system.
- 3 Place the back of the system onto the mounting plate.

The two pegs on the mounting plate pass through the transducer holder and, on the S Series system, into the two large holes on the system.

- 4 Turn the screw in each of the four corners into the system until the system is secure. Tighten with a Phillips screwdriver. See [Figure 3](#).

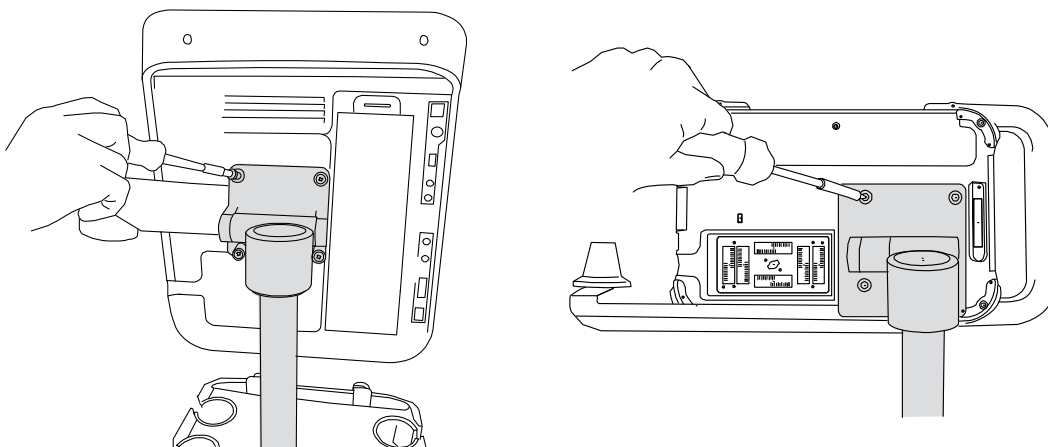


Figure 3 Turn screws on mounting plate: S Series (on left) and NanoMaxx (on right)

To connect AC power

- ❖ Connect the following cords. See [Figure 1](#) on page 3.
 - DC power cord
 - System AC power cord

Removing the ultrasound system

To remove the ultrasound system

- 1 Support the ultrasound system, and loosen the screw in each of the four corners of the mounting plate. If necessary, use a Phillips screwdriver. See [Figure 3](#).

Supporting the system ensures that it doesn't drop when loosened.

- 2 Lift the system off the stand.

The system lifts off the two mounting-plate pegs.

To remove the transducer holder

- ❖ Using a Phillips screwdriver, loosen the four screws on the back of the transducer holder. See [Figure 2](#).

Using the printer

WARNING: To avoid the risk of electrical shock or injury, do not connect more than one peripheral at a time.

Caution: To avoid damaging the system, use only peripherals recommended by SonoSite with the ultrasound system.

Printer

The NanoMaxx and S Series ultrasound systems support the printer.

For specific information on using the printer, including warnings and cautions, see the manufacturer's operating instructions.

To configure the system for the printer, see the ultrasound system user guide. You configure the system on the Connectivity setup page.

To connect the printer, see the V-Universal Stand assembly instructions.

To print the screen

Note: Test the printer before a patient exam to ensure that all connectivity is correct.

- ❖ Use the controls on the printer for printing images. Follow the manufacturer's instructions.

You can also save images and print them from the patient list. For instructions, see the ultrasound system user guide.

Using the Triple Transducer Connect

The S Series ultrasound system supports the Triple Transducer Connect (TTC). The TTC is an optional three-transducer module that lets you simultaneously connect up to three transducers while the ultrasound system is docked.

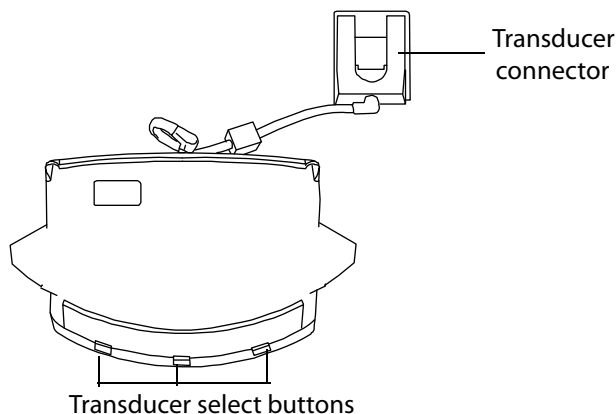


Figure 4 Triple Transducer Connect

To connect a transducer to the TTC

- 1 Pull the transducer latch up and rotate 90°.
- 2 Align and insert the transducer connector to the connector on the bottom of the TTC.
- 3 Turn the latch and press down, securing the transducer connector to the TTC.

To select a transducer

Note: When you use the TTC, there may be a minor reduction of transducer penetration.

- ❖ With the system turned on, push a transducer select button on the TTC to select the desired transducer.

When selecting another transducer, the light on the button flashes momentarily and then turns solid green.

The transducer appears in the system status section of the screen, and the system selects the default exam type for the selected transducer.

Only one transducer is accessible at a time.

To remove the TTC for service

- 1 Remove any attached transducers.
- 2 Disconnect the transducer connector from the system.
- 3 Pry open the snap covers on the cover of the TTC with a flathead screwdriver.

- 4 Hold the bottom of the TTC to support it and use the 5/32" (larger) Allen wrench to remove the four screws beneath the snap covers.

Using the DVD recorder

WARNING: To avoid the risk of electrical shock or injury, do not connect more than one peripheral at a time.

Caution: To avoid damaging the system, use only peripherals recommended by SonoSite with the ultrasound system.

Note: As of July 2012, the DVD recorder is not supported with the V-Universal stand.

The S Series ultrasound system supports the DVD recorder.

For specific information on using the DVD recorder, including warnings and cautions, see the manufacturer's operating instructions.

To configure the system for the DVD recorder, see the ultrasound system user guide. You configure the system on the Connectivity setup page.

To connect the DVD recorder, see the V-Universal Stand assembly instructions.

To record images

Note: Test the recorder before a patient exam to ensure that all connectivity is correct.

- 1 Turn on the DVD recorder.
- 2 Insert a recordable DVD.
- 3 Use controls on the DVD recorder to start and stop recording.

Each time you record, a new file saves to the DVD.

To play back images

- 1 On the ultrasound system, hold down the touchpad key, and press the lower-right control key.
- 2 Press PLAY on the DVD recorder.

For more information, see the manufacturer's instructions.

Troubleshooting the DVD recorder

Symptom	Solution
DVD recorder does not record	<ul style="list-style-type: none"> • Check the serial port setting on the Connectivity setup page. See the ultrasound system user guide. • Check the cable connections on the stand and DVD recorder. See the V-Universal Stand assembly instructions. • Ensure that the DVD record is turned on and set up properly. See the DVD recorder manufacturer's instructions, if necessary.
DVD recorder does not play back	<ul style="list-style-type: none"> • Check the cable connections on stand and DVD recorder. See the V-Universal Stand assembly instructions. • Ensure that the display setting is set to S-video. Follow the manufacturer's instructions.

Troubleshooting

Symptom	Solution
Printer does not print.	<ul style="list-style-type: none"> • Check the printer selection on the Connectivity setup page. See the ultrasound system user guide. • Check the cable connections. See the V-Universal Stand assembly instructions. • Ensure that the printer is turned on and set up properly. See the printer manufacturer's instructions, if necessary.
Stand tips over more easily than expected.	<ul style="list-style-type: none"> • Lower the pole to lower the ultrasound system and optional tray. • Avoid placing or hanging heavy objects on the stand. Too much weight can cause the stand to become less stable.

Cleaning and disinfecting

- WARNING:** To avoid electrical shock, before cleaning, always disconnect the system from the power supply and remove it from the stand.
- WARNING:** To avoid injury, always use protective eyewear and gloves when performing cleaning and disinfecting procedures.
- WARNING:** To avoid infection, ensure that the solution expiration date has not passed.
- WARNING:** To avoid infection, the level of disinfection required for a product is dictated by the type of tissue it contacts during use. Ensure that the solution strength and duration of contact are appropriate for the equipment. For information, see the disinfectant label instructions and the recommendations of the Association for Professionals in Infection Control and Epidemiology (APIC) and FDA.
- Caution:** Use only recommended cleaners or disinfectants on surfaces. Immersion-type disinfectants are not tested for use on surfaces.

To clean and disinfect the stand

You can clean and disinfect the exterior surface of the stand using a recommended cleaner or disinfectant. For the most recent list of approved products, see www.sonosite.com.

- 1 Remove the system, unplug the power supply, and detach any cables.
- 2 Clean the surfaces using a soft cloth lightly dampened in a mild soap or detergent cleaning solution.
Apply the solution to the cloth rather than the surface of the stand.
- 3 Wipe the surfaces with the disinfecting solution.
- 4 Air dry or towel dry with a clean cloth.

For information about cleaning the peripherals, see the manufacturer's instructions.

Safety

For maximum safety, observe the following warnings and cautions before using accessories and peripherals with the ultrasound system and transducers.

Electrical safety

- WARNING:** To avoid the risk of a shock hazard, do not plug the power cord of the V-Universal Stand into a multiple portable socket outlet (MPSO) or use an extension cord.
- WARNING:** To avoid the risk of electrical shock, use only properly grounded equipment. Shock hazards exist if the power supply is not properly grounded. Grounding reliability can only be achieved when equipment is connected to a receptacle marked "Hospital Only" or "Hospital Grade" or the equivalent. The grounding wire must not be removed or defeated.
- WARNING:** To avoid the risk of electrical shock and fire hazard, inspect the power supply, plugs, cables, and power cords on a regular basis for damage.
- WARNING:** To avoid the risk of electrical shock, use only accessories and peripherals recommended by SonoSite, including the power supply. Connection of accessories and peripherals not recommended by SonoSite could result in electrical shock. Contact SonoSite or your local representative for a list of accessories and peripherals available from or recommended by SonoSite.
- WARNING:** To avoid possible electrical shock or electromagnetic interference, verify proper operation and compliance with relevant safety standards for all equipment before clinical use. Connecting additional equipment to the ultrasound system constitutes configuring a medical system. SonoSite recommends verifying that the system, all combinations of equipment, and accessories connected to the ultrasound system comply with JACHO installation requirements and/or safety standards AAMI-ES1, NFPA 99, IEC 60601-1-1, and IEC 60601-1-2, and are certified according to IEC 60950 (Information Technology Equipment (ITE)).

Equipment safety

- Caution:** Excessive bending or twisting of cables can cause a failure or intermittent operation.
- Caution:** Improper cleaning or disinfecting of any part of the accessories and peripherals can cause permanent damage. For cleaning and disinfecting instructions, see "[Cleaning and disinfecting](#)" on page 10 and the manufacturer's operating instructions.
- Caution:** Accessible metal on the signal inputs and outputs on the back and side of the ultrasound system is not protectively earthed. Do not perform a high current ground impedance test involving this part.

Clinical safety

WARNING: To avoid misdiagnosis, do not use non-medical (commercial) grade peripheral monitors. These monitors have not been verified or validated by SonoSite as being suitable for diagnosis.

Electromagnetic compatibility (EMC)

See the safety section of the ultrasound system user guide and supplemental guides for information on electromagnetic compatibility with IEC 60601-1-2, including the Manufacturer's Declaration.

Specifications

For information on the peripherals, see the manufacturer's specifications.

Stand dimensions

Width: 20 in. (51 cm)

Length: 23 in. (59 cm)

Height: 54.5 in. max. (138.5 cm), 42.5 in. min. (108 cm)

Height range: 12 in. (30.5 cm)

Weight: 37 lbs. (16.8 kg) basic, 45 lbs. (20.4 kg) deluxe

Temperature and humidity limits

Operating: 10–40°C; 15–95% R.H.

Shipping/Storage: -35–65°C; 15–95% R.H.

Peripherals

Medical grade

Black-and-white printer

For printer paper, contact Sony at 1-800-686-7669 or www.sony.com/professional to order paper or to find the local distributor.

DVD recorder (S Series only. As of July 2012, the DVD recorder is not supported with the V-Universal stand.)

Non-medical grade

USB keyboard (S Series only)

V-UNIVERSAL-STATIV

Benutzerhandbuch

CE

Hersteller

FUJIFILM SonoSite, Inc.

21919 30th Drive SE

Bothell, WA 98021

USA

Tel.: +1-888-482-9449 oder +1-425-951-1200

Fax: +1-425-951-1201

Bevollmächtigter Vertreter in der EG

FUJIFILM SonoSite, Ltd.

Alexander House

40A Wilbury Way

Hitchin

Herts SG4 OAP

Großbritannien

Tel.: +44-1462-444800

Fax: +44-1462-444801

Vorsichtshinweis:

Laut US-Bundesgesetzen darf dieses Gerät nur an Ärzte oder auf deren Anordnung verkauft werden.

NanoMaxx, S Series, V-Universal, SonoSite, und das SonoSite-Logo sind Marken oder eingetragene Marken von FUJIFILM SonoSite, Inc. in zahlreichen Rechtsgebieten.

Alle anderen Marken sind Eigentum ihrer jeweiligen Besitzer.

P09557-02 1/2013

Copyright © 2013 FUJIFILM SonoSite, Inc.

Alle Rechte vorbehalten.

Benutzerhandbuch für das V-Universal-Stativ

Inhalt

Einführung	1
Optionen des Stativs	3
Stativ – Grundlagen	4
Befestigen des Ultraschallsystems	5
Entfernen des Ultraschallsystems	6
Verwenden des Druckers	7
Verwenden des Triple Transducer Connect	7
Verwenden des DVD-Rekorders	9
Fehlersuche	10
Reinigung und Desinfektion	11
Sicherheit	12
Technische Daten	13

Einführung

Das *Benutzerhandbuch für das V-Universal-Stativ* erläutert den Gebrauch des V-Universal-Stativs und der Peripheriegeräte. Weitere Informationen zu den Peripheriegeräten entnehmen Sie der mit dem jeweiligen Produkt gelieferten Bedienungsanleitung des Herstellers. Informationen zu den Schallköpfen, dem NanoMaxx-Ultraschallsystem oder dem S Series-Ultraschallsystem entnehmen Sie dem Benutzerhandbuch des Ultraschallsystems.

Falls Sie das Stativ demontieren müssen, entnehmen Sie entsprechende Informationen den Montageanweisungen für das V-Universal-Stativ, die dem Stativ beigelegt sind oder unter www.sonosite.com zur Verfügung stehen.

- WARNHINWEIS:** Um eine Verletzung des Patienten, eine Fehldiagnose oder eine Verletzung des Bedieners zu vermeiden, müssen die Warnhinweise im Benutzerhandbuch des Ultraschallsystems und in den ergänzenden Handbüchern sorgfältig gelesen werden.
- WARNHINWEIS:** Um Verletzungen oder Geräteschäden zu vermeiden, die durch ein Umkippen des Stativs entstehen könnten, darf keine übermäßige Kraft auf das Stativ angewandt werden. Das Einstellen der Stativplattform auf eine tiefe Position kann dazu beitragen, diese potenzielle Gefahr zu verringern.
- WARNHINWEIS:** Um mögliche Verletzungen oder Schäden am Gerät zu vermeiden, das System vor dem Transport auf der geringstmöglichen Höhe am Stativ anbringen.

Konventionen

Für das Benutzerhandbuch gelten folgende Konventionen:

- Ein **WARNHINWEIS** beschreibt die notwendigen Vorsichtsmaßnahmen zur Vermeidung einer Verletzung oder eines tödlichen Unfalls.
- Ein **Vorsichtshinweis** beschreibt die notwendigen Vorsichtsmaßnahmen zum Schutz der Produkte.
- Nummerierte Schritte in den Bedienungsanleitungen müssen in der angegebenen Reihenfolge ausgeführt werden.
- Punkte in nicht nummerierten Aufzählungen erfordern keine bestimmte Reihenfolge.
- Verfahren mit nur einem Schritt beginnen mit ❖.

Die im Zusammenhang mit dem System verwendeten Symbole und Begriffe werden im Benutzerhandbuch des Ultraschallsystems erklärt.

Kundendienst und Kommentare

Fragen und Kommentare sind willkommen. SonoSite ist an Ihrem Feedback zum System und zum Benutzerhandbuch interessiert. Wenden Sie sich in den USA unter +1-888-482-9449 an SonoSite, außerhalb der USA wenden Sie sich an die nächste SonoSite-Vertretung.

Der technische Kundendienst von SonoSite ist wie folgt erreichbar:

Technischer Kundendienst von SonoSite

Telefon (USA oder Kanada):	+1-877-657-8118
Telefon (außerhalb USA oder Kanadas):	+1-425-951-1330 Oder wenden Sie sich an Ihren örtlichen Kundendienstvertreter.
Fax:	+1-425-951-6700
E-Mail:	service@sonosite.com
Website:	www.sonosite.com

Europäisches Servicezentrum

Telefon:	+44-(0)1462-444-800
E-Mail:	uk.service@sonosite.com

Optionen des Stativs

Das Stativ bietet eine mobile Arbeitsplattform und ermöglicht die Unterbringung der Schallköpfe und anderer Zubehörkomponenten. Außerdem bietet es Anschlussmöglichkeiten für Zubehör und Peripheriegeräte.

WARNHINWEIS: Zur Vermeidung von elektrischen Schlägen bzw. Verletzungen muss die Anlage beim Betrieb in den Vereinigten Staaten über eine 240-V-Stromquelle an eine mittenangezapfte Einphasenstromquelle angeschlossen werden.

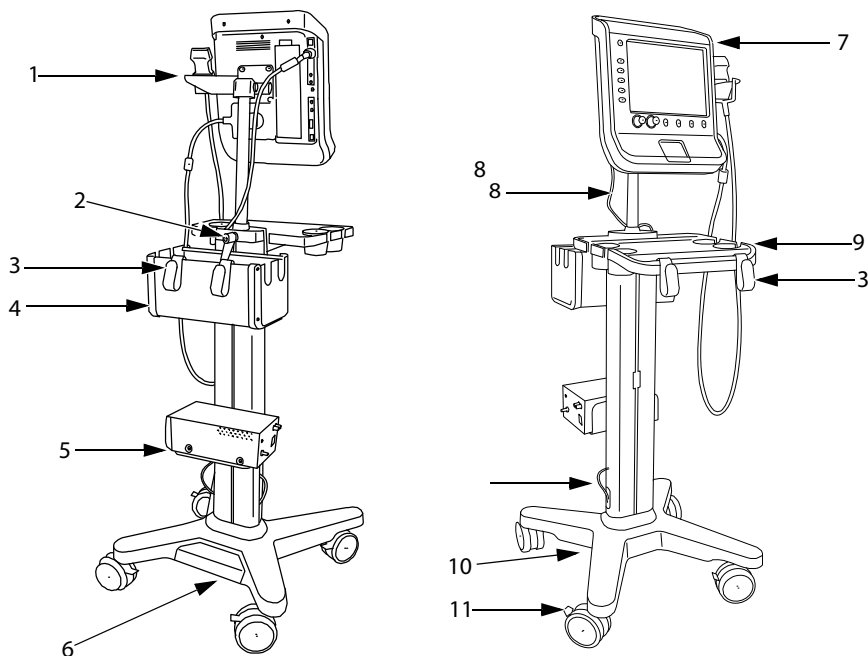


Abbildung 1 V-Universal-Stativ: Front- und Rückansicht (abgebildet mit S Series-Ultraschallsystem und optionalem Drucker, Korb und Kassette)

1	Schallkopfhalter
2	Hebel zur Höhenverstellung
3	Haken für Kabel und für andere Gegenstände (wird mit Kassette und Korb geliefert)
4	Korb (optional)
5	Fach für Schwarzweißdrucker (optional)
6	Netzadapter 1: Anschluss für das Stromversorgungskabel des Systems

7	Ultraschallsystem
8	Gleichstromkabel
9	Kassette (optional)
10	Netzadapter 2: Anschluss für das Netzstromkabel (unterhalb der Stativbasis)
11	Sperrhebel für Rad

Stativ – Grundlagen

So heben Sie das Ultraschall-System an oder senken es ab

- 1 Stellen Sie sicher, dass sich über der Tragsäule keine Hindernisse befinden.
- 2 Drehen Sie den Hebel zur Höhenverstellung gegen den Uhrzeigersinn.
Der Schaft wird u. U. automatisch aus der Tragsäule nach oben bewegt.
- 3 Schaft bis zur gewünschten Höhe anheben bzw. absenken und Hebel festziehen.
Um den Hebel festzuziehen, muss er im Uhrzeigersinn gedreht werden.
Beim Absenken des Schafts nicht an der Basis festhalten. Sie könnten sich sonst die Finger klemmen.
- 4 Wenn Sie den Hebel verstellen möchten (zum Beispiel parallel zum Schaft), ziehen Sie ihn heraus, bringen Sie ihn in die gewünschte Position und lassen Sie wieder los.

So sperren und entsperren Sie die Räder

- ❖ Drücken Sie den Sperrhebel auf dem Rad:
 - Herunterdrücken zum Sperren
 - Nach oben drücken zum Entsperrern

So passen Sie die Neigung des Systems an

- 1 Sperren Sie mindestens zwei Räder.
- 2 Drehen Sie das System nach oben und nach unten oder von einer Seite zur anderen; und verwenden Sie dabei beide Hände.

Befestigen des Ultraschallsystems

Die Schallkopfhalterung ist an das System anzuschließen, bevor das System an der Montageplatte des Stativs befestigt wird.

So befestigen Sie den Schallkopfhalter

- 1 Platzieren Sie den Schallkopfhalter an der Rückseite des Systems mit der Schale nach vorn.
Beim NanoMaxx zeigt das kleine Ende der Schale nach oben.
- 2 Ziehen Sie die vier Schrauben mithilfe eines Kreuzschlitzschraubendrehers an. Siehe **Abbildung 2**.
Beim NanoMaxx sind die Löcher für die Schrauben versetzt.

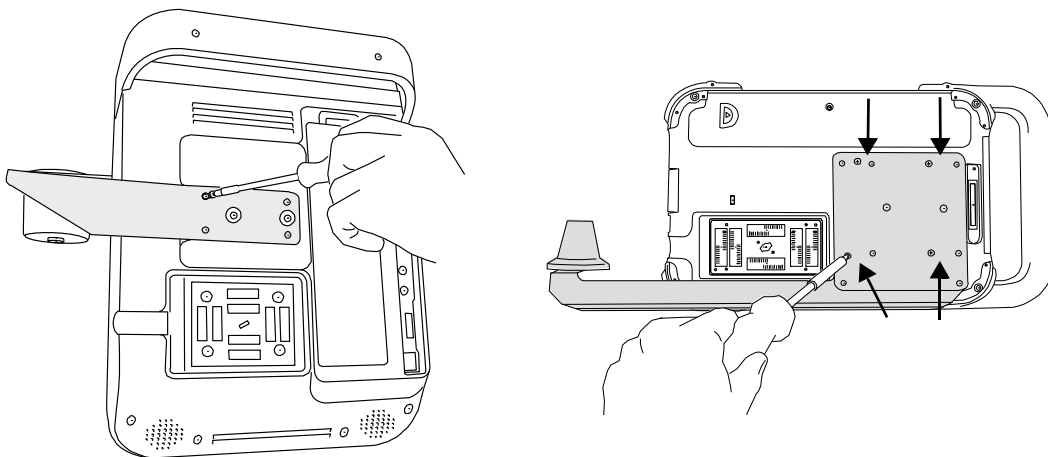


Abbildung 2 Schrauben am Schallkopfhalter anziehen: S Series (links) und NanoMaxx (rechts)

So befestigen Sie das Ultraschallsystem

- 1 (Nur für NanoMaxx) Das NanoMaxx-Dock oder den Power-only-Adapter an das System anschließen.
- 2 Befestigen Sie den Schallkopfhalter am System.
- 3 Platzieren Sie die Rückseite des Systems an der Montageplatte.

Die beiden Bolzen auf der Montageplatte werden durch den Schallkopfhalter und, bei dem S Series-System, in die beiden großen Öffnungen im System geführt.

- 4 Ziehen Sie die Schrauben an jeder der vier Ecken an, um das System zu sichern. Mit einem Kreuzschlitzschraubendreher festziehen. Siehe **Abbildung 3**.

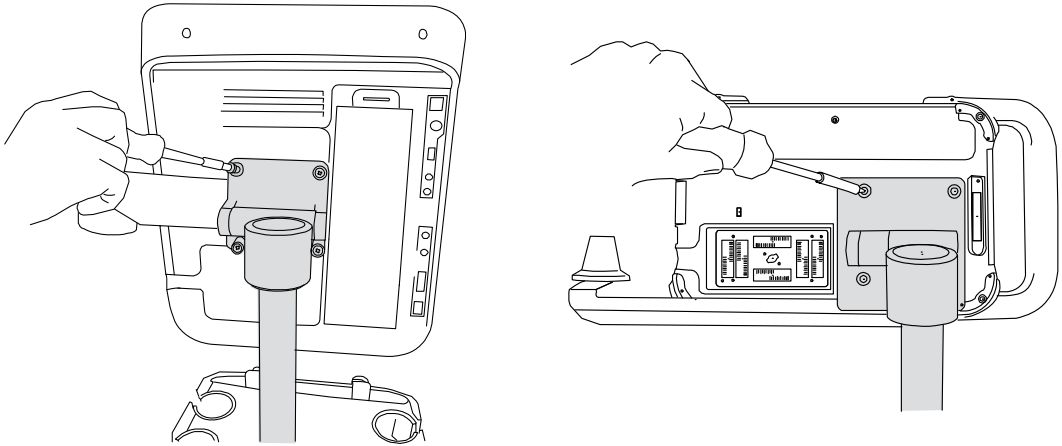


Abbildung 3 Schrauben am Schallkopfhalter anziehen: S Series (links) und NanoMaxx (rechts)

So schließen Sie das System an die Stromversorgung an

- ❖ Schließen Sie folgende Kabel an. Siehe **Abbildung 1** auf Seite 3.
 - Gleichstromkabel
 - Systemnetzstromkabel

Entfernen des Ultraschallsystems

So entfernen Sie das Ultraschallsystem

- 1 Stützen Sie das Ultraschallsystem ab und lösen Sie die Schrauben an allen vier Ecken der Montageplatte. Falls nötig, verwenden Sie einen Kreuzschlitzschraubendreher. Siehe **Abbildung 3**.

Durch Abstützen des Ultraschallsystems stellen Sie sicher, dass das System beim Lockern der Halterung nicht herunterfällt.

- 2 Heben Sie das System vom Stativ.

Das System lässt sich von den zwei Bolzen der Montageplatte abnehmen.

So entfernen Sie den Schallkopfhalter

- ❖ Lösen Sie mithilfe eines Kreuzschlitzschraubendrehers die vier Schrauben an der Rückseite des Schallkopfhalters. Siehe **Abbildung 2**.

Verwenden des Druckers

WARNHINWEIS: Zur Vermeidung von elektrischen Schlägen bzw. Verletzungen darf immer nur ein Peripheriegerät angeschlossen werden.

Vorsichtshinweis: Um eine Beschädigung des Systems zu vermeiden, dürfen nur von SonoSite empfohlene Peripheriegeräte mit dem System benutzt werden.

Drucker

Der Drucker wird von den Ultraschallsystemen NanoMaxx und S Series unterstützt.

Spezifische Informationen zur Verwendung des Druckers, einschließlich Warn- und Vorsichtshinweise, finden Sie in den Bedienungsanweisungen des jeweiligen Herstellers.

Informationen zur Konfiguration des Systems für den Drucker entnehmen Sie bitte dem Benutzerhandbuch des Ultraschallsystems. System auf der Einrichtungsseite für die PC-Anbindung konfigurieren.

Informationen zum Anschluss des Druckers entnehmen Sie bitte den Montageanweisungen für das V-Universal-Stativ.

So drucken Sie den Bildschirm aus

Hinweis: Vor der Untersuchung von Patienten sollte der Drucker getestet werden, um sicherzustellen, dass alle Kabel korrekt angeschlossen sind.

❖ Zum Ausdruck von Bildern die Bedienelemente am Drucker verwenden. Dabei die Anleitungen des Herstellers befolgen.

Sie können die Bilder auch speichern und sie später aus der Patientenliste drucken. Weitere Hinweise finden Sie im Benutzerhandbuch für das Ultraschallsystem.

Verwenden des Triple Transducer Connect

Das Ultraschallsystem S Series unterstützt den Triple Transducer Connect (TTC). TTC ist ein optionales Modul, das den gleichzeitigen Anschluss von bis zu drei Schallköpfen ermöglicht, während das Ultraschallsystem im Docking-System eingesetzt ist.

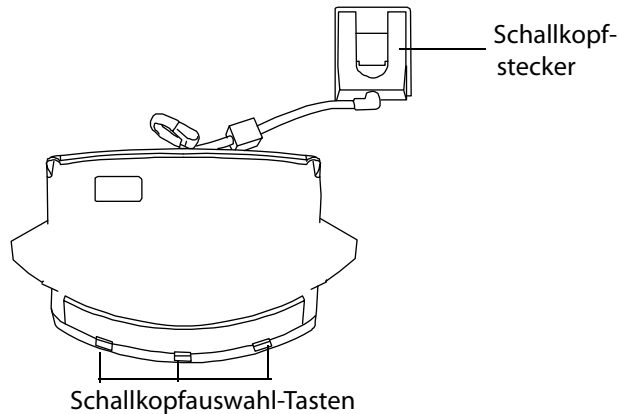


Abbildung 4 Triple Transducer Connect

So schließen Sie einen Schallkopf an den TTC an

- 1 Schallkopfriegel nach oben ziehen und um 90 Grad drehen.
- 2 Schallkopfstecker an der Buchse an der Unterseite des TTC ausrichten und einstecken.
- 3 Schallkopfriegel zurückdrehen und nach unten drücken, um den Schallkopfstecker am TTC zu sichern.

So wählen Sie einen Schallkopf aus

Hinweis: Bei Verwendung des TTC verringert sich die Eindringtiefe des Schallkopfs möglicherweise geringfügig.

- ❖ Drücken Sie bei eingeschaltetem System eine der Schallkopfauswahl-tasten auf dem TTC, um den gewünschten Schallkopf auszuwählen.

Wenn ein anderer Schallkopf ausgewählt wird, blinkt das Licht an der Taste kurz auf und leuchtet dann dauerhaft grün.

Der Schallkopf wird im Systemstatusbereich des Bildschirms angezeigt, und das System wählt den Standarduntersuchungstyp für den ausgewählten Schallkopf aus.

Es ist immer nur ein Schallkopf verfügbar.

So entfernen Sie den TTC für die Wartung

- 1 Alle angeschlossenen Schallköpfe entfernen.
- 2 Den Schallkopfstecker vom System trennen.
- 3 Öffnen Sie die Schnappabdeckungen auf dem Gehäuse des TTC mit einem Schlitzschraubendreher.
- 4 Halten Sie den TTC an der Unterseite zur Unterstützung fest, und verwenden Sie den 5/32-Zoll-Inbusschlüssel (den größeren), um die vier Schrauben unter den Schnappabdeckungen zu entfernen.

Verwenden des DVD-Rekorders

WARNHINWEIS: Zur Vermeidung von elektrischen Schlägen bzw. Verletzungen darf immer nur ein Peripheriegerät angeschlossen werden.

Vorsichtshinweis: Um eine Beschädigung des Systems zu vermeiden, dürfen nur von SonoSite empfohlene Peripheriegeräte mit dem System benutzt werden.

Hinweis: Seit Juli 2012 wird der DVD-Rekorder nicht mehr vom V-Universal-Stativ unterstützt.

Das S Series-Ultraschallsystem unterstützt den DVD-Rekorder.

Spezifische Informationen zur Verwendung des DVD-Rekorders, einschließlich Warn- und Vorsichtshinweise, finden Sie in den Bedienungsanweisungen des jeweiligen Herstellers.

Informationen zur Konfiguration des Systems für den DVD-Rekorder entnehmen Sie bitte dem Benutzerhandbuch des Ultraschallsystems. System auf der Einrichtungsseite für die PC-Anbindung konfigurieren.

Informationen zum Anschluss des DVD-Rekorders entnehmen Sie bitte den Montageanweisungen für das V-Universal-Stativ.

So zeichnen Sie Bilder auf

Hinweis: Vor der Untersuchung von Patienten sollte der Rekorder getestet werden, um sicherzustellen, dass alle Kabel korrekt angeschlossen sind.

- 1 DVD-Rekorder einschalten.
- 2 Beschreibbare DVD einlegen.
- 3 Aufzeichnung mit Hilfe der Bedienelemente am DVD-Rekorder starten bzw. beenden.
Bei jeder Aufzeichnung wird auf der DVD eine neue Datei gespeichert.

So geben Sie Bilder wieder

- 1 Halten Sie die Touchpad-Taste des Ultraschallsystems gedrückt, und betätigen Sie die untere rechte Steuertaste.
- 2 Am DVD-Rekorder die Taste PLAY (Wiedergabe) drücken.

Weitere Informationen entnehmen Sie den Anweisungen des jeweiligen Geräteherstellers.

Fehlersuche für den DVD-Rekorder

Symptom	Lösung
DVD-Rekorder zeichnet nicht auf.	<ul style="list-style-type: none">• Überprüfen Sie die Einstellungen der seriellen Schnittstelle auf der Einrichtungsseite für Verbindungen. Weitere Angaben finden Sie im Benutzerhandbuch des Ultraschallsystems.• Kabelverbindungen an System und DVD-Rekorder überprüfen. Siehe Montageanweisungen für das V-Universal-Stativ.• Prüfen, ob der DVD-Rekorder eingeschaltet und richtig eingestellt ist. Gegebenenfalls die Anleitungen des Herstellers des DVD-Rekorders beachten.
Wiedergabe über den DVD-Rekorder nicht möglich.	<ul style="list-style-type: none">• Kabelverbindungen an System und DVD-Rekorder überprüfen. Siehe Montageanweisungen für das V-Universal-Stativ.• Sicherstellen, dass die Anzeige auf „S-Video“ eingestellt ist. Dabei die Anleitungen des Herstellers befolgen.

Fehlersuche

Symptom	Lösung
Drucker druckt nicht.	<ul style="list-style-type: none">• Auf Seite „PC-Anbindung“ die Druckereinstellungen überprüfen. Weitere Angaben finden Sie im Benutzerhandbuch des Ultraschallsystems.• Kabelverbindungen überprüfen. Siehe Montageanweisungen für das V-Universal-Stativ.• Sicherstellen, dass der Drucker eingeschaltet und richtig eingestellt ist. Siehe ggf. die Anleitungen des Druckerherstellers.
Stativ kippt leichter um als erwartet.	<ul style="list-style-type: none">• Senken Sie zur Absenkung des Ultraschallsystems und der optionalen Kassette den Schaft ab.• Platzieren Sie keine schweren Gegenstände auf dem Stativ, und hängen Sie keine solchen daran auf. Zu viel Gewicht kann dazu führen, dass das Stativ an Stabilität verliert.

Reinigung und Desinfektion

- WARNHINWEIS:** Um einen elektrischen Schlag zu vermeiden, muss das System vor dem Reinigen stets vom Netzteil getrennt und vom Stativ entfernt werden.
- WARNHINWEIS:** Um Verletzungen zu vermeiden, beim Reinigen oder Desinfizieren stets Schutzbrille und Handschuhe tragen.
- WARNHINWEIS:** Um Infektionen zu vermeiden, ist darauf zu achten, dass das Verfallsdatum der Lösung nicht überschritten wurde.
- WARNHINWEIS:** Um Infektionen zu vermeiden, muss der für ein Produkt erforderliche Desinfektionsgrad eingehalten werden. Dieser hängt von der Art des Gewebes ab, mit dem es beim Gebrauch in Berührung kommt. Stellen Sie sicher, dass die Konzentration der Lösung und die Einwirkungsdauer für das Gerät geeignet sind. Informationen hierzu sind den Gebrauchsanweisungen auf dem Etikett des Desinfektionsmittels und den Empfehlungen der „Association for Professionals in Infection Control and Epidemiology (APIC)“ (Verband der Fachleute auf dem Gebiet der Infektionskontrolle und Epidemiologie) und der FDA (amerikanische Verwaltungsbehörde für Nahrungs- und Arzneimittel) zu entnehmen.
- Vorsichtshinweis:** Auf den Oberflächen nur empfohlene Reinigungs- und Desinfektionsmittel verwenden. Desinfektionsmittel, die ein Eintauchen erfordern, wurden nicht für die Verwendung auf Oberflächen getestet.

So reinigen und desinfizieren Sie das Stativ

Die äußere Oberfläche des Stativs kann mit Hilfe eines empfohlenen Reinigungs- oder Desinfektionsmittels gereinigt oder desinfiziert werden. Eine aktuelle Liste mit zugelassenen Produkten finden Sie unter www.sonosite.com.

- 1 Das System entfernen, das Netzteil trennen und alle Kabel abziehen.
- 2 Oberflächen mit einem weichen Tuch abwischen, das mit einer milden Seife oder einer Reinigungslösung befeuchtet wurde.
Die Lösung auf das Tuch und nicht auf die Oberfläche auftragen.
- 3 Oberflächen mit der Desinfektionsmittellösung abwischen.
- 4 Das Gerät an der Luft trocknen lassen oder es mit einem trockenen, sauberen Tuch abwischen.

Informationen zur Reinigung der Peripheriegeräte sind den Anweisungen der jeweiligen Hersteller zu entnehmen.

Sicherheit

Für optimale Sicherheit sind vor dem Gebrauch von Zubehör und Peripheriegeräten mit dem Ultraschallsystem und den Schallköpfen die folgenden Warn- und Vorsichtshinweise zu beachten.

Elektrische Sicherheit

- WARNHINWEIS:** Um die Gefahr von Stromschlägen zu vermeiden, dürfen an die Netzstrombuchsen des V-Universal-Stativs weder eine tragbare Mehrfachsteckdose noch ein Verlängerungskabel angeschlossen werden.
- WARNHINWEIS:** Zur Vermeidung von elektrischen Schlägen ist das Gerät nur bei ordnungsgemäßer Erdung zu verwenden. Wenn das Netzteil nicht ordnungsgemäß geerdet ist, besteht die Gefahr eines elektrischen Schlags. Die Zuverlässigkeit einer Erdung lässt sich nur dann sicherstellen, wenn das Gerät im Krankenhaus an eine entsprechende Wandsteckdose angeschlossen wird. Die Erdungsader darf nicht entfernt oder umgangen werden.
- WARNHINWEIS:** Um das Risiko eines elektrischen Schlags und Brandgefahr zu vermeiden, Netzteil, Stecker, Kabel und Netzstromkabel in regelmäßigen Abständen überprüfen.
- WARNHINWEIS:** Um einen elektrischen Schlag zu vermeiden, sollten nur von SonoSite empfohlene Zubehörteile und Peripheriegeräte (einschließlich Netzteil) verwendet werden. Der Anschluss von nicht von SonoSite empfohlenen Peripheriegeräten und Zubehörteilen kann zu einem elektrischen Schlag führen. Eine Liste der durch SonoSite vertriebenen oder empfohlenen Peripheriegeräte und Zubehörteile ist bei SonoSite oder Ihrem örtlichen Kundendienstvertreter erhältlich.
- WARNHINWEIS:** Um einen möglichen elektrischen Schlag oder elektromagnetische Störungen zu vermeiden, sind alle Geräte vor ihrem klinischen Einsatz auf einwandfreie Funktionstüchtigkeit und Einhaltung der einschlägigen Sicherheitsnormen zu überprüfen. Durch den Anschluss zusätzlicher Geräte an das Ultraschallsystem entsteht ein medizinisches System. SonoSite empfiehlt, das System, alle Gerätekombinationen und an das Ultraschallsystem angeschlossene Zubehörteile auf Einhaltung der JACHO-Installationsvorschriften und/oder Sicherheitsnormen AAMI-ES1, NFPA99 oder die IEC-Norm 60601-1-1 und die IEC-Norm 60601-1-2 zu überprüfen und sicherzustellen, dass sie gemäß IEC-Norm 60950 (Anlagen der Informationstechnik) zertifiziert sind.

Gerätesicherheit

- Vorsichtshinweis:** | Übermäßiges Biegen oder Verdrehen der Kabel kann zu einem Defekt oder zum zeitweiligen Aussetzen des Betriebs führen.
- Vorsichtshinweis:** | Unsachgemäße Reinigung oder Desinfektion des Zubehörs bzw. der Peripheriegeräte kann permanenten Schaden verursachen. Anweisungen zur Reinigung und Desinfektion finden Sie unter „**Reinigung und Desinfektion**“ auf Seite 11 sowie in der Bedienungsanleitung des Herstellers.
- Vorsichtshinweis:** | Freiliegende Metallteile an den Signalein- und -ausgängen auf der Rückseite und den Seiten des Ultraschallsystems sind nicht geerdet. Dieses Teil darf keinem Erdungswiderstandstest hoher Stromstärke unterzogen werden.

Klinische Sicherheit

- WARNHINWEIS:** | Um Fehldiagnosen zu vermeiden, keine nicht für medizinische Geräte zugelassenen (handelsüblichen) peripheren Monitore verwenden. Diese Monitore wurden von SonoSite weder geprüft noch für Diagnosezwecke freigegeben.

Elektromagnetische Verträglichkeit (EMV)

Informationen zur elektromagnetischen Verträglichkeit gemäß IEC 60601-1-2, einschließlich der Herstellererklärung, sind den Hinweisen zur Sicherheit im Benutzerhandbuch für das Ultraschallsystem und den ergänzenden Handbüchern zu entnehmen.

Technische Daten

Informationen zu den Peripheriegeräten sind den technischen Daten der jeweiligen Hersteller zu entnehmen.

Stativabmessungen

Breite: 51 cm

Länge: 59 cm

Höhe: 138,5 cm max., 108 cm min.

Höhenverstellung: 30,5 cm

Gewicht: 16,8 kg Basic, 20,4 kg Deluxe

Grenzwerte für Temperatur und Luftfeuchtigkeit

Betrieb: 10 bis 65 °C, 15 bis 95 % relative Luftfeuchtigkeit

Versand/Lagerung: -35 bis 65 °C, 15 bis 95 % relative Luftfeuchtigkeit

Peripheriegeräte

Für medizinische Geräte zugelassen

Schwarzweißdrucker

Wenden Sie sich unter der Telefonnummer +1-800-686-7669 oder über www.sony.com/professional an Sony, um Druckerpapier zu bestellen oder den Namen und die Telefonnummer Ihres lokalen Vertriebshändlers zu erfahren.

DVD-Rekorder (Nur S Series. Seit Juli 2012 wird der DVD-Rekorder nicht mehr vom V-Universal-Stativ unterstützt.)

Nicht medizinisch zugelassen

USB-Tastatur (nur S Series)

BASE V-UNIVERSAL

Manual para el usuario

CE

Fabricante

FUJIFILM SonoSite, Inc.

21919 30th Drive SE
Bothell, WA 98021
USA
Tel.: +1-888-482-9449 o +1-425-951-1200
Fax: +1-425-951-1201

Representante autorizado en la CE

FUJIFILM SonoSite, Ltd.

Alexander House
40A Wilbury Way
Hitchin
Herts SG4 OAP
UK
Tel.: +44-1462-444800
Fax: +44-1462-444801

Atención: | La ley federal de Estados Unidos limita la venta de este dispositivo únicamente a médicos o bajo prescripción facultativa.

NanoMaxx, S Series, SonoSite, V-Universal, SonoSite y el logotipo de SonoSite son marcas comerciales o marcas registradas de FUJIFILM SonoSite, Inc. en varias jurisdicciones.

Todas las demás marcas comerciales pertenecen a sus respectivos propietarios.

P09557-02 1/2013

Copyright © 2013 by FUJIFILM SonoSite, Inc.

Reservados todos los derechos.

Manual para el usuario de la base V-Universal

Contenido

Introducción	1
Características de la base	3
Información básica de la base	4
Conexión del sistema de ecografía	5
Desconexión del sistema de ecografía	6
Uso de la impresora	7
Uso del conector de transductor triple	7
Uso de la grabadora DVD	9
Solución de problemas	10
Limpieza y desinfección	11
Seguridad	12
Especificaciones	13

Introducción

El *Manual para el usuario de la base V-Universal* explica cómo utilizar la base V-Universal y sus periféricos. Para obtener información acerca de un periférico, consulte las instrucciones de funcionamiento del fabricante que se suministran con el producto. Para obtener información acerca de los transductores del sistema de ecografía NanoMaxx o del sistema de ecografía S Series, consulte el manual para el usuario del sistema de ecografía.

Si necesita desmontar la base, consulte las instrucciones para el montaje de la base V-Universal, incluidas con la base y disponibles en www.sonosite.com.

- ADVERTENCIA:** Para evitar lesiones al paciente, diagnósticos incorrectos, o lesiones al propio usuario, lea todas las advertencias del manual para el usuario del sistema de ecografía y las guías suplementarias.
- ADVERTENCIA:** Para evitar lesiones o daños a equipos como consecuencia del vuelco de la base, no aplique una fuerza excesiva sobre la misma. La colocación de la plataforma de la base en un nivel bajo puede ayudar a aliviar este peligro potencial.
- ADVERTENCIA:** Para evitar posibles lesiones o daños a equipos, coloque el sistema a la menor altura posible sobre la base antes de proceder a su transporte.

Convenciones

El manual para el usuario sigue las siguientes convenciones:

- Los mensajes de **ADVERTENCIA** describen las precauciones necesarias para evitar lesiones o situaciones que entrañen peligro de muerte.
- Los mensajes de **Atención** describen las precauciones necesarias para proteger los productos.
- Los pasos que aparecen numerados en las intervenciones deben ejecutarse en orden.
- Los elementos de las listas con viñetas no necesitan una secuencia.
- Las intervenciones de un solo paso empiezan por ❖.

Los símbolos y términos utilizados en el sistema se explican en el Manual para el usuario del sistema de ecografía.

Asistencia técnica y comentarios

Nos complace recibir sus preguntas y comentarios. La empresa SonoSite está interesada en conocer sus comentarios sobre el sistema y el manual para el usuario. Desde Estados Unidos, llame al número de teléfono de SonoSite +1-888-482-9449. Fuera de Estados Unidos, llame al representante local más próximo de SonoSite.

Para obtener asistencia técnica, póngase en contacto con SonoSite por los siguientes medios:

Departamento de asistencia técnica de SonoSite

Teléfono (Estados Unidos y Canadá):	+1-877-657-8118
Teléfono (Fuera de Estados Unidos y Canadá):	+1-425-951-1330 O bien llame a su representante local.
Fax:	+1-425-951-6700
Correo electrónico:	service@sonosite.com
Sitio Web:	www.sonosite.com

Centro de servicio al cliente en Europa

Teléfono:	+44-(0)1462-444-800
Correo electrónico:	uk.service@sonosite.com

Características de la base

La base proporciona una plataforma de trabajo móvil y un espacio para el almacenamiento de transductores y otros materiales. También proporciona conexiones para accesorios y periféricos.

ADVERTENCIA: Para evitar el riesgo de descarga eléctrica y lesiones, el equipo debe conectarse a un circuito de suministro monofásico con toma central cuando los usuarios de los Estados Unidos conecten el equipo a un sistema de alimentación de 240 V.

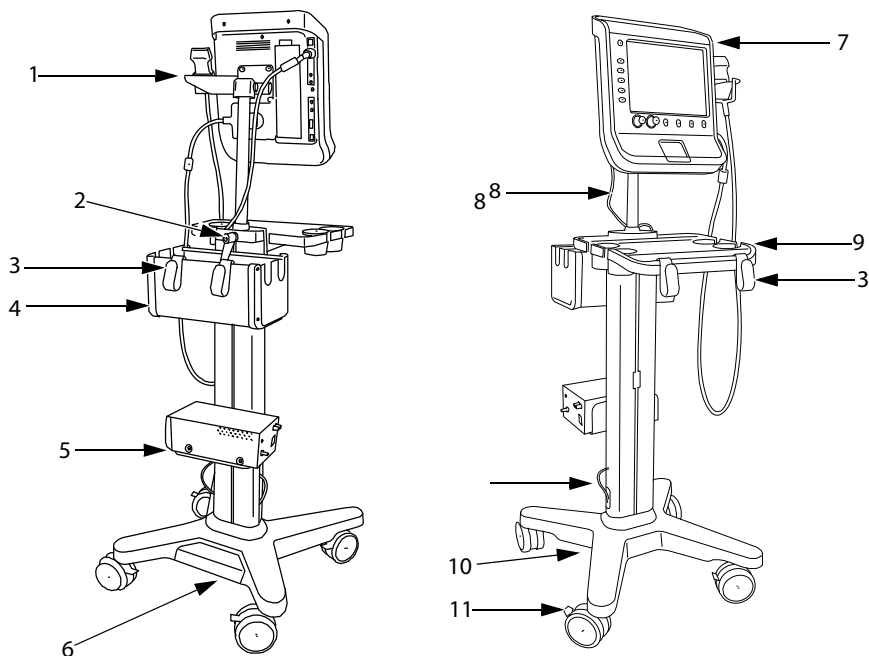


Figura 1 Base V-Universal: vistas posterior y delantera (mostrada con el sistema de ecografía S Series e impresora, cesta y bandeja opcionales)

1	Soporte de transductor
2	Palanca de ajuste de la altura
3	Ganchos para cables y otros elementos (se incluyen con la bandeja y la cesta)
4	Cesta (opcional)
5	Estante para impresora en blanco y negro (opcional)
6	Adaptador CA 1: conector para el cable de alimentación del sistema

7	Sistema de ecografía
8	Cable de alimentación de CC
9	Bandeja (opcional)
10	Adaptador CA 2: conector para el cable de alimentación de CA (debajo de la base)
11	Palanca de bloqueo en la rueda

Información básica de la base

Para levantar o bajar el sistema de ecografía

- 1 Asegúrese de que la zona de encima de la columna está vacía.
- 2 Gire la palanca de ajuste de la altura hacia la izquierda.
El poste se puede elevar de manera automática desde la columna.
- 3 Levante o baje el poste hasta alcanzar la altura deseada y, seguidamente, apriete la palanca.
Gire la palanca hacia la derecha para apretarla.
Si baja el poste, evite agarrar su base, dado que su piel podría quedar atrapada o pellizcada en el hueco.
- 4 Si desea cambiar la palanca de posición (por ejemplo, paralela al poste), tire de la palanca hacia fuera, gírela hasta la posición deseada y suéltela.

Para bloquear o desbloquear una rueda

- ❖ Presione la palanca de bloqueo en la rueda:
 - Presione para bloquear.
 - Presione y levante para desbloquear.

Para ajustar el ángulo del sistema

- 1 Bloquee dos o más ruedas.
- 2 Utilizando las dos manos, gire el sistema hacia arriba o hacia abajo o de un lado a otro.

Conexión del sistema de ecografía

El soporte del transductor se conecta al sistema antes de que el sistema se conecte a la placa de montaje de la base.

Para conectar el soporte del transductor

- 1 Coloque el soporte del transductor en la parte trasera del sistema con la taza mirando hacia delante.

En el caso de NanoMaxx, el extremo pequeño de la taza apunta hacia arriba.

- 2 Con un destornillador Phillips, apriete los cuatro tornillos. Consulte [Figura 2](#).

En el NanoMaxx, los orificios de los tornillos están desviados.

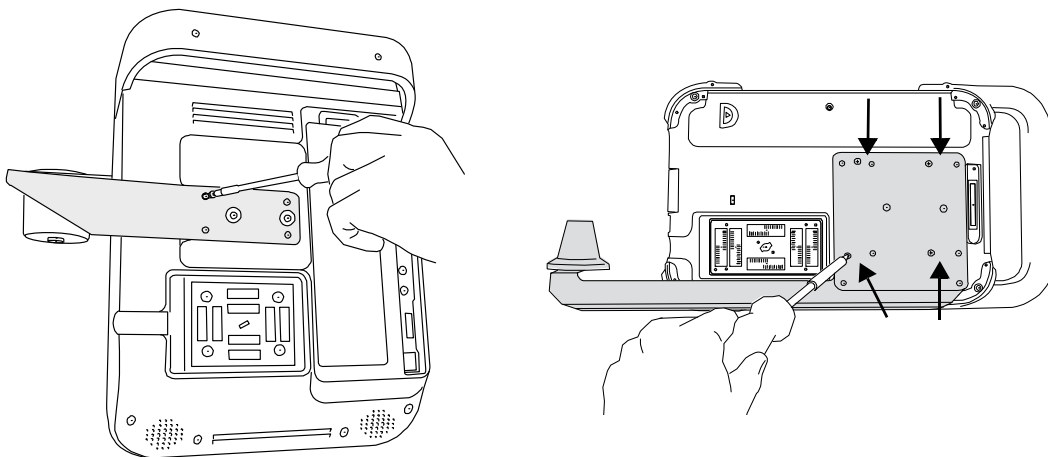


Figura 2 Coloque los tornillos en el soporte del transductor: S Series (a la izquierda) y NanoMaxx (a la derecha)

Para conectar el sistema de ecografía

- 1 (NanoMaxx solamente) Conecte el módulo de acoplamiento NanoMaxx o el adaptador exclusivamente de corriente al sistema.
- 2 Conecte el soporte del transductor al sistema.
- 3 Coloque la parte posterior del sistema sobre la placa de montaje.

Las dos clavijas de la placa de montaje atraviesan el soporte del transductor y, en el sistema S Series, hasta encajarse en los dos orificios grandes del sistema.

- 4 Apriete los tornillos de cada una de las cuatro esquinas del sistema hasta que quede bien fijado. Apriete con un destornillador Phillips. Consulte [Figura 3](#).

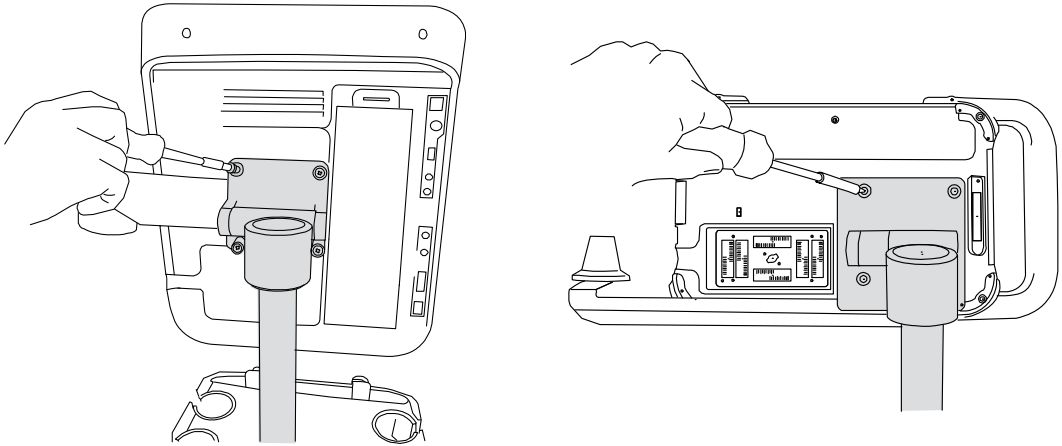


Figura 3 Coloque los tornillos en la placa de montaje: S Series (a la izquierda) y NanoMaxx (a la derecha)

Para conectar la alimentación de CA

- ❖ Conecte los cables siguientes. Consulte [Figura 1](#) en la página 3.
 - Cable de alimentación de CC
 - Cable de alimentación en CA del sistema

Desconexión del sistema de ecografía

Para desconectar el sistema de ecografía

- 1 Apoye el sistema de ecografía y afloje los tornillos de cada una de las cuatro esquinas de la placa de montaje. Si es necesario, utilice un destornillador Phillips. Consulte [Figura 3](#).

Al apoyar el sistema se asegurará de que no se cae cuando se suelta.

- 2 Levante el sistema de la base.

El sistema se levanta de las dos clavijas de la placa de montaje.

Para extraer el soporte del transductor

- ❖ Con un destornillador Phillips, afloje los cuatro tornillos de la parte trasera del soporte del transductor. Consulte [Figura 2](#).

Uso de la impresora

ADVERTENCIA: Para evitar el riesgo de descargas eléctricas y lesiones, no conecte más de un periférico al mismo tiempo.

Atención: Para evitar daños en el sistema, utilice con el sistema de ecografía únicamente los periféricos recomendados por SonoSite.

Impresora

Los sistemas de ultrasonido NanoMaxx y S Series son compatibles con la impresora.

En las instrucciones del fabricante puede consultar información referente al uso de la impresora, incluidas las advertencias y precauciones.

Para configurar el sistema para la impresora, consulte el manual del usuario del sistema de ecografía. Puede configurar el sistema desde la página de configuración Conectividad.

Para conectar la impresora, consulte las instrucciones de montaje de la base V Universal.

Para imprimir la pantalla

Nota: Lleve a cabo una impresión de prueba antes de realizar un examen de paciente, para asegurarse de que sean correctas todas las conexiones.

❖ Utilice los mandos de la impresora para imprimir imágenes. Siga las instrucciones del fabricante. Además puede guardar imágenes e imprimirlas de la lista de pacientes. Consulte las instrucciones en el manual para el usuario del sistema de ecografía.

Uso del conector de transductor triple

El sistema de ecografía S Series es compatible con el conector de transductor triple (TTC). El TTC es un módulo opcional que permite la conexión de hasta tres transductores simultáneamente, mientras el sistema de ecografía esté acoplado.

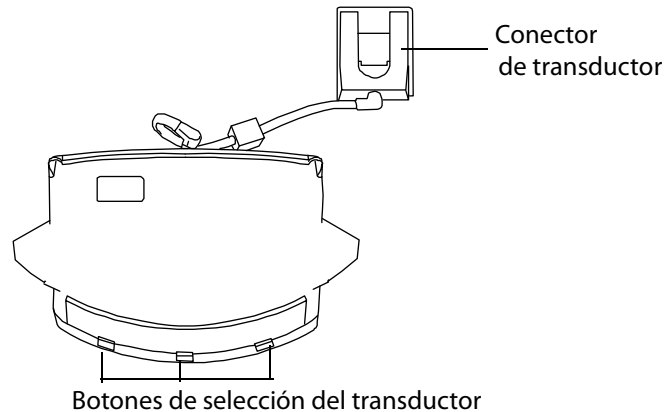


Figura 4 Conector de transductor triple

Para conectar un transductor al TTC

- 1 Tire de la palanca del transductor hacia arriba y gírela 90°.
- 2 Alinee e introduzca el conector del transductor en el conector situado en la parte inferior del TTC.
- 3 Gire la palanca y empújela hacia abajo, acoplando el conector del transductor al conector del TTC.

Para seleccionar un transductor

Nota: Cuando utilice el TTC, puede que se produzca una reducción mínima de la penetración del transductor.

- ❖ Con el sistema encendido, pulse un botón de selección en el TTC para seleccionar el transductor deseado.

Al seleccionar otro transductor, la luz del botón se ilumina brevemente y luego se vuelve de color verde.

El transductor aparece en la sección de estado del sistema de la pantalla y el sistema selecciona el tipo de examen por defecto para el transductor seleccionado.

Únicamente podrá utilizar un transductor a la vez.

Para quitar el TTC para el servicio

- 1 Retire cualquier transductor conectado.
- 2 Desconecte el conector del transductor del sistema.
- 3 Abra las tapas de la cubierta del TTC con un destornillador de cabeza plana.
- 4 Mantenga pulsado el botón TTC para apoyarlo y use la llave Allen 5/32" (la más grande) para quitar los cuatro tornillos debajo de las tapas.

Uso de la grabadora DVD

ADVERTENCIA: Para evitar el riesgo de descargas eléctricas y lesiones, no conecte más de un periférico al mismo tiempo.

Atención: Para evitar daños en el sistema, utilice con el sistema de ecografía únicamente los periféricos recomendados por SonoSite.

Nota: A partir de julio de 2012, la grabadora de DVD ya no es compatible con la base V-Universal.

El sistema de ecografía S Series es compatible con la grabadora de DVD.

En las instrucciones del fabricante puede consultar información referente al uso de la grabadora de DVD, incluidas las advertencias y precauciones.

Para configurar el sistema para la grabadora de DVD, consulte el manual del usuario del sistema de ecografía. Puede configurar el sistema desde la página de configuración Conectividad.

Para conectar la grabadora de DVD, consulte las instrucciones para el montaje de la base V-Universal.

Para grabar imágenes

Nota: Lleve a cabo una grabación de prueba antes de realizar un examen de paciente, para asegurarse de que sean correctas todas las conexiones.

- 1 Encienda la grabadora de DVD.
- 2 Inserte un disco DVD grabable.
- 3 Para empezar y detener la grabación, use los mandos de la grabadora de DVD.

Con cada grabación se guarda un archivo nuevo en el DVD.

Para reproducir imágenes

- 1 En el sistema de ecografía, mantenga pulsada la tecla de almohadilla táctil y pulse la tecla de control que aparece en la esquina inferior derecha.
- 2 Pulse PLAY (reproducir) en la grabadora de DVD.

Si desea obtener más información, consulte las instrucciones del fabricante.

Solución de problemas de la grabadora de DVD

Problema	Solución
La grabadora de DVD no graba	<ul style="list-style-type: none">• Seleccione la configuración del puerto serie en la página de configuración Conectividad. Consulte el manual para el usuario del sistema de ecografía.• Compruebe las conexiones de los cables en la base y la grabadora de DVD. Consulte las instrucciones para el montaje de la base V-Universal.• Asegúrese de que la grabadora de DVD está encendida y configurada correctamente. Si es necesario, consulte las instrucciones del fabricante de la grabadora de DVD.
La grabadora de DVD no reproduce	<ul style="list-style-type: none">• Compruebe las conexiones de los cables en la base y la grabadora de DVD. Consulte las instrucciones para el montaje de la base V-Universal.• Asegúrese de que la configuración de la pantalla está ajustada a S-video. Siga las instrucciones del fabricante.

Solución de problemas

Problema	Solución
La impresora no funciona.	<ul style="list-style-type: none">• Compruebe la impresora seleccionada en la página de configuración de conectividad. Consulte el manual para el usuario del sistema de ecografía.• Compruebe las conexiones de los cables. Consulte las instrucciones para el montaje de la base V-Universal.• Verifique si la impresora está encendida y configurada correctamente. Si es necesario, consulte las instrucciones del fabricante de la impresora.
La base vuelca con mayor facilidad de lo esperado.	<ul style="list-style-type: none">• Baje el poste para bajar el sistema de ecografía y la bandeja opcional.• Evite colocar o colgar objetos pesados sobre el soporte. Demasiado peso puede ocasionar que el soporte se vuelva menos estable.

Limpieza y desinfección

- ADVERTENCIA:** Para evitar una descarga eléctrica, antes de empezar a limpiar, desconecte el sistema del cable de alimentación y desconéctelo de la base.
- ADVERTENCIA:** Para evitar lesiones, utilice siempre gafas y guantes de protección durante la limpieza y desinfección.
- ADVERTENCIA:** Para evitar infecciones, asegúrese de que la fecha de caducidad de la solución no haya vencido.
- ADVERTENCIA:** El nivel de desinfección requerido para un producto lo determina el tipo de tejido con el que entra en contacto durante su utilización. Asegúrese de que la concentración de la solución y el tiempo de contacto sean los apropiados para el equipo. Para obtener información, consulte las instrucciones de la etiqueta del desinfectante y las recomendaciones de la Association for Professionals in Infection Control and Epidemiology (APIC, Asociación de profesionales de epidemiología y control de infecciones) y la FDA.
- Atención:** Utilice solo limpiadores o desinfectantes recomendados para tratar las superficies del sistema. No se ha determinado el efecto de desinfectantes de inmersión en dichas superficies.

Para limpiar y desinfectar la base

Puede limpiar y desinfectar la superficie exterior de la base utilizando una solución de limpieza o un desinfectante recomendado. Puede consultar la lista más reciente de productos aprobados en www.sonosite.com.

- 1 Retire el sistema, desenchúfelo de la fuente de alimentación y desconecte los cables.
- 2 Limpie la superficie con un paño suave y ligeramente humedecido en una solución limpiadora con jabón o detergente neutros.
 Aplique la solución sobre el paño en lugar de hacerlo directamente sobre la superficie de la pantalla.
- 3 Limpie las superficies con la solución desinfectante.
- 4 Seque con un paño limpio o al aire.

Para obtener más información acerca de la limpieza de los periféricos, consulte las instrucciones del fabricante.

Seguridad

Para elevar al máximo la seguridad, respete los siguientes avisos de advertencia y atención antes de utilizar los accesorios y periféricos con el sistema de ecografía y los transductores.

Seguridad eléctrica

- ADVERTENCIA:** Para evitar el riesgo de descarga eléctrica, no conecte el cable de alimentación de la base V-Universal en un zócalo de múltiples tomas de corriente portátil (MPSO) o utilice un cable de extensión.
- ADVERTENCIA:** Para evitar el riesgo de descarga eléctrica, utilice solamente equipos con tomas adecuadas a tierra. Existe peligro de descarga si la fuente de alimentación no tiene una conexión a tierra adecuada. La fiabilidad de las tomas de tierra sólo se puede lograr cuando el equipo esté conectado a una toma marcada como “Sólo hospital” o “Calidad hospitalaria”, o equivalente. El cable de tierra no se debe retirar ni anular.
- ADVERTENCIA:** Para evitar el riesgo de descargas eléctricas y de incendios, inspeccione con regularidad si la fuente de alimentación, los enchufes, los cables y los cables de alimentación tienen algún daño.
- ADVERTENCIA:** Para evitar el riesgo de descarga eléctrica, utilice solamente los accesorios y periféricos recomendados por SonoSite, incluida la fuente de alimentación. La conexión de accesorios y periféricos no recomendados por SonoSite puede dar lugar a una descarga eléctrica. Póngase en contacto con SonoSite o con un representante local para obtener una lista de accesorios y periféricos disponibles o recomendados por SonoSite.
- ADVERTENCIA:** Para evitar posibles descargas eléctricas e interferencias electromagnéticas, verifique que todo el equipo funcione correctamente y cumpla con las normas de seguridad pertinentes antes de su uso en un entorno clínico. La conexión de equipos adicionales al sistema de ecografía significa configurar un sistema médico. SonoSite recomienda verificar que el sistema, todas las combinaciones de equipo y los accesorios conectados al sistema de ecografía cumplan con los requisitos de instalación de JACHO y/o normas de seguridad tales como AAMI-ES1, NFPA 99, IEC 60601-1-1 e IEC 60601-1-2 y posean la certificación según la norma IEC 60950 (ITE, Information Technology Equipment o equipos de tecnología de la información).

Seguridad del equipo

- Atención:** Doblar o retorcer los cables en exceso puede provocar un fallo o un funcionamiento intermitente.
- Atención:** La limpieza o desinfección incorrectas de cualquier parte de los accesorios y periféricos puede causar daños permanentes. Puede consultar las instrucciones de limpieza y desinfección en **“Limpieza y desinfección”** en la página 11 y en las instrucciones del fabricante.
- Atención:** El metal accesible en las entradas y salidas de señal en la parte trasera y lateral del sistema de ecografía no está protegido con toma de tierra. No realice pruebas de impedancia con toma a tierra de alta corriente en las que se utilice dicha parte.

Seguridad clínica

- ADVERTENCIA:** Para evitar diagnósticos incorrectos, no use monitores periféricos de calidad no médica (comerciales). SonoSite no ha verificado ni validado como adecuados para diagnóstico los monitores de este tipo.

Compatibilidad electromagnética (EMC)

En el manual para el usuario del sistema de ecografía y las guías suplementarias puede consultar información acerca de la compatibilidad electromagnética con IEC 60601-1-2, incluida la declaración del fabricante.

Especificaciones

Para obtener más información acerca de los periféricos, consulte las especificaciones del fabricante.

Dimensiones de la base

Anchura: 51 cm

Longitud: 59 cm

Altura: 138,5 cm máx., 108 cm mín.

Intervalo de altura: 30,5 cm

Peso: 16,8 kg básico, 20,4 kg deluxe

Límites de humedad y temperatura

En funcionamiento: 10–40 °C; humedad relativa 15–95%

Almacenamiento y envío: -35–65 °C; humedad relativa 15–95%

Periféricos

Aplicaciones médicas

Impresora en blanco y negro

Para realizar pedidos de papel de impresión, póngase en contacto con Sony llamando al +1-800-686-7669 o visite la página www.sony.com/professional para realizar pedidos de papel o buscar un distribuidor local.

Grabadora de DVD (sólo S Series. A partir de julio de 2012, la grabadora de DVD ya no es compatible con la base V-Universal).

Para aplicaciones no médicas

Teclado USB (sólo S Series)

Station V-Universal

Guide d'utilisation

CE

Fabricant

FUJIFILM SonoSite, Inc.

21919 30th Drive SE
Bothell, WA 98021
États-Unis
Tél. : +1-888-482-9449 ou +1-425-951-1200
Fax : +1-425-951-1201

Représentant agréé auprès de la CE

FUJIFILM SonoSite, Ltd.

Alexander House
40A Wilbury Way
Hitchin
Herts SG4 OAP
Royaume-Uni
Tél. : +44-1462-444800
Fax : +44-1462-444801

Mise en garde: | En vertu de la loi fédérale américaine, ce produit ne peut être vendu que par un médecin ou à sa demande.

NanoMaxx, S Series, V-Universal, SonoSite et le logo SonoSite sont des marques de commerce ou des marques déposées de FUJIFILM SonoSite, Inc. dans diverses juridictions.

Toutes les autres marques sont la propriété de leurs détenteurs respectifs.

P09557-02 1/2013

Copyright © 2013 par FUJIFILM SonoSite, Inc.

Tous droits réservés.

Guide d'utilisation de la station V-Universal

Sommaire

Introduction	1
Fonctionnalités de la station	3
Notions de base de la station	4
Fixation de l'échographe	5
Retrait de l'échographe	6
Utilisation de l'imprimante	7
Utilisation du connecteur de sonde triple	7
Utilisation de l'enregistreur de DVD	9
Dépannage	10
Nettoyage et désinfection	11
Sécurité	12
Spécifications	13

Introduction

Le *Guide d'utilisation de la station V-Universal* explique l'utilisation de la station V-Universal et de ses périphériques. Pour plus d'informations sur les périphériques, consulter le mode d'emploi de ce produit. Pour plus d'informations sur les sondes, l'échographe NanoMaxx et l'échographe S Series, consulter le guide d'utilisation de l'échographe en question.

Pour désassembler la station, se reporter aux instructions d'assemblage de la station V-Universal fournies avec la station et sur le site www.sonosite.com.

- AVERTISSEMENT:** Pour éviter tout risque de blessure du patient ou de l'opérateur et toute erreur de diagnostic, lire l'ensemble des avertissements présentés dans le guide d'utilisation de l'échographe et les guides complémentaires.
- AVERTISSEMENT:** Pour éviter tout risque de blessure ou d'endommagement du matériel pouvant résulter du renversement d'une station, ne pas exercer de force inutile sur la station. Placer la plate-forme de la station à un niveau bas devrait permettre d'atténuer ce danger potentiel.
- AVERTISSEMENT:** De manière à éviter toute blessure potentielle ou tout endommagement possible de l'équipement, placer le système à la hauteur la plus basse possible sur la station avant tout déplacement du système.

Conventions

Le guide d'utilisation emploie les conventions suivantes :

- Un **AVERTISSEMENT** décrit les précautions qu'il convient de prendre pour éviter tout risque de blessure ou de décès.
- Une **Mise en garde** décrit les précautions qu'il convient de prendre pour protéger les produits contre tout dommage.
- Les étapes numérotées d'une procédure doivent être exécutées dans un ordre particulier.
- Les informations présentées dans les listes à puces n'impliquent aucun ordre d'exécution particulier.
- Les procédures comportant une seule étape commencent par ❖.

Les symboles et termes utilisés sur l'échographe sont expliqués dans son guide d'utilisation.

Assistance à la clientèle et commentaires

Tous les commentaires et questions sont les bienvenus. SonoSite porte un intérêt particulier aux remarques des utilisateurs concernant l'échographe et le guide d'utilisation. Aux États-Unis, appeler SonoSite au +1-888-482-9449. En dehors des États-Unis, appeler le représentant SonoSite le plus proche.

Pour toute assistance technique, contacter SonoSite :

Support technique SonoSite

Tél. (États-Unis ou Canada) :	+1-877-657-8118
Tél. (hors États-Unis et Canada) :	+1-425-951-1330 Ou contacter un représentant local.
Fax :	+1-425-951-6700
E-mail :	service@sonosite.com
Site Web :	www.sonosite.com

Centre de réparation Europe

Téléphone :	+44-(0)1462-444-800
E-mail :	uk.service@sonosite.com

Fonctionnalités de la station

La station constitue une plate-forme de travail mobile et un espace de rangement pour les sondes et autres fournitures. Elle permet également la connexion d'accessoires et de périphériques.

AVERTISSEMENT : Pour éviter tout risque d'électrocution ou de blessure, lorsque les utilisateurs aux États-Unis connectent le matériel à un réseau d'alimentation de 240V, le matériel doit être connecté à un circuit d'alimentation monophasé à prise médiane.

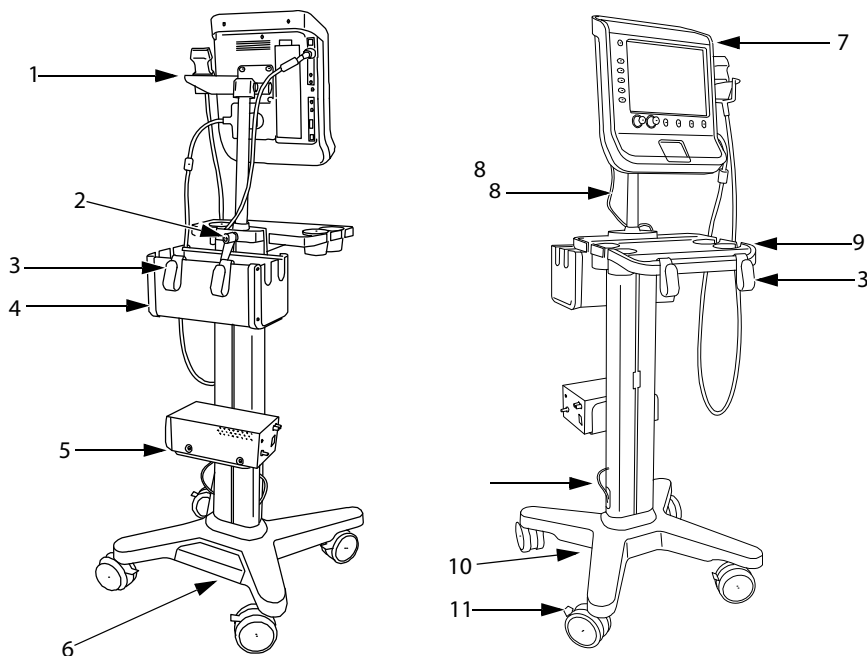


Figure 1 Station V-Universal : Vues arrière et avant (représentées avec l'échographe S Series et l'imprimante, le panier et le plateau facultatifs)

1	Porte-sonde
2	Levier de réglage de hauteur
3	Crochets de fixation des câbles et d'autres éléments (fournis avec plateau et panier)
4	Panier (facultatif)
5	Étagère pour imprimante noir et blanc (facultative)
6	Adaptateur secteur 1 : Connecteur pour cordon d'alimentation du système

7	Échographe
8	Cordon d'alimentation c.c.
9	Plateau (facultatif)
10	Adaptateur secteur 2 : Connecteur pour cordon d'alimentation secteur (sous le socle de la station)
11	Levier de blocage sur roue

Notions de base de la station

Pour élever ou abaisser l'échographe

- 1 Vérifier que la zone au-dessus de la colonne est libre de tout obstacle.
- 2 Tourner le levier de réglage de la hauteur dans le sens anti-horaire.
Le vérin peut sortir automatiquement de la colonne
- 3 Relever ou abaisser le vérin jusqu'à la hauteur souhaitée et serrer le levier.
Pour serrer le levier, le tourner dans le sens horaire.
En abaissant le vérin, éviter de le tenir à la base. La peau risquerait de se trouver prise et pincée dans l'espace.
- 4 Pour repositionner le levier (parallèlement au vérin par exemple), tirer le levier vers soi, le régler sur la position souhaitée et relâcher.

Pour verrouiller ou déverrouiller une roue

- ❖ Appuyer sur le levier de blocage sur la roue :
 - Appuyer vers le bas pour verrouiller.
 - Appuyer vers le haut pour déverrouiller.

Pour régler l'angle du système

- 1 Verrouiller deux ou plusieurs roues.
- 2 À l'aide des deux mains, faire pivoter le système vers le haut ou vers le bas ou d'un côté à l'autre.

Fixation de l'échographe

Le porte-sonde est fixé à l'échographe avant que celui-ci ne soit attaché à la plaque de fixation de la station.

Pour attacher le porte-sonde

- 1 Placer le porte-sonde sur l'arrière de l'échographe, le godet étant orienté vers l'avant.
En cas d'utilisation de l'échographe NanoMaxx, la petite extrémité du godet doit être orientée vers le haut.
- 2 À l'aide d'un tournevis cruciforme, resserrer les quatre vis. Voir la section [Figure 2](#).
Avec l'échographe NanoMaxx, les orifices destinés à accueillir les vis sont décalés.

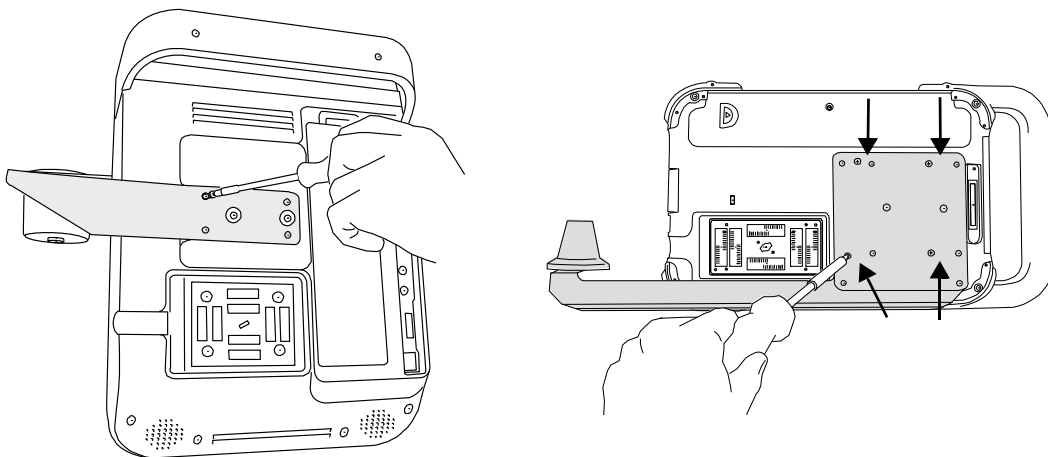


Figure 2 Serrer les vis sur le porte-sonde : S Series (à gauche) et NanoMaxx (à droite)

Pour fixer l'échographe

- 1 (NanoMaxx uniquement) Connecter le dock NanoMaxx ou l'adaptateur secteur au système.
- 2 Fixer le porte-sonde à l'échographe.
- 3 Placer la face arrière de l'échographe sur la plaque de fixation.

Les deux chevilles de la plaque de fixation passent à travers le porte-sonde et, sur l'échographe S Series, dans les deux grands trous disponibles sur l'échographe.

- 4 Serrer la vis aux quatre coins de l'échographe jusqu'à ce que celui-ci soit stable. Utiliser un tournevis cruciforme. Voir la section **Figure 3**.

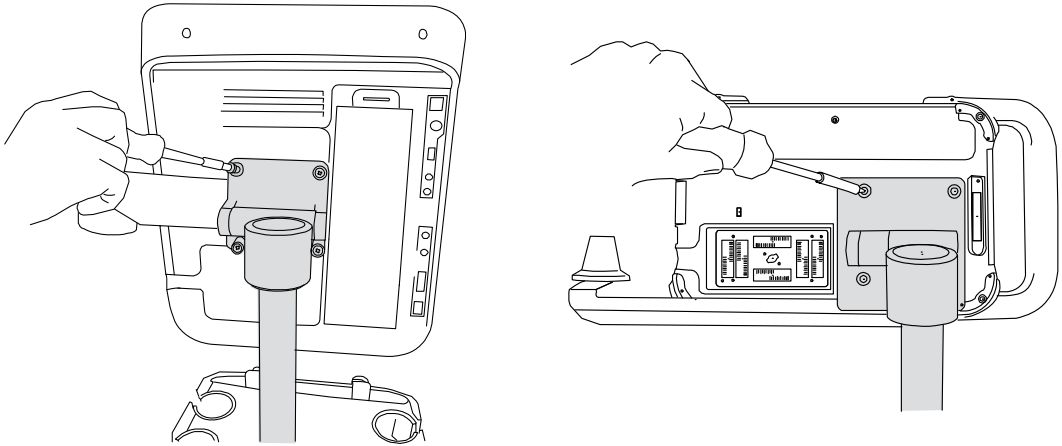


Figure 3 Serrer les vis sur la plaque de fixation : S Series (à gauche) et NanoMaxx (à droite)

Pour connecter l'alimentation CA

- ❖ Connecter les cordons suivants. Voir la section **Figure 1**, page 3.
 - Cordon d'alimentation c.c.
 - Cordon d'alimentation secteur de l'échographe

Retrait de l'échographe

Pour retirer l'échographe

- 1 Soutenir l'échographe et desserrer les vis aux quatre coins de la plaque de fixation. Si nécessaire, utiliser un tournevis cruciforme. Voir la section **Figure 3**.

La présence d'un soutien retient l'échographe lorsque les vis sont desserrées.

- 2 Soulever l'échographe de la station.

L'échographe est retiré des deux chevilles de la plaque de fixation.

Pour retirer le porte-sonde

- ❖ Utiliser un tournevis cruciforme, desserrer les quatre vis situées à l'arrière du porte-sonde. Voir la section **Figure 2**.

Utilisation de l'imprimante

AVERTISSEMENT : Pour éviter tout risque d'électrocution ou de blessure, ne connecter qu'un périphérique à la fois.

Mise en garde : Pour éviter d'endommager l'échographe, utiliser uniquement les périphériques recommandés par SonoSite avec l'appareil.

Imprimante

Les échographes NanoMaxx et S Series prennent en charge l'imprimante.

Pour consulter les instructions d'utilisation de l'imprimante, y compris les avertissements et mises en garde, se reporter au mode d'emploi correspondant.

Pour configurer le système pour l'imprimante, se reporter au guide d'utilisation de l'échographe. Configurer l'imprimante dans la page de configuration de la connectivité.

Pour connecter l'imprimante, se reporter aux instructions d'assemblage de la station V-Universal.

Pour imprimer l'écran

Remarque : Tester l'imprimante avant de réaliser un examen patient afin de s'assurer que toutes les connexions sont correctes.

- ❖ Utiliser les commandes de l'imprimante pour l'impression d'images. Suivre les instructions du fabricant.

L'opérateur peut aussi enregistrer des images et les imprimer depuis la liste de patients. Pour obtenir des instructions, se reporter au guide d'utilisation de l'échographe.

Utilisation du connecteur de sonde triple

L'échographe S Series prend en charge le connecteur de sonde triple (TTC). Le TTC est un module optionnel à trois sondes qui permet de connecter simultanément jusqu'à trois sondes lorsque l'échographe se trouve dans la station d'accueil.

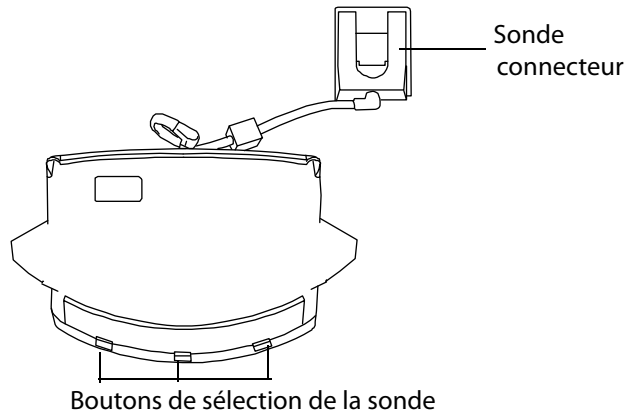


Figure 4 Connexion de sonde triple

Pour connecter une sonde au TTC

- 1 Relever le verrou de la sonde et le faire pivoter de 90°.
- 2 Aligner le connecteur de la sonde sur le connecteur situé en dessous du TTC, puis l'insérer.
- 3 Tourner le verrou et appuyer, afin de fixer le connecteur de la sonde sur le TTC.

Pour sélectionner une sonde

Remarque : L'utilisation du TTC peut entraîner une légère réduction de la pénétration de la sonde.

- ❖ Lorsque l'échographe est allumé, appuyer sur le bouton de sélection de sonde du TTC pour sélectionner la sonde souhaitée.

Si une autre sonde est sélectionnée, le voyant du bouton clignote pendant quelques instants, puis devient vert.

La sonde apparaît à l'écran dans la zone d'état du système et l'échographe sélectionne le type d'examen par défaut pour la sonde sélectionnée.

Il n'est pas possible d'accéder simultanément à plusieurs sondes.

Pour retirer le TTC et le réparer

- 1 Retirer toutes les sondes attachées.
- 2 Déconnecter le connecteur de la sonde de l'échographe.
- 3 Ouvrir le couvercle du TTC à l'aide d'un tournevis plat.
- 4 Tenir fermement l'arrière du TTC et utiliser une clé Allen 5/32 po (grande) pour retirer les quatre vis situées sous le couvercle.

Utilisation de l'enregistreur de DVD

AVERTISSEMENT : Pour éviter tout risque d'électrocution ou de blessure, ne connecter qu'un périphérique à la fois.

Mise en garde : Pour éviter d'endommager l'échographe, utiliser uniquement les périphériques recommandés par SonoSite avec l'appareil.

Remarque : A compter de Juillet 2012, l'enregistreur DVD n'est pas pris en charge avec la station V-Universal.

L'échographe S Series prend en charge l'enregistreur de DVD.

Pour consulter les instructions d'utilisation de l'enregistreur de DVD, y compris les avertissements et mises en garde, se reporter au mode d'emploi correspondant.

Pour configurer le système pour l'enregistreur DVD, se reporter au guide d'utilisation de l'échographe. Configurer l'imprimante dans la page de configuration de la connectivité.

Pour connecter l'enregistreur DVD, se reporter aux instructions d'assemblage de la station V-Universal.

Pour enregistrer des images

Remarque : Tester l'enregistreur avant de réaliser un examen du patient afin de s'assurer que toutes les connexions sont correctes.

- 1 Mettre l'enregistreur de DVD sous tension.
- 2 Insérer un DVD inscriptible.
- 3 Utiliser les commandes de l'enregistreur de DVD pour démarrer et arrêter l'enregistrement.
À chaque enregistrement, un nouveau fichier est enregistré sur le DVD.

Pour lire des images

- 1 Sur l'échographe, maintenir la touche du pavé tactile enfoncée et appuyer sur la touche de contrôle dans le coin inférieur droit.
- 2 Appuyer sur la touche de LECTURE de l'enregistreur de DVD.

Pour plus d'informations, se reporter aux instructions du fabricant.

Dépannage de l'enregistreur de DVD

Symptôme	Solution
L'enregistreur de DVD n'enregistre pas.	<ul style="list-style-type: none">• Vérifier le réglage du port série dans la page de configuration de la connectivité. Se référer au guide d'utilisation de l'échographe.• Vérifier la connexion des câbles sur le socle et l'enregistreur de DVD. Voir les instructions d'assemblage de la station V-Universal.• Vérifier que l'enregistreur de DVD est sous tension et correctement configuré. Si nécessaire, consulter le mode d'emploi de l'enregistreur de DVD.
L'enregistreur de DVD ne lit pas.	<ul style="list-style-type: none">• Vérifier la connexion des câbles sur le socle et l'enregistreur de DVD. Voir les instructions d'assemblage de la station V-Universal.• Vérifier que le paramètre d'affichage est bien réglé sur S-vidéo. Suivre les instructions du fabricant.

Dépannage

Symptôme	Solution
L'imprimante n'imprime pas.	<ul style="list-style-type: none">• Vérifier le choix de l'imprimante sur la page de configuration de la connectivité. Se référer au guide d'utilisation de l'échographe.• Vérifier les connexions des câbles. Voir les instructions d'assemblage de la station V-Universal.• S'assurer que l'imprimante est sous tension et correctement configurée. Si nécessaire, consulter le mode d'emploi de l'imprimante.
La station se renverse plus facilement que prévu.	<ul style="list-style-type: none">• Abaisser le vérin pour abaisser l'échographe et le plateau en option.• Éviter de placer ou de suspendre des objets lourds sur la station. Trop de poids peut entraîner l'instabilité de la station.

Nettoyage et désinfection

AVERTISSEMENT : Pour éviter tout risque d'électrocution, toujours débrancher l'échographe de la prise de courant et le retirer de la station.

AVERTISSEMENT : Pour éviter tout risque de blessure, porter en permanence des lunettes et des gants de protection lors des procédures de nettoyage et de désinfection.

AVERTISSEMENT : Pour éviter tout risque d'infection, vérifier que la date de péremption de la solution n'est pas dépassée.

AVERTISSEMENT : Pour éviter tout risque d'infection, noter que le niveau de désinfection d'un produit dépend du type de tissu avec lequel il entre en contact pendant son utilisation. Vérifier que la concentration de la solution et la durée du contact conviennent au matériel en question. Pour plus d'informations, se reporter aux indications figurant sur l'étiquette du produit désinfectant et aux recommandations de la FDA et de l'APIC (Association for Professionals in Infection Control and Epidemiology, Association de professionnels en matière d'épidémiologie et de lutte contre les infections).

Mise en garde : Utiliser uniquement les solutions de nettoyage ou de désinfection recommandées sur les surfaces du matériel. L'utilisation de désinfectants s'utilisant par immersion n'a pas été testée sur les surfaces.

Pour nettoyer et désinfecter la station

La surface externe de la station peut être nettoyée et désinfectée avec le produit de nettoyage ou le désinfectant recommandé. Pour la liste la plus récente des produits agréés, visiter le site www.sonosite.com.

- 1 Retirer l'échographe, débrancher l'alimentation secteur et tous les câbles.
- 2 Nettoyer les surfaces à l'aide d'un chiffon doux imbibé d'eau savonneuse ou d'un détergent doux.
Appliquer la solution sur le linge plutôt que sur la surface de la station.
- 3 Essuyer les surfaces avec la solution désinfectante.
- 4 Laisser sécher à l'air libre ou à l'aide d'un chiffon propre.

Pour plus d'informations sur le nettoyage des périphériques, se reporter aux instructions correspondantes.

Sécurité

Pour garantir une sécurité maximale, respecter les avertissements et mises en garde suivants avant d'utiliser les accessoires et périphériques avec l'échographe et les sondes.

Sécurité électrique

- AVERTISSEMENT :** Pour éviter tout risque d'électrocution, ne pas brancher le cordon d'alimentation de la station V-Universal dans une prise de courant portable (MPSO) et ne pas utiliser de rallonge électrique.
- AVERTISSEMENT :** Pour éviter tout risque d'électrocution, s'assurer que le matériel utilisé est correctement mis à la terre. Une mauvaise mise à la terre de l'alimentation électrique peut entraîner des risques d'électrocution. La fiabilité de la mise à la terre ne peut être assurée que si le matériel est branché sur une prise de courant conforme aux normes hospitalières. Ne pas retirer le fil de terre et ne pas annuler son effet.
- AVERTISSEMENT :** Pour éviter tout risque d'électrocution ou d'incendie, vérifier régulièrement le cordon d'alimentation, les fiches, les câbles et l'alimentation secteur.
- AVERTISSEMENT :** Pour éviter tout risque d'électrocution, utiliser exclusivement les accessoires et périphériques recommandés par SonoSite, y compris l'alimentation secteur. La connexion d'accessoires et de périphériques non recommandés par SonoSite implique un risque d'électrocution. Contacter SonoSite ou votre représentant local pour obtenir la liste des accessoires et des périphériques disponibles auprès de SonoSite ou recommandés par SonoSite.
- AVERTISSEMENT :** Pour éviter tout risque d'électrocution ou d'interférences électromagnétiques, vérifier le bon fonctionnement de l'ensemble du matériel et sa conformité aux normes de sécurité en vigueur avant de l'utiliser à des fins cliniques. La connexion d'un autre matériel à l'échographe revient à configurer un système médical. SonoSite recommande de vérifier que l'échographe, toute association de matériel et les accessoires connectés à l'échographe sont conformes aux exigences d'installation JACHO et/ou aux normes de sécurité telles que AAMI-ES1, NFPA 99, CEI 60601-1-1 et CEI 60601-1-2, et qu'ils sont certifiés conformes à la norme CEI 60950 (ATI, appareils de traitement de l'information).

Sécurité du matériel

- Mise en garde :** Une flexion ou une torsion excessive des câbles risque d'entraîner une défaillance ou un fonctionnement intermittent.
- Mise en garde :** Le recours à une méthode inadéquate de nettoyage ou de désinfection d'une partie des accessoires ou des périphériques peut les endommager définitivement. Pour prendre connaissance des instructions de nettoyage et de désinfection, voir « **Nettoyage et désinfection** », page 11 et le mode d'emploi du fabricant.
- Mise en garde :** Les parties métalliques accessibles sur les signaux d'entrée et de sortie à l'arrière et sur le côté de l'échographe ne sont pas reliées à la terre. Ne pas effectuer de test d'impédance de mise à la terre à haute intensité de courant sur ces parties métalliques.

Sécurité clinique

- AVERTISSEMENT :** Pour éviter toute erreur de diagnostic, ne pas utiliser d'écrans périphériques qui ne sont pas de catégorie hospitalière (commerciale). Ces écrans n'ont pas été vérifiés ou validés par SonoSite comme étant adaptés pour le diagnostic.

Compatibilité électromagnétique (CEM)

Pour plus d'informations sur la compatibilité électromagnétique avec CEI 60601-1-2, y compris la déclaration du fabricant, voir la section relative à la sécurité du guide d'utilisation de l'échographe et des guides complémentaires.

Spécifications

Pour plus d'informations sur les périphériques, se reporter aux spécifications du fabricant.

Dimensions de la station

Largeur : 51 cm

Longueur : 59 cm

Hauteur : 138,5 cm max., 108 cm min.

Écart de hauteur : 30,5 cm

Poids : 16,8 kg (version de base), 20,4 kg (version deluxe)

Limites de température et d'humidité

Fonctionnement : 10 à 40 °C, 15 à 95 % HR.

Transport/stockage : -35 à 65 °C, 15 à 95 % HR.

Périphériques

Qualité hospitalière

Imprimante noir et blanc

Pour commander du papier d'imprimante, contacter Sony au +1-800-686-7669 ou se rendre sur www.sony.com/professional pour commander le papier ou trouver un distributeur local.

Enregistreur de DVD (S Series uniquement. A compter de juillet 2012, l'enregistreur de DVD ne sera plus pris en charge avec la station V-Universal.)

Catégorie commerciale

Clavier USB (S Series uniquement)

SUPPORTO V-UNIVERSAL

Manuale dell'utente

CE

Produttore

FUJIFILM SonoSite, Inc.

21919 30th Drive SE

Bothell, WA 98021

USA

T: +1-888-482-9449 o +1-425-951-1200

F: +1-425-951-1201

Rappresentante autorizzato CE

FUJIFILM SonoSite, Ltd.

Alexander House

40A Wilbury Way

Hitchin

Herts SG4 OAP

Regno Unito

T: +44-1462-444800

F: +44-1462-444801

Attenzione:

Le leggi statunitensi consentono la vendita di questo dispositivo solo da parte o dietro prescrizione di un medico.

NanoMaxx, S Series, V-Universal, SonoSite e il logo SonoSite sono marchi registrati o marchi di fabbrica di FUJIFILM SonoSite, Inc. in diverse giurisdizioni.

Tutti gli altri marchi sono proprietà dei rispettivi proprietari.

P09557-02 1/2013

Copyright © 2013 by FUJIFILM SonoSite, Inc.

Tutti i diritti riservati.

Guida per l'utente del supporto V-Universal

Sommario

Introduzione	1
Caratteristiche del supporto	3
Indicazioni di base per l'uso del supporto	4
Collegamento del sistema per ecografia	5
Rimozione del sistema per ecografia	6
Utilizzo della stampante	7
Uso del collegamento del trasduttore triplo	7
Utilizzo del DVD recorder	9
Risoluzione dei problemi	10
Pulizia e disinfezione	11
Sicurezza	12
Caratteristiche tecniche	13

Introduzione

Il *Manuale dell'utente del supporto V-Universal* fornisce informazioni sul supporto V-Universal e sulle periferiche. Per informazioni su una periferica, consultare le istruzioni incluse nella confezione del prodotto. Per informazioni sui trasduttori, sul sistema per ecografia NanoMaxx o S Series consultare il Manuale dell'utente del sistema per ecografia.

Se è necessario smontare il supporto, fare riferimento alle istruzioni di assemblaggio del supporto V-Universal in dotazione con il supporto e reperibili al sito www.sonosite.com.

- AVVERTENZA:** Per evitare il rischio di lesioni al paziente, errate diagnosi o lesioni all'operatore, leggere tutte le avvertenze contenute nel Manuale dell'utente del sistema per ecografia e i relativi supplementi.
- AVVERTENZA:** Per evitare lesioni o danni alle apparecchiature che potrebbero derivare dal ribaltamento del supporto, non applicare forza eccessiva sul supporto stesso. Il posizionamento della piattaforma del supporto ad un livello basso può contribuire a ridurre questo potenziale pericolo.
- AVVERTENZA:** Per evitare possibili lesioni o danni alle apparecchiature, posizionare il sistema all'altezza più bassa possibile sul banco prima del trasporto del sistema.

Convenzioni

Nel manuale dell'utente vengono utilizzate le seguenti convenzioni:

- Le note di **AVVERTENZA** descrivono le precauzioni necessarie per evitare lesioni o la perdita di vite umane.
- Le note di **Attenzione** descrivono le precauzioni necessarie per evitare danni ai prodotti.
- Le operazioni numerate di ogni procedura vanno eseguite seguendo l'ordine.
- Quanto esposto in elenchi puntati non implica una sequenza specifica.
- Le procedure che includono un'unica operazione cominciano con ❖.

I simboli e i termini utilizzati nel sistema sono illustrati nel Manuale dell'utente del sistema per ecografia.

Assistenza tecnica e commenti dei clienti

Domande e commenti sono accolti con interesse. SonoSite è interessata a conoscere i pareri dei clienti riguardo al sistema e al Manuale dell'utente. Chiamare SonoSite al +1-888-482-9449 negli USA. Fuori degli USA, contattare il più vicino rappresentante SonoSite.

Per assistenza tecnica, contattare SonoSite come segue:

Assistenza tecnica SonoSite

Tel. (USA o Canada):	+1-877-657-8118
Telefono (altri Paesi):	+1-425-951-1330 Oppure rivolgersi al rappresentante locale.
Fax:	+1-425-951-6700
E-mail:	service@sonosite.com
Sito web:	www.sonosite.com

Centro di assistenza per l'Europa

Telefono:	+44-(0)1462-444-800
E-mail:	uk.service@sonosite.com

Caratteristiche del supporto

Il supporto fornisce una piattaforma di lavoro mobile e un vano per conservare i trasduttori e altri componenti. Fornisce anche collegamenti per accessori e periferiche.

AVVERTENZA: Per evitare il rischio di scosse elettriche o lesioni, quando gli utenti statunitensi collegano l'apparecchiatura a una rete di alimentazione monofase con presa centrale, è necessario collegarla a un circuito di alimentazione monofase a presa centrale.

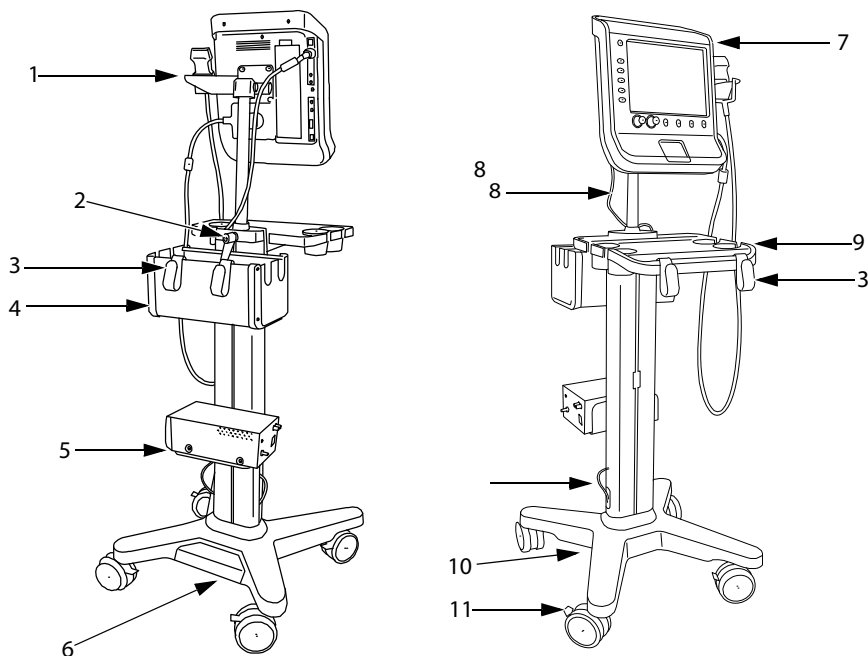


Figura 1 Supporto V-Universal Viste posteriore e anteriore (illustrate con sistema per ecografia SSeries e stampante, cestello e vassoio opzionali)

1	Portatrasduttori
2	Leva per la regolazione dell'altezza
3	Ganci per i cavi e per altri articoli (inclusi con vassoio e cestello)
4	Cestello (opzionale)
5	Mensola per stampante in bianco e nero (opzionale)
6	Adattatore CA 1: connettore per il cavo di alimentazione del sistema

7	Sistema per ecografia
8	Cavo di alimentazione CC
9	Vassoio (opzionale)
10	Adattatore CA 2: connettore per cavo di alimentazione CA (sotto la base del supporto)
11	Leva di bloccaggio sulla rotella

Indicazioni di base per l'uso del supporto

Per alzare o abbassare il sistema per ecografia

- 1 Accertarsi che l'area al di sopra della colonna non sia ostruita.
- 2 Ruotare la leva di regolazione dell'altezza in senso antiorario.
L'asta inserita nella colonna potrebbe alzarsi automaticamente.
- 3 Sollevare o abbassare l'asta fino all'altezza desiderata e serrare la leva.
Per stringere la leva, ruotarla in senso orario.
Se si abbassa l'asta, evitare di afferrarne la base. La pelle potrebbe essere rimanere pizzicata nell'intercapedine.
- 4 Se si desidera riposizionare la leva (per esempio, parallela all'asta), estrarre la leva, ruotarla fino alla posizione desiderata e rilasciarla.

Per bloccare o sbloccare una rotella

- ❖ Spingere la leva di blocco sulla rotella:
 - Spingere in basso per bloccare.
 - Spingere in alto per sbloccare.

Per regolare l'angolazione del sistema

- 1 Bloccare due o più rotelle.
- 2 Con entrambe le mani, ruotare il sistema in alto e in basso o da un lato all'altro.

Collegamento del sistema per ecografia

Il portatrasduttore va collegato al sistema prima che di collegare il sistema alla piastra di montaggio del supporto.

Per collegare il portatrasduttore

- 1 Collocare il portatrasduttore sul lato posteriore del sistema, con la vaschetta rivolta verso il lato anteriore.

Per NanoMaxx, l'estremità piccola della vaschetta è rivolta verso l'alto.

- 2 Utilizzando un cacciavite Phillips, serrare le quattro viti. Vedere **Figura 2**.

Per NanoMaxx, i fori per le viti sono contrapposti.

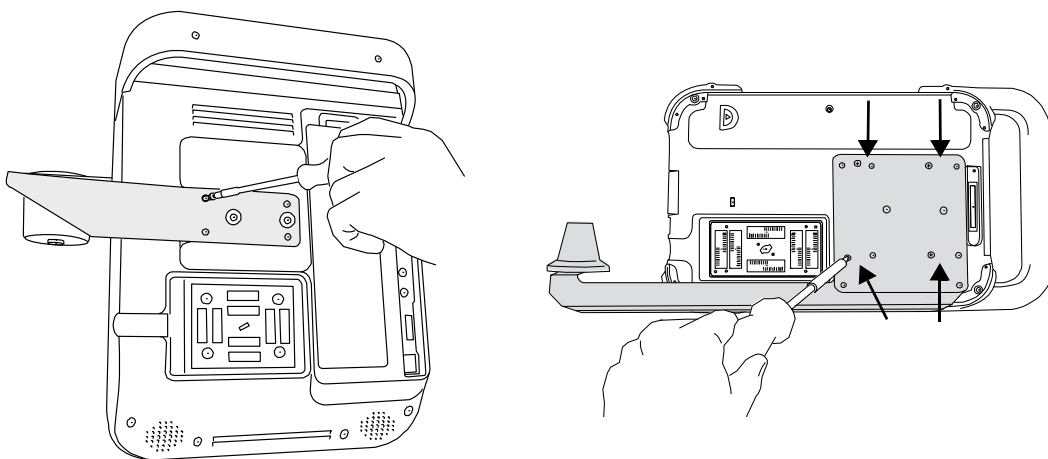


Figura 2 Avvitare le viti sul portatrasduttore: S Series (sulla sinistra) e NanoMaxx (sulla destra)

Collegamento del sistema per ecografia

- 1 (Solo NanoMaxx) Collegare la stazione NanoMaxx o l'adattatore della sola alimentazione al sistema.
- 2 Collegare il portatrasduttore al sistema.
- 3 Collocare il lato posteriore del sistema sulla piastra di montaggio.

I due perni sulla piastra di montaggio passano attraverso il portatrasduttore e, nel sistema S Series, nei due fori grandi del sistema.

- 4 Avvitare le viti nei quattro angoli fino a fissare il sistema alla piastra. Stringere con un cacciavite Phillips. Vedere **Figura 3**.

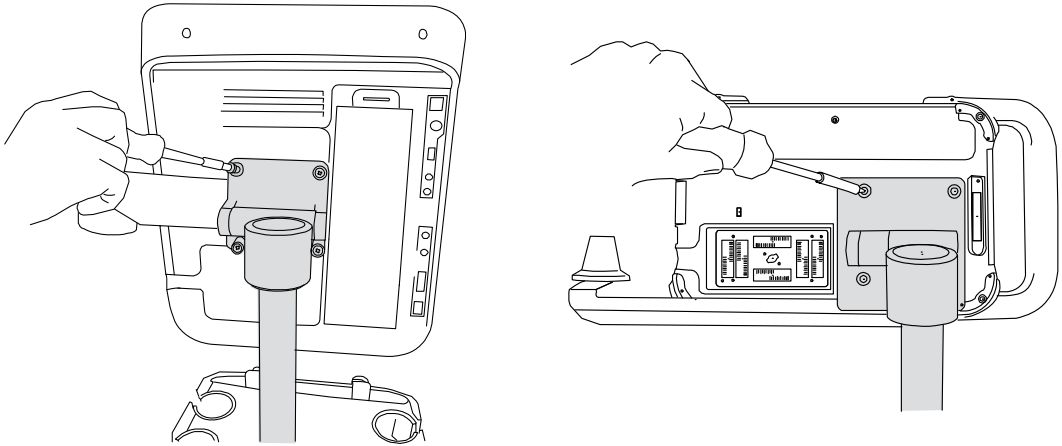


Figura 3 Avvitare le viti sulla piastra di montaggio: S Series (sulla sinistra) e NanoMaxx (sulla destra)

Per collegare l'alimentazione CA

- ❖ Collegare i cavi riportati di seguito. Vedere **Figura 1** a pagina 3.
 - Cavo di alimentazione CC
 - Cavo di alimentazione CA del sistema

Rimozione del sistema per ecografia

Rimozione del sistema per ecografia

- 1 Sostenere il sistema per ecografia e allentare le viti nei quattro angoli della piastra di montaggio. Se necessario, utilizzare un cacciavite Phillips. Vedere **Figura 3**.

In questo modo si impedisce al sistema di cadere quando viene sganciato.

- 2 Sollevare il sistema dal supporto.

Il sistema si estrae dai due perni della piastra di montaggio.

Per rimuovere il portatrasduttore

- ❖ Utilizzando un cacciavite Phillips, allentare le quattro viti sul lato posteriore del portatrasduttori. Vedere **Figura 2**.

Utilizzo della stampante

AVVERTENZA: Per evitare il rischio di scosse elettriche o lesioni, non collegare più di una periferica allo stesso tempo.

Attenzione: Per evitare di danneggiare il sistema, utilizzare solo periferiche raccomandate da SonoSite con il sistema per ecografia.

Stampante

I sistemi ecografici NanoMaxx e S Series supportano la stampante.

Per informazioni specifiche sull'utilizzo di una stampante, incluse le note di avvertenza e attenzione, fare riferimento alle istruzioni operative del produttore.

Per configurare il sistema per la stampante, vedere il manuale per l'utente del sistema ecografico. Configurare il sistema nella pagina Connettività.

Per collegare la stampante, vedere le istruzioni di montaggio del supporto V-Universal.

Per stampare la schermata

Nota: Prima di sottoporre il paziente all'esame, provare la stampante per verificare che tutti i collegamenti siano stati eseguiti correttamente.

❖ Usare i comandi sulla stampante per stampare le immagini. Seguire le istruzioni fornite dal produttore.

È anche possibile salvare le immagini e stamparle dall'elenco pazienti. Per istruzioni, consultare il manuale dell'utente del sistema per ecografia.

Uso del collegamento del trasduttore triplo

Il sistema ecografico S Series supporta il collegamento triplo per trasduttori (TTC). Il TTC è un modulo opzionale che consente di collegare fino a tre trasduttori contemporaneamente quando il sistema per ecografia è alloggiato.

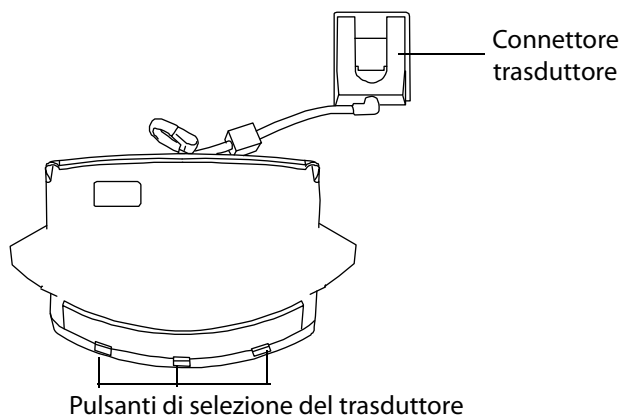


Figura 4 Modulo di connessione triplo per trasduttori

Per collegare un trasduttore al TTC:

- 1 Tirare in alto il dispositivo di chiusura del trasduttore e ruotarlo di 90°.
- 2 Allineare e inserire il connettore del trasduttore al connettore sulla parte inferiore del TTC.
- 3 Girare il dispositivo di chiusura e premere verso il basso, fissando il connettore del trasduttore al TTC.

Selezione del trasduttore

Nota: Quando si usa il TTC potrebbe risultare una minore riduzione di penetrazione del trasduttore.

- ❖ Con il sistema acceso, premere il pulsante di selezione del trasduttore sul TTC.

Quando si seleziona un altro trasduttore, la luce sul pulsante lampeggia per alcuni istanti e poi diventa verde fissa.

Il trasduttore viene visualizzato nella sezione di stato del sistema della schermata e il sistema seleziona il tipo di esame predefinito per il trasduttore selezionato.

È possibile accedere a un solo trasduttore per volta.

Rimozione del TTC per l'assistenza

- 1 Rimuovere eventuali trasduttori collegati.
- 2 Scollegare il connettore del trasduttore dal sistema.
- 3 Fare leva per aprire i coperchi a scatto sul coperchio del TTC con un cacciavite a testa piatta.
- 4 Tenere la parte inferiore del TTC per sostenerla e con la chiave di Allen da 5/32" (più grande) rimuovere le quattro viti sotto il coperchio a scatto.

Utilizzo del DVD recorder

AVVERTENZA: Per evitare il rischio di scosse elettriche o lesioni, non collegare più di una periferica allo stesso tempo.

Attenzione: Per evitare di danneggiare il sistema, utilizzare solo periferiche raccomandate da SonoSite con il sistema per ecografia.

Nota: A partire da luglio 2012, il masterizzatore DVD non è supportato con il supporto V-Universal.

Il sistema per ecografia S Series supporta il DVD recorder.

Per informazioni specifiche sull'utilizzo di un DVD recorder, incluse le note di avvertenza e attenzione, fare riferimento alle istruzioni operative del produttore.

Per configurare il sistema per il DVD recorder, vedere il manuale per l'utente del sistema ecografico. Configurare il sistema nella pagina Connettività.

Per collegare il DVD recorder, vedere le istruzioni di montaggio del supporto V-Universal.

Per registrare le immagini

Nota: Prima di sottoporre il paziente all'esame, provare il DVD recorder per verificare che tutti i collegamenti siano stati eseguiti correttamente.

- 1 Accendere il DVD recorder.
- 2 Inserire un DVD scrivibile.
- 3 Utilizzare i comandi sul DVD recorder per avviare e arrestare la registrazione.

Ogni volta che si registra, viene memorizzato un nuovo file sul DVD.

Per riprodurre le immagini

- 1 Sul sistema per ecografia, tenere premuto il tasto del tastierino e premere il tasto di controllo in basso a destra.
- 2 Premere PLAY sul DVD recorder.

Per ulteriori informazioni, vedere le istruzioni del produttore.

Diagnostica del DVD recorder

Problema	Soluzione
Il DVD recorder non registra.	<ul style="list-style-type: none">• Controllare l'impostazione della porta seriale nella pagina di impostazione Connettività. Consultare il manuale dell'utente del sistema per ecografia.• Controllare i collegamenti dei cavi sul supporto e sul DVD recorder. Vedere le istruzioni di montaggio del supporto V-Universal.• Verificare che il DVD recorder sia acceso e impostato correttamente. Se necessario, consultare la documentazione del DVD recorder.
Il DVD recorder non riproduce.	<ul style="list-style-type: none">• Controllare i collegamenti dei cavi sul supporto e sul DVD recorder. Vedere le istruzioni di montaggio del supporto V-Universal.• Accertarsi che il display sia impostato su S-Video. Seguire le istruzioni fornite dal produttore.

Risoluzione dei problemi

Problema	Soluzione
La stampante non funziona.	<ul style="list-style-type: none">• Controllare la selezione della stampante nella pagina di impostazione della Connettività. Consultare il manuale dell'utente del sistema per ecografia.• Controllare i collegamenti dei cavi. Vedere le istruzioni di montaggio del supporto V-Universal.• Accertarsi che la stampante sia accesa e impostata correttamente. Se necessario, consultare la relativa documentazione.
Il supporto si ribalta più facilmente del previsto.	<ul style="list-style-type: none">• Abbassare l'asta per abbassare il sistema per ecografia e il vassoio opzionale.• Evitare di collocare o appendere oggetti pesanti sul supporto. Un peso eccessivo può causare una minore stabilità del supporto.

Pulizia e disinfezione

- AVVERTENZA:** Per evitare scosse elettriche, prima di pulire il sistema scollegarlo sempre dall'alimentazione e rimuoverlo dal supporto.
- AVVERTENZA:** Durante le operazioni di pulizia e disinfezione, indossare sempre occhiali di protezione e guanti per evitare lesioni.
- AVVERTENZA:** Per evitare infezioni, assicurarsi la data di scadenza del disinfettante non sia stata superata.
- AVVERTENZA:** Per evitare infezioni, il grado di disinfezione necessario per un prodotto dipende dal tipo di tessuto con cui viene a contatto durante la procedura. Verificare in particolare che la formula della soluzione e la durata del contatto siano adatte per l'apparecchiatura. Per ulteriori informazioni, fare riferimento alle istruzioni che si trovano sull'etichetta del disinfettante e alle direttive della Association for Professionals in Infection Control and Epidemiology (APIC) e della FDA.
- Attenzione:** Usare solo i prodotti di pulizia e disinfezione consigliati per le superfici. I disinfettanti a immersione non sono stati testati per l'uso sulle superfici.

Per pulire e disinfettare il supporto

La superficie esterna del supporto deve essere pulita e disinfettata con uno dei detergenti o disinfettanti consigliati. Per l'elenco più recente dei prodotti omologati, vedere www.sonosite.com.

- 1 Rimuovere il sistema, scollegare l'alimentazione e staccare i cavi.
- 2 Pulire le superfici utilizzando un panno morbido leggermente inumidito con sapone o soluzione detergente delicata.
Applicare la soluzione sul panno, non sulla superficie del supporto.
- 3 Strofinare le superfici con la soluzione disinfettante.
- 4 Asciugare all'aria o con un panno pulito.

Per informazioni sulla pulizia delle periferiche, fare riferimento alle istruzioni fornite dal produttore.

Sicurezza

Per garantire la massima sicurezza, osservare le seguenti note di avvertenza e attenzione prima di utilizzare gli accessori e le periferiche con il sistema per ecografia e i trasduttori.

Sicurezza elettrica

AVVERTENZA: Per evitare il rischio di scosse elettriche, non collegare il cavo di alimentazione del supporto V-Universal a una presa multipla mobile o a un cavo di prolunga.

AVVERTENZA: Per evitare scosse elettriche, utilizzare solo apparecchi correttamente collegati a terra. Se l'alimentatore non è correttamente collegato a terra, esiste il rischio di scosse elettriche. L'affidabilità della messa a terra è garantita dal collegamento dell'apparecchio a prese di corrente per uso ospedaliero o equivalente. Il cavo di terra non deve essere rimosso o escluso.

AVVERTENZA: Per evitare il rischio di scosse elettriche e incendi, ispezionare regolarmente l'alimentazione elettrica, le spine, i cavi e i cavi di alimentazione.

AVVERTENZA: Per evitare il rischio di scosse elettriche, usare solo accessori e periferiche di tipo commerciale consigliate dalla SonoSite incluso l'alimentatore. Il collegamento di accessori e periferiche non espressamente consigliate dalla SonoSite potrebbe causare scosse elettriche. Per un elenco di accessori e periferiche forniti o consigliati da SonoSite, rivolgersi a SonoSite o al rappresentante più vicino.

AVVERTENZA: Per evitare possibili scosse elettriche o interferenze elettromagnetiche, verificare il corretto funzionamento e la conformità alle norme di sicurezza pertinenti per tutte le apparecchiature prima dell'uso clinico. Il collegamento di altri strumenti al sistema per ecografia costituisce un intervento di configurazione di un sistema medico. SonoSite consiglia di verificare che il sistema, tutte le combinazioni di apparecchi e gli accessori collegati al sistema per ecografie siano conformi ai requisiti di installazione JACHO e/o alle norme di sicurezza AAMI-ES1, NFPA 99, IEC 60601-1-1 e IEC 60601-1-2 e che siano certificati in osservanza della norma IEC 60950 (Apparecchiature per la tecnologia dell'informazione (ITE)).

Sicurezza dei dispositivi

Attenzione: Se piegati eccessivamente o attorcigliati, i cavi possono provocare errori o discontinuità nel funzionamento del sistema.

Attenzione: La pulizia e la disinfezione non appropriate dei componenti di accessori e periferiche possono causare danni permanenti. Per le istruzioni relative alla pulizia e disinfezione, vedere **“Pulizia e disinfezione”** a pagina 11 e le istruzioni operative del produttore.

Attenzione: Le parti metalliche degli ingressi e delle uscite di segnale sul retro e sul lato del sistema per ecografia non sono dotate di collegamento a terra di protezione. Non condurre test di impedenza di terra a corrente elevata per queste parti.

Sicurezza clinica

AVVERTENZA: Per evitare diagnosi errate, non utilizzare monitor per periferiche non di tipo medicale (commerciali). Questi monitor non sono stati verificati né convalidati da SonoSite come idonei alla diagnosi.

Compatibilità elettromagnetica (EMC)

Per informazioni sulla compatibilità elettromagnetica con lo standard IEC 60601-1-2, inclusa la dichiarazione del produttore, vedere la sezione relativa alla sicurezza del Manuale dell'utente del sistema per ecografia.

Caratteristiche tecniche

Per informazioni sulle periferiche, fare riferimento alle specifiche tecniche fornite dal produttore.

Dimensioni del supporto

Larghezza: 51 cm

Lunghezza: 59 cm

Altezza: 138,5 cm max., 108 cm min.

Intervallo altezza: 30,5 cm

Peso: 16,8 kg base, 20,4 kg deluxe

Limiti di temperatura e umidità

Temperatura di funzionamento: da 10 a 40°C, con umidità relativa del 15 – 95%

Spedizione/conservazione: da -35 a 65°C, con umidità relativa del 15 – 95%

Periferiche

Periferiche di grado medicale

Stampante in bianco e nero

Per la carta della stampante, contattare Sony al numero +1-800-686-7669 o www.sony.com/professional per ordinare la carta o per informazioni sul distributore locale.

DVD recorder (solo S Series A partire da luglio 2012, il masterizzatore DVD non è supportato con il supporto V-Universal).

Di tipo commerciale

Tastiera USB (solo S Series)

PEDESTAL V-UNIVERSAL

Manual do Usuário

CE

Fabricante

FUJIFILM SonoSite, Inc.

21919 30th Drive SE

Bothell, WA 98021

EUA

Tel.: +1-888-482-9449 ou +1-425-951-1200

Fax: +1-425-951-1201

Representante autorizado da Comunidade Europeia

FUJIFILM SonoSite, Ltd.

Alexander House

40A Wilbury Way

Hitchin

Herts SG4 OAP

Reino Unido

Tel.: +44-1462-444800

Fax: +44-1462-444801

Cuidado:

A legislação federal dos Estados Unidos restringe a venda deste aparelho por médicos ou sob sua prescrição.

NanoMaxx, S Series, V-Universal, SonoSite e o logotipo SonoSite são marcas comerciais ou marcas registradas da FUJIFILM SonoSite, Inc. em diversas jurisdições.

Todas as outras marcas comerciais são de propriedade de seus respectivos proprietários.

P09557-02 1/2013

Direitos autorais © 2013, FUJIFILM SonoSite, Inc.

Todos os direitos reservados.

Manual do Usuário do Pedestal V-Universal

Índice

Introdução	1
Características do pedestal	3
Informações básicas sobre o pedestal	4
Fixação do sistema de ultrassom	5
Remoção do sistema de ultrassom	6
Utilização da impressora	7
Utilização do Triple Transducer Connect	7
Utilização do gravador de DVD	9
Solução de problemas	10
Limpeza e desinfecção	11
Segurança	12
Especificações	13

Introdução

O *Manual do Usuário do Pedestal V-Universal* explica como usar o Pedestal V-Universal e seus periféricos. Para obter informações sobre os periféricos, consulte as instruções do fabricante que acompanham cada produto. Para obter informações sobre os transdutores, o sistema de ultrassom NanoMaxx ou o sistema de ultrassom S Series, consulte o manual do usuário do sistema de ultrassom.

Se for necessário desmontar o pedestal, consulte as instruções de montagem do V-Universal, disponibilizadas com o pedestal e em www.sonosite.com.

- AVISO:** Para evitar o risco de ferimentos ao paciente, diagnósticos incorretos ou ferimentos ao usuário, leia todos os avisos constantes no manual do usuário e nos manuais adicionais do sistema de ultrassom.
- AVISO:** Para evitar ferimentos ou danos ao equipamento que possam resultar da queda do pedestal, não aplique força excessiva nele. O posicionamento da plataforma do pedestal em um nível baixo pode ajudar a reduzir esse perigo potencial.
- AVISO:** Para evitar possíveis lesões ou danos ao equipamento, posicione o sistema na altura mais baixa possível sobre o pedestal antes de transportar o sistema.

Convenções

O manual do usuário segue estas convenções:

- **AVISO** descreve as precauções necessárias para evitar ferimentos ou morte.
- **Cuidado** descreve as precauções necessárias à proteção dos produtos.
- As etapas numeradas dos procedimentos devem ser executadas na ordem.
- Os itens em listas com marcadores não necessitam de uma sequência.
- Os procedimentos de etapa única começam com ❖.

Os símbolos e termos usados no sistema são explicados no manual do usuário do sistema de ultrassom.

Assistência ao cliente e comentários

Suas dúvidas e comentários são importantes. A SonoSite está interessada em seus comentários sobre o sistema e o manual do usuário. Entre em contato com a SonoSite pelo telefone +1-888-9449 nos EUA. Fora dos EUA, contate o representante SonoSite mais próximo.

Para assistência técnica, entre em contato com a SonoSite das seguintes formas:

Assistência técnica SonoSite

Telefone (EUA ou Canadá): +1-877-657-8118

Telefone (fora dos EUA e do Canadá): +1-425-951-1330
ou ligue para o seu representante local.

Fax: +1-425-951-6700

E-mail: service@sonosite.com

Site: www.sonosite.com

Centro de manutenção da Europa

Telefone: +44-(0)1462-444-800

E-mail: uk.service@sonosite.com

Características do pedestal

O pedestal oferece uma plataforma de trabalho móvel e uma área de armazenamento para os transdutores e outros suprimentos. Oferece também conexões para acessórios e periféricos.

AVISO: Para evitar riscos de choque elétrico ou ferimentos, o equipamento deverá ser conectado a um circuito de alimentação monofásico com derivação central quando usuários localizados nos Estados Unidos conectarem o equipamento a uma fonte de alimentação de 240 V.

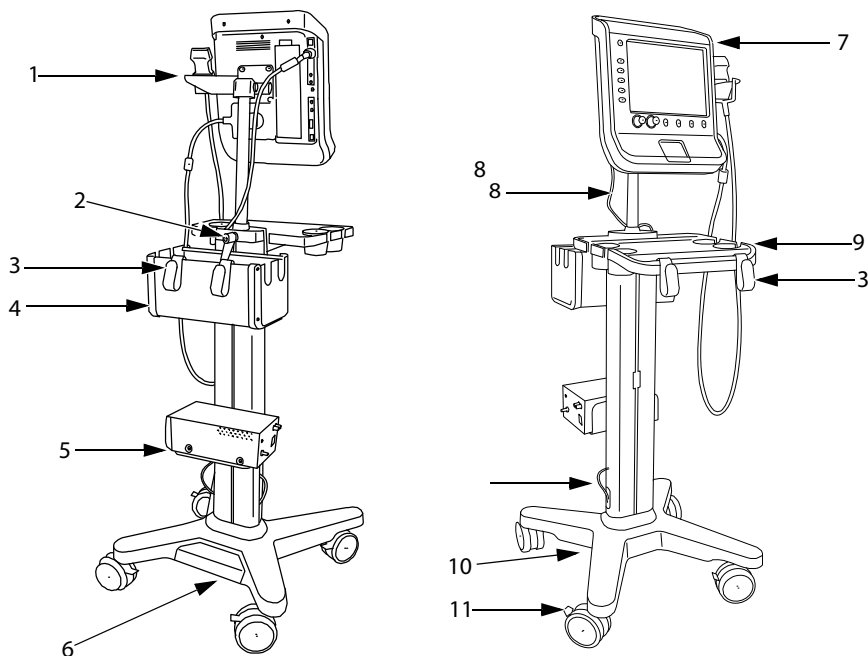


Figura 1 Pedestal V-Universal: vistas frontal e posterior (mostrado com o sistema de ultrassom S Series e com impressora, cesto e bandeja opcionais)

1	Suporte do transdutor
2	Alavanca de ajuste de altura
3	Ganchos para cabos e outros itens (incluídos na bandeja e no cesto)
4	Cesto (opcional)
5	Prateleira para impressora preto-e-branco (opcional)
6	Adaptador de CA 1: Conector para o cabo de alimentação do sistema

7	Sistema de ultrassom
8	Cabo de alimentação CC
9	Bandeja (opcional)
10	Adaptador de CA 2: Conector para o cabo de alimentação CA (embaixo da base do pedestal)
11	Alavanca de travamento na roda

Informações básicas sobre o pedestal

Para levantar ou abaixar o sistema de ultrassom

- 1 Certifique-se de que a área acima da coluna esteja livre.
- 2 Gire a alavanca de ajuste de altura no sentido anti-horário.
O poste pode se elevar automaticamente na coluna.
- 3 Erga ou abaixe o poste até a altura desejada, depois aperte a alavanca.
Para apertar a alavanca, vire-a no sentido horário.
Caso abaixe o poste, evite segurar sua base. A pele pode ficar presa e imprensada na folga.
- 4 Para reposicionar a alavanca (por exemplo, colocando-a paralela ao poste), puxe-a, gire-a até a posição desejada e depois solte.

Para travar ou destravar as rodas

- ❖ Pressione a alavanca de travamento na roda:
 - Pressione para baixo para travar.
 - Puxe para cima para destravar.

Para ajustar o ângulo do sistema

- 1 Trave duas ou mais rodas.
- 2 Usando ambas as mãos, gire o sistema para cima e para baixo, ou para os lados.

Fixação do sistema de ultrassom

O suporte do transdutor é fixado ao sistema antes de o sistema ser preso à placa de montagem do pedestal.

Para instalar o suporte do transdutor

- 1 Coloque o suporte do transdutor na parte de trás do sistema, com o copo voltado para frente.
No NanoMaxx, a pequena extremidade do copo aponta para cima.
- 2 Use uma chave Phillips para apertar os quatro parafusos. Consulte a [Figura 2](#).
No NanoMaxx, os furos para os parafusos estão deslocados.

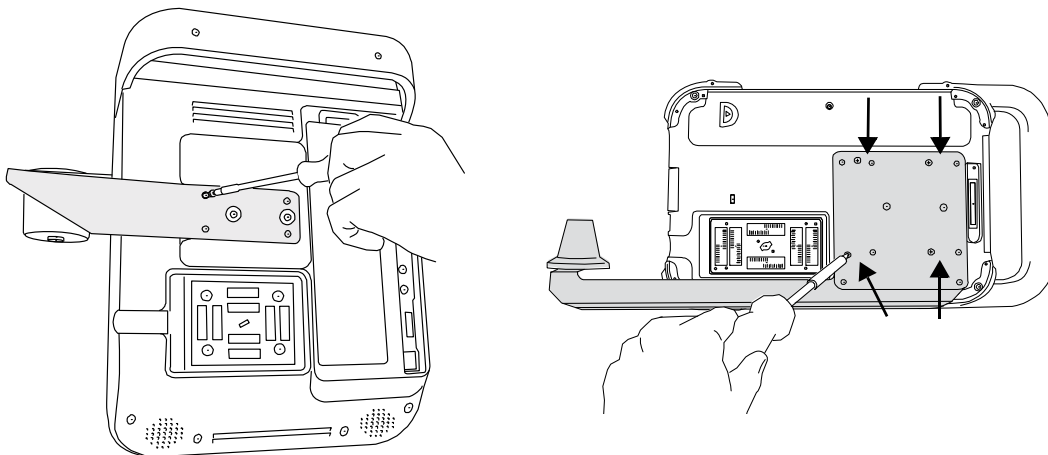


Figura 2 Aperte os parafusos no suporte do transdutor: S Series (na esquerda) e NanoMaxx (na direita)

Para fixar o sistema de ultrassom

- 1 (Somente no NanoMaxx) Conecte o pedestal do NanoMaxx ou adaptador que se alimenta somente de energia ao sistema.
- 2 Prenda o suporte do transdutor no sistema.
- 3 Coloque a parte de trás do sistema na placa de montagem.

As duas cavilhas da placa de montagem passam pelo suporte do transdutor e, no sistema S Series, pelos dois grandes furos no sistema.

- 4 Aperte o parafuso de cada um dos quatro cantos do sistema até ele ficar firme. Aperte com uma chave Phillips. Consulte a [Figura 3](#).

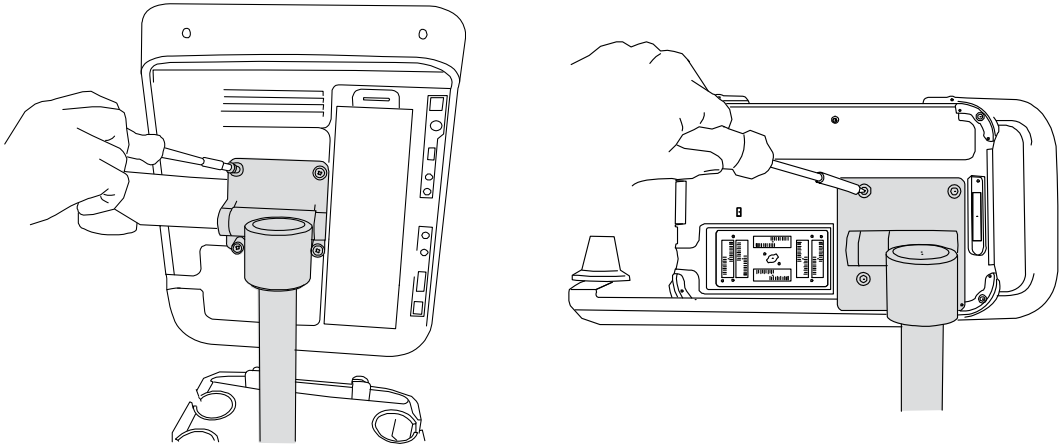


Figura 3 Aperte os parafusos na placa de montagem: S Series (na esquerda) e NanoMaxx (na direita)

Para conectar a alimentação CA

- ❖ Conecte os seguintes cabos. Consulte a [Figura 1](#) na página 3.
 - Cabo de alimentação CC
 - Cabo de alimentação CA do sistema

Remoção do sistema de ultrassom

Para remover o sistema de ultrassom

- 1 Apoie o sistema de ultrassom, depois afrouxe o parafuso de cada um dos quatro cantos da placa de montagem. Se necessário, use uma chave Phillips. Consulte a [Figura 3](#).

Apoiar o sistema garante que ele não caia quando for solto.

- 2 Levante o sistema do pedestal.

O sistema levanta as duas cavilhas da placa de montagem.

Para remover o suporte do transdutor

- ❖ Use uma chave Phillips para afrouxar os quatro parafusos na parte de trás do suporte do transdutor. Consulte a [Figura 2](#).

Utilização da impressora

- AVISO:** Para evitar risco de choques elétricos ou ferimentos, não conecte mais de um periférico ao mesmo tempo.
- Cuidado:** Para evitar danos ao sistema, use somente os periféricos recomendados pela SonoSite com o sistema de ultrassom.

Impressora

Os sistemas de ultrassom NanoMaxx e S Series são compatíveis com a impressora.

Para obter informações específicas sobre o uso da impressora, incluindo avisos e cuidados, consulte as instruções de operação do fabricante.

Para configurar o sistema para a impressora, consulte o Manual do Usuário do sistema de ultrassom. Configure o sistema na página de configuração Conectividade.

Para conectar a impressora, consulte as instruções de montagem do Pedestal V-Universal.

Para imprimir a tela

Nota: Teste a impressora antes de iniciar o exame de um paciente para verificar se todas as conexões estão corretas.

❖ Use os controles da impressora para imprimir imagens. Siga as instruções do fabricante.

Você pode também salvar imagens e imprimi-las a partir da lista de pacientes. Para obter instruções, consulte o manual do usuário do sistema de ultrassom.

Utilização do Triple Transducer Connect

O sistema de ultrassom S Series é compatível com o Triple Transducer Connect (TTC). O TTC é um módulo opcional de três transdutores que permite a conexão de até três transdutores simultaneamente enquanto o sistema de ultrassom estiver acoplado.

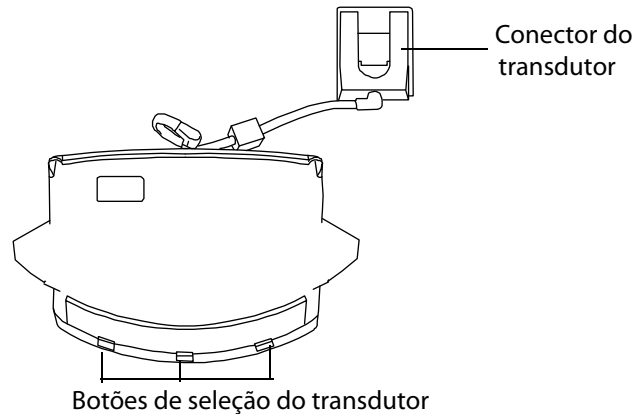


Figura 4 Triple Transducer Connect

Para conectar um transdutor ao TTC

- 1 Puxe o trinco do transdutor para cima e gire-o 90°.
- 2 Alinhe e insira o conector do transdutor no conector na parte inferior do TTC.
- 3 Gire a trava e pressione para baixo, prendendo o conector do transdutor ao TTC.

Para selecionar um transdutor

Nota: Quando se utiliza o TTC, é possível que haja uma pequena redução na penetração do transdutor.

- ❖ Com o sistema ligado, pressione o botão de seleção de transdutor no TTC para selecionar o transdutor desejado.

Ao selecionar outro transdutor, a luz do botão piscará por um instante e ficará verde.

O transdutor é exibido na seção de status do sistema na tela, e o sistema seleciona o tipo de exame padrão para o transdutor selecionado.

Somente é possível acessar um transdutor de cada vez.

Para remover o TTC

- 1 Remova todos os transdutores conectados.
- 2 Desconecte o conector do transdutor do sistema.
- 3 Abra os encaixes da tampa do TTC com uma chave de fenda.
- 4 Segure a parte inferior do TTC para apoiá-lo e use a chave Allen de 5/32" (maior) para retirar os quatro parafusos abaixo dos encaixes.

Utilização do gravador de DVD

- AVISO:** Para evitar risco de choques elétricos ou ferimentos, não conecte mais de um periférico ao mesmo tempo.
- Cuidado:** Para evitar danos ao sistema, use somente os periféricos recomendados pela SonoSite com o sistema de ultrassom.

Nota: o Pedestal V-Universal não oferece suporte para gravador de DVD desde julho de 2012.

O sistema de ultrassom S Series é compatível com o gravador de DVD.

Para obter informações específicas sobre o uso do gravador de DVD, incluindo avisos e cuidados, consulte as instruções de operação do fabricante.

Para configurar o gravador de DVD, consulte o Manual do Usuário do sistema de ultrassom. Configure o sistema na página de configuração Conectividade.

Para conectar o gravador de DVD, consulte as instruções de montagem do Pedestal V-Universal.

Para gravar imagens

Nota: teste o gravador antes de iniciar o exame de um paciente para verificar se todas as conexões estão corretas.

- 1 Ligue o gravador de DVD.
- 2 Insira um DVD gravável.
- 3 Use os controles do DVD para iniciar e parar a gravação.

Cada vez que você faz uma gravação, um novo arquivo é salvo no DVD.

Para reproduzir imagens

- 1 No sistema de ultrassom, mantenha pressionado o teclado sensível ao toque e aperte a tecla Control embaixo à direita.
- 2 Pressione PLAY (Reproduzir) no gravador de DVD.

Para obter mais informações, consulte as instruções do fabricante.

Solução de problemas do gravador de DVD

Sintoma	Solução
O gravador de DVD não está gravando	<ul style="list-style-type: none">• Verifique a configuração da porta serial na página de configuração Conectividade. Consulte o manual do usuário do sistema de ultrassom.• Verifique as conexões dos cabos no pedestal e no gravador de DVD. Consulte as instruções de montagem do Pedestal V-Universal.• Verifique se o gravador de DVD está ligado e configurado corretamente. Consulte as instruções do fabricante do gravador de DVD, se necessário.
O gravador de DVD não está reproduzindo	<ul style="list-style-type: none">• Observe a conexão dos cabos no suporte e no gravador de DVD. Consulte as instruções de montagem do Pedestal V-Universal.• Certifique-se de que a configuração do monitor esteja ajustada para S-vídeo. Siga as instruções do fabricante.

Solução de problemas

Sintoma	Solução
A impressora não imprime	<ul style="list-style-type: none">• Verifique a seleção da impressora na página de configuração Conectividade. Consulte o manual do usuário do sistema de ultrassom.• Verifique as conexões do cabo. Consulte as instruções de montagem do Pedestal V-Universal.• Certifique-se de que a impressora esteja ligada e configurada corretamente. Consulte as instruções do fabricante da impressora, se necessário.
O pedestal cai mais facilmente do que o esperado	<ul style="list-style-type: none">• Abaixe o poste para abaixar o sistema de ultrassom e a bandeja opcional.• Evite pendurar ou colocar objetos pesados sobre a plataforma. Peso excessivo sobre a plataforma pode tornar o pedestal menos estável.

Limpeza e desinfecção

- AVISO:** Para evitar choque elétrico, antes de limpar, desconecte o sistema da fonte de alimentação ou retire-o do pedestal.
- AVISO:** Para evitar ferimentos, sempre use óculos e luvas de proteção ao executar os procedimentos de limpeza e desinfecção.
- AVISO:** Para evitar infecções, certifique-se de que a solução ainda esteja em seu prazo de validade.
- AVISO:** Para evitar infecções, o nível de desinfecção necessário para determinado produto dependerá do tipo de tecido com o qual ele entrará em contato durante o uso. Verifique se o nível de concentração da solução e a duração do contato são adequados para o equipamento. Para obter informações, consulte as instruções no rótulo do desinfetante e as recomendações da APIC (Association for Professionals in Infection Control and Epidemiology) e da FDA.
- Cuidado:** Use apenas produtos de limpeza ou desinfetantes recomendados nas superfícies. O uso de desinfetantes de imersão não foi testado nas superfícies do sistema.

Para limpar e desinfetar o pedestal

Você pode limpar e desinfetar a superfície exterior ou o pedestal usando o produto de limpeza ou desinfetante recomendados. Para obter a lista mais recente de produtos aprovados, consulte www.sonosite.com.

- 1 Remova o sistema, desconecte a fonte de alimentação e solte os cabos.
- 2 Use um pano macio levemente umedecido em uma solução de sabão ou detergente neutro para limpar as superfícies.
Aplique a solução em um pano e não diretamente na superfície do pedestal.
- 3 Limpe as superfícies com a solução desinfetante.
- 4 Seque com ar ou com um pano limpo.

Para obter informações sobre a limpeza de periféricos, consulte as instruções do fabricante.

Segurança

Para obter o máximo de segurança, observe as informações de avisos e cuidados antes de usar acessórios e periféricos com o sistema de ultrassom e transdutores.

Segurança elétrica

- AVISO:** Para evitar o risco de choque elétrico, não conecte o cabo de alimentação do pedestal V-Universal a uma tomada portátil de soquete múltiplo (MPSO) ou a uma extensão.
- AVISO:** Para evitar o risco de choque elétrico, use somente equipamento com o devido aterramento. Haverá risco de choque elétrico se a fonte de alimentação não for devidamente aterrada. A confiabilidade do aterramento só poderá ser assegurada quando o equipamento estiver conectado a uma tomada marcada com “Somente para uso hospitalar”, “Grau hospitalar” ou algo do gênero. O fio-terra não deve ser removido nem desativado.
- AVISO:** Para evitar o risco de choque elétrico ou incêndio, verifique regularmente se há danos na fonte de alimentação, nos conectores, nos fios e nos cabos de alimentação.
- AVISO:** Para evitar o risco de choque elétrico, use somente acessórios e periféricos recomendados pela SonoSite, inclusive a fonte de alimentação. A conexão de acessórios e periféricos não recomendados pela SonoSite pode resultar em choque elétrico. Entre em contato com a SonoSite ou com seu representante local para obter a lista de acessórios e periféricos disponíveis ou recomendados pela SonoSite.
- AVISO:** Para evitar um possível choque elétrico ou interferência eletromagnética, verifique a operação correta e a conformidade com padrões de segurança relevantes de todos os equipamentos antes do uso clínico. A conexão de equipamentos adicionais ao sistema de ultrassom constitui a configuração de um sistema médico. A SonoSite recomenda verificar se o sistema, todas as combinações de equipamentos e os acessórios conectados ao sistema de ultrassom estão em conformidade com os requisitos de instalação JACHO e/ou com padrões de segurança AAMI-ES1, NFPA 99, IEC 60601-1-1 e IEC 60601-1-2, e se são certificados segundo o padrão IEC 60950 (ITE, Information Technology Equipment - Equipamentos de Tecnologia da Informação).

Segurança do equipamento

- Cuidado:** Dobrar ou torcer os cabos em excesso pode causar interrupções ou falhas de funcionamento.
- Cuidado:** A limpeza ou desinfecção inadequada de qualquer parte dos acessórios e periféricos pode provocar danos permanentes. Para obter informações sobre limpeza e desinfecção, consulte **“Limpeza e desinfecção”** na página 11 e as instruções de operação do fabricante.
- Cuidado:** O metal acessível das entradas e saídas de sinal da traseira e laterais do sistema de ultrassom não dispõe de aterramento de proteção. Não execute testes de impedância de aterramento de corrente elevada que envolvam essas partes do equipamento.

Segurança clínica

- AVISO:** Para evitar diagnósticos incorretos, não use monitores de periféricos que não sejam de padrão médico (comerciais). Esses monitores não foram verificados nem validados pela SonoSite como adequados para diagnóstico.

Compatibilidade eletromagnética (CEM)

Consulte a seção de segurança do Manual do Usuário e de guias adicionais do sistema de ultrassom para obter informações sobre a compatibilidade eletromagnética com a especificação IEC 60601-1-2, inclusive a Declaração do Fabricante.

Especificações

Para obter informações sobre periféricos, consulte as especificações do fabricante.

Dimensões do pedestal

Largura: 51 cm

Comprimento: 59 cm

Altura: 138,5 cm máx., 108 cm mín.

Faixa de altura: 30,5 cm

Peso: 16,8 kg básico, 20,4 kg deluxe

Limites de temperatura e umidade

Em operação: 10 a 40 °C; 15% a 95% de U.R.

Transporte/armazenamento: -35 a 65 °C; 15% a 95% de U.R.

Periféricos

Padrão médico

Impressora monocromática

Para adquirir papel para a impressora, contate a Sony pelo telefone +1-800-686-7669, ou em www.sony.com/professional para encomendar o papel ou para localizar um distribuidor local.

Gravador de DVD (apenas para S Series. O Pedestal V-Universal não oferece suporte para gravador de DVD desde julho de 2012).

Padrão não-médico

Teclado USB (apenas para S Series)



SonoSite
FUJIFILM

P09557-02

