

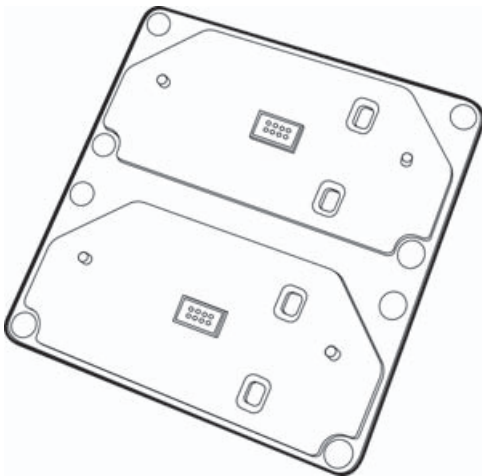
iViz Dual Charging Station

Assembly Instructions

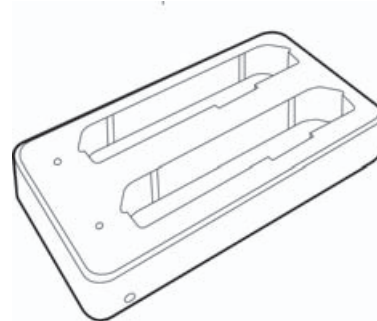


Contents

Dual charging plate (1)



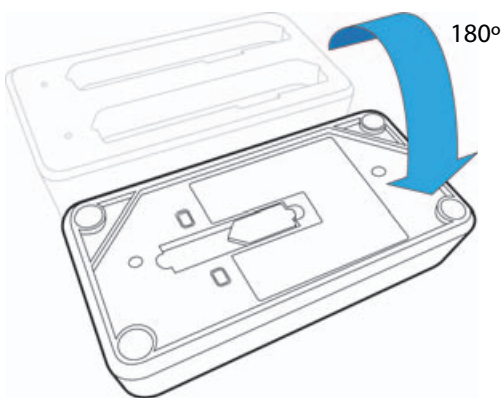
Second charger (1) (use with the charger included with iViz)



Attaching the chargers to the charging station

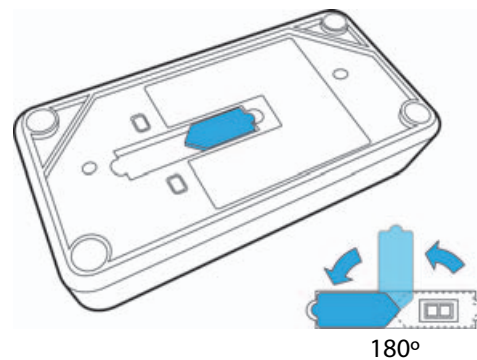
STEP 1

Turn both chargers over.



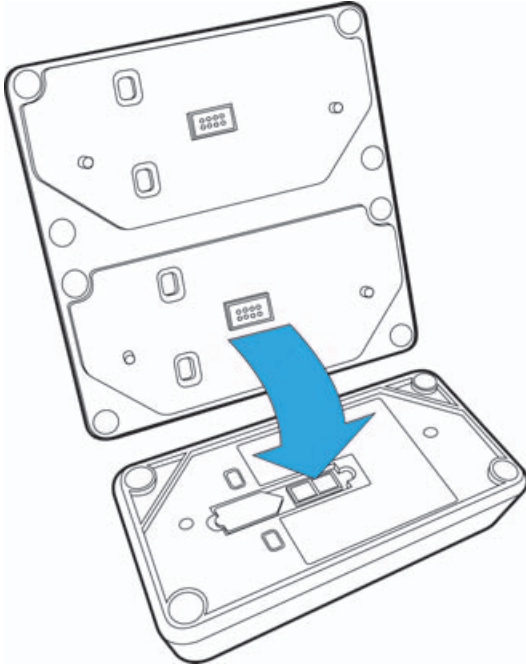
STEP 2

Rotate the protective covers on each charger.



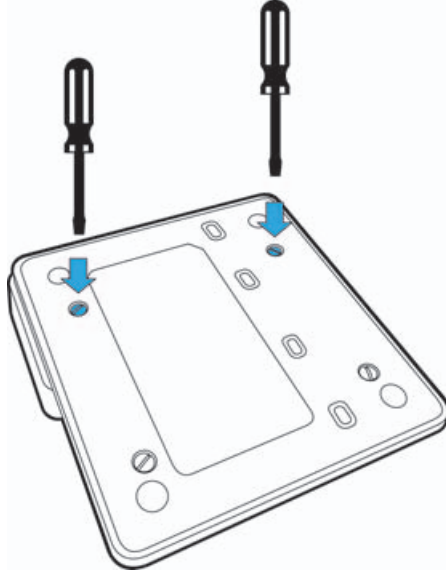
STEP 3

Place the dual charging plate on top of the first charger.



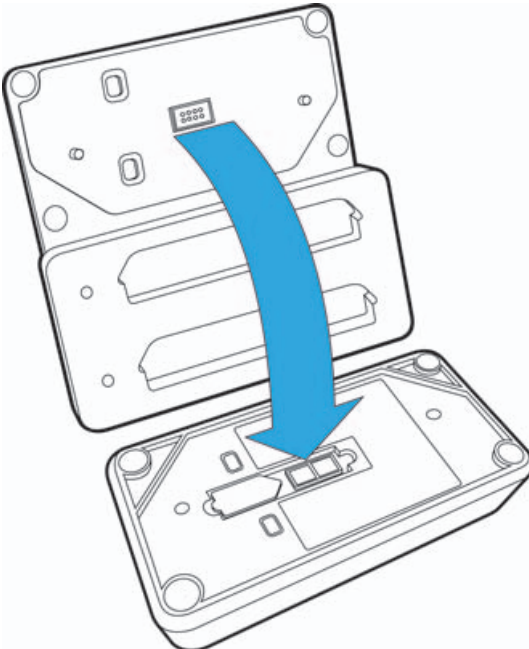
STEP 4

Tighten the first set of screws on the dual charging plate.



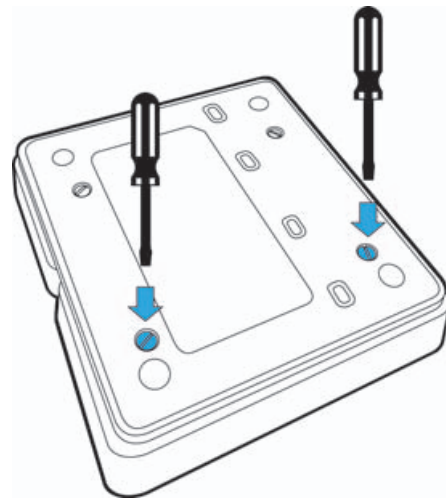
STEP 5

Place the dual charging plate on top of the second charger.



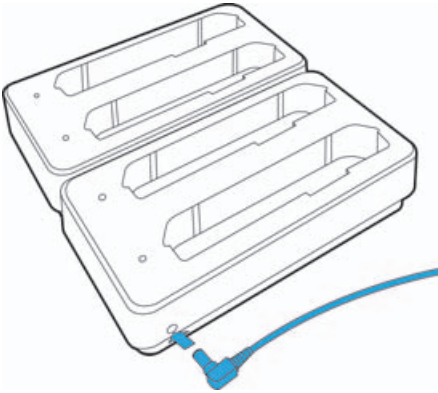
STEP 6

Tighten the second set of screws on the dual charging plate.



STEP 7

Plug the charging adapter into the dual charging station.



iViz, SonoSite and the SonoSite logo are trademarks and registered trademarks of FUJIFILM SonoSite, Inc. in various jurisdictions.

All other trademarks are the property of their respective owners.

Copyright© 2015 FUJIFILM SonoSite, Inc. All rights reserved.

Manufacturer
FUJIFILM SonoSite, Inc.

21919 30th Drive SE
Bothell, WA 98021 USA
T: 1-888-482-9449 or
1-425-951-1200
F: 1-425-951-1201

EC Authorized Representative
Emergo Europe

Molenstraat 15
2513 BH, The Hague
The Netherlands

Australia Sponsor
FUJIFILM SonoSite

Australasia Pty Ltd
114 Old Pittwater Road
Brookvale, NSW, 2100
Australia

P19434-01

