

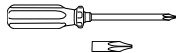
NanoMaxx Transducer Holder

Assembly Instructions

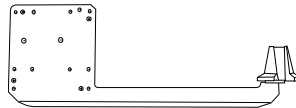
Attach the transducer holder to the NanoMaxx® ultrasound system before attaching the system to the V-Universal™ Stand or other supporting device.

See the supporting device's documentation for information on cleaning and disinfecting and on setting up the ultrasound system to use accessories and peripherals.

Contents



Magnetic screwdriver and Phillips bit



Transducer holder



8mm Phillips-head screws (4)

Attach transducer holder to system

- 1 If using the NanoMaxx dock, connect it to the system.
- 2 Place the transducer holder across the back of the system:
 - The cup faces toward the front of the system, with the smaller end up.
 - The holes on the transducer holder align with the threaded holes on the ultrasound system.
- 3 Using the magnetic screwdriver with the Phillips bit inserted, tighten the four 8mm Phillips-head screws in the four holes as in [Figure 1](#).
The screws are offset.
- 4 If using the power-only adapter, connect and secure it:
 - a Insert the power-only adapter into its connector on the system.
The cord hangs downward.
 - b Place the clamp around the adapter with the hole inward and flat side up.
 - c Using the Allen wrench, secure the clamp to the system with the enclosed screw as in [Figure 2](#).

To remove the transducer holder, loosen the four screws on the back of the transducer holder with a Phillips screwdriver.

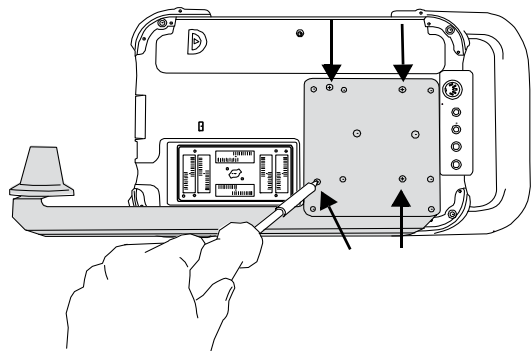


Figure 1 Tighten transducer holder (shown with dock).

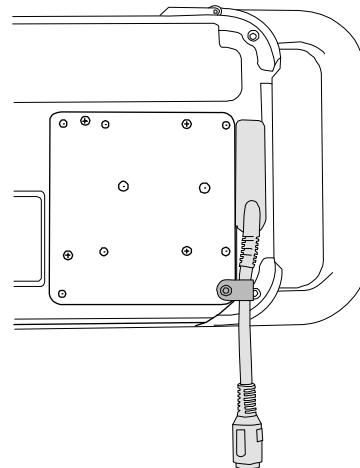


Figure 2 Secure the power-only adapter to the transducer holder.

NanoMaxx, SonoSite, the SonoSite logo, and V-Universal are trademarks or trademarks of SonoSite, Inc.

Non-SonoSite product names may be trademarks or registered trademarks of their respective owners.

The SonoSite ultrasound system referenced in this document may be covered by one or more of the following U.S. patents: 5722412, 5817024, 5893363, 6135961, 6203498, 6364839, 6371918, 6383139, 6416475, 6447451, 6471651, 6569101, 6648826, 6575908, 6604630, 6817982, 6835177, 6962566, 7169108, 7449640, 7534211, 7549961, 7588541, 7591786, 7604596, 7643040, 7686766, 7694814, 7727153, 7740586, D456509, D461895, D509900, D538432, D544962, D558351, D559390, D591423, D592750, D592760, and by the following counterpart foreign patents: AU727381, AU730822, CA2372158, CA2373065, CN ZL 97113678.5, CN ZL 98106133.8, CN ZL 98108973.9, CN ZL 200830007734.8, DE60021552.0, DE60029777.2, DE60034670.6, DE69730563.5, DE6980539.6, DE69831698.3, DE60 2004 23 816.3-08, FR0815793, FR0875203, FR0881492, FR1175713, FR1180970, FR1589878, GB0875203, GB0881492, GB1175713, GB1180970, GB1180971, GB1589878, IT0815793, IT0881492, IT1175713, IT1589878, KR528102, KR532359, NO326202, NO326814, NZ542968, RCD000897368-0001, SP0815793, SP0881492, SP1589878. Patents pending.

Caution: Federal (United States) law restricts this device to sale by or on the order of a physician.

SonoSite, Inc.
21919 30th Drive SE
Bothell, WA 98021 USA
T: 1-888-482-9449 or
1-425-951-1200
F: 1-425-951-1201

SonoSite Ltd
Alexander House
40A Wilbury Way
Hitchin, Herts
SG4 OAP UK
T: +44-1462-444800
F: +44-1462-444801

01/2011
Copyright 2011 by
SonoSite, Inc.
All rights reserved.



P12178-02

