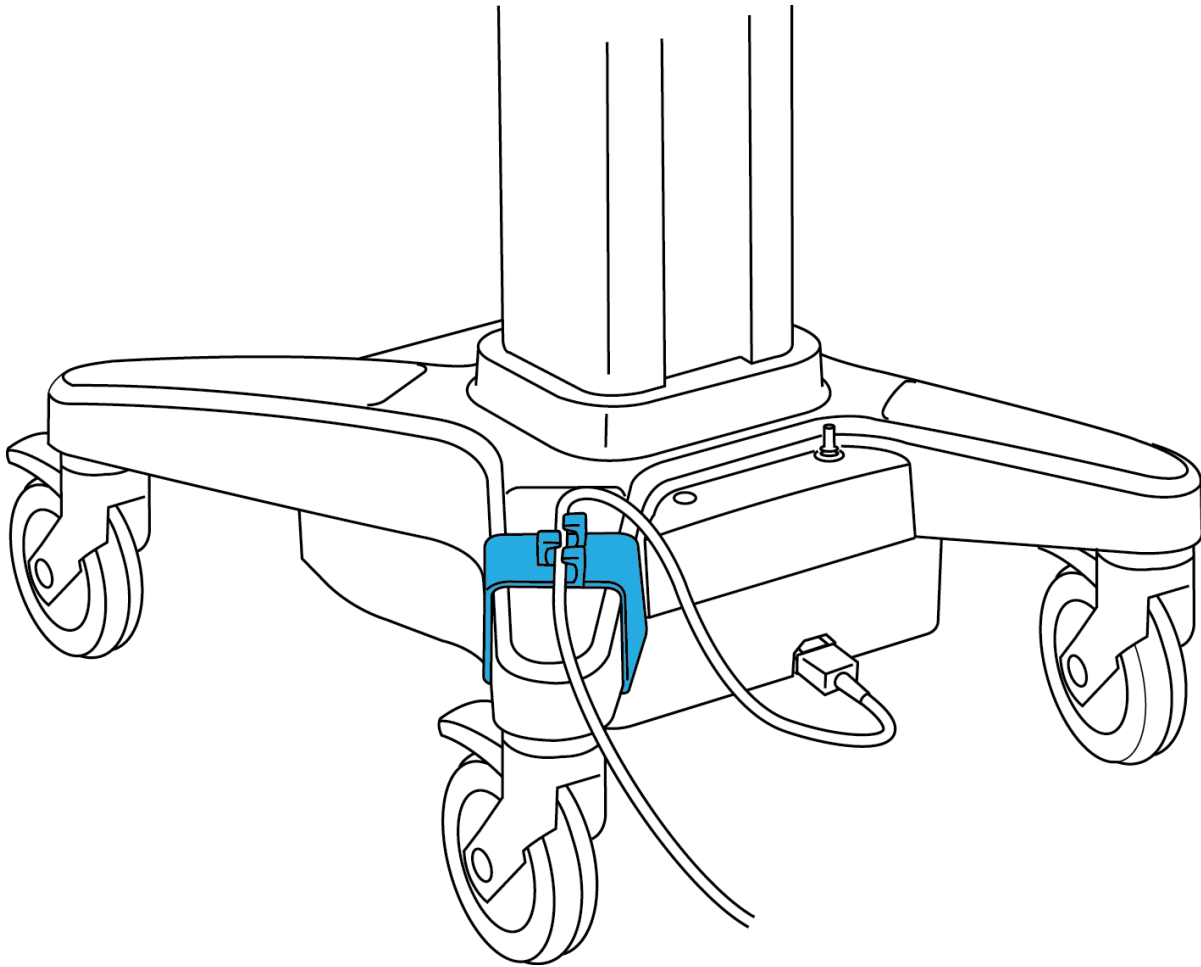


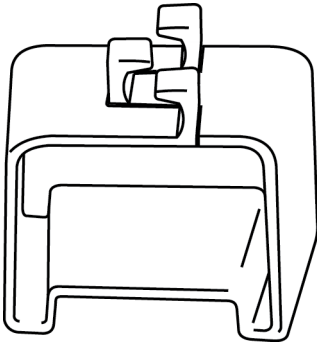
SonoSite X-Porte AC Cord Retainer Installation Instructions

FUJIFILM
Value from Innovation

SonoSite



Contents

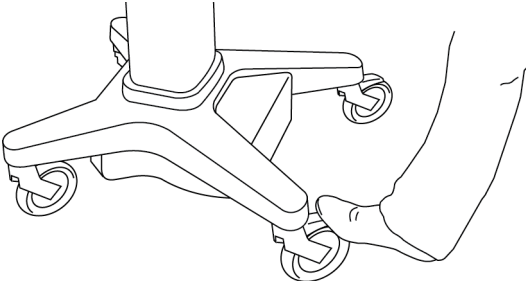


AC Cord Retainer (1)

Preparing the stand

STEP 1

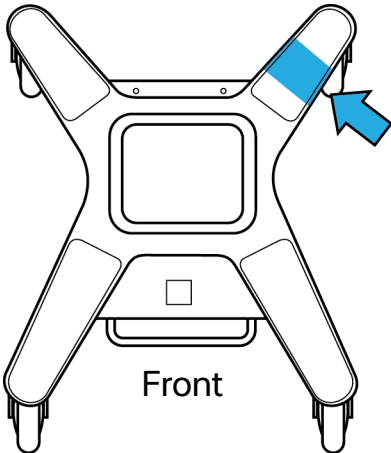
Press down the lever on two or more wheels.



Attaching the AC cord retainer

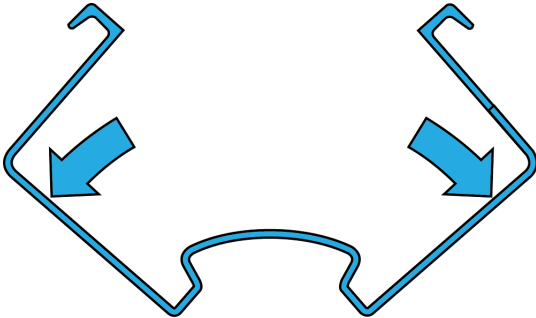
STEP 2

Find the right-rear leg of the stand.



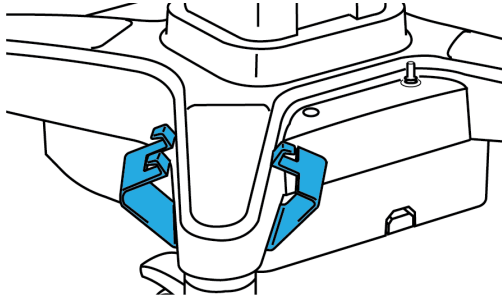
STEP 3

Spread the AC Cord Retainer apart.



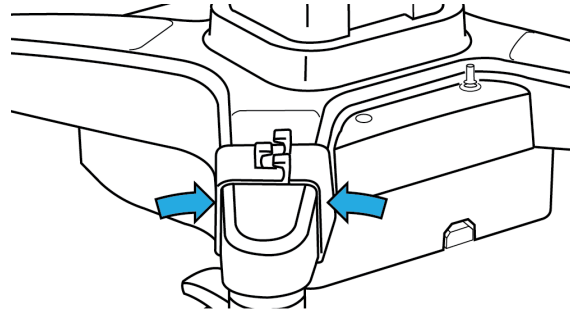
STEP 4

Wrap the AC Cord Retainer around the right-rear leg of the stand.



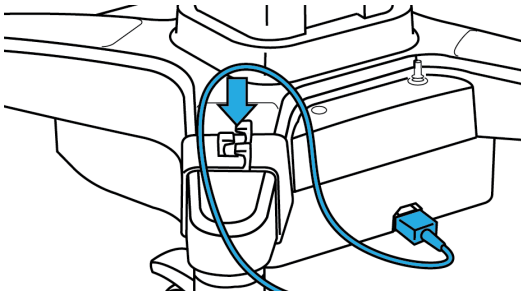
STEP 5

Close the AC Cord Retainer around the stand leg.



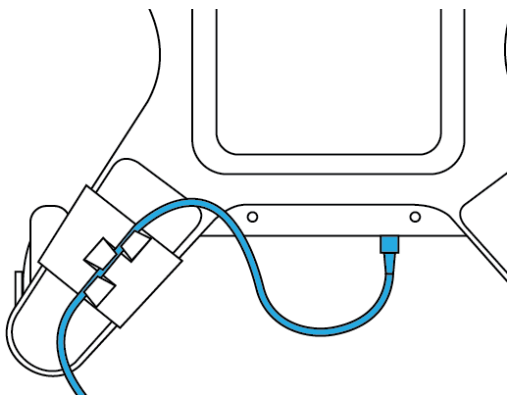
STEP 6

Pass the AC power cord through the hooks in the AC Cord Retainer. The arrangement of the cord may differ, depending on your configuration. See the examples below.



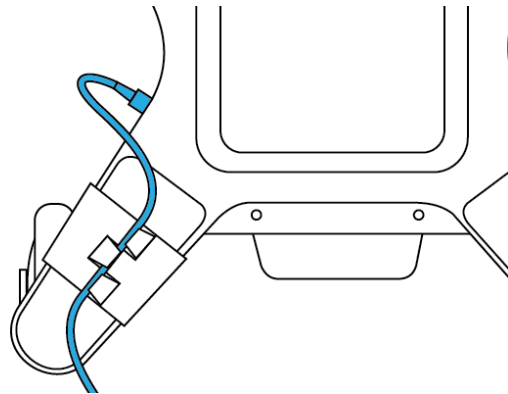
EXAMPLE A

AC power cord attached to the stand base.



EXAMPLE B

AC power cord attached to a PowerPark stand module.



For cleaning, storage, and disposal

- ▶ For cleaning instructions, see the system user guide.
- ▶ Storage requirements: Temperature: -35°C to 65°C; Humidity: 15% to 95%; Atmospheric pressure: 500 hPa to 1060 hPa.
- ▶ To dispose of the AC cord retainer, contact FUJIFILM SonoSite, or your authorized representative.

Caution

Federal (United States) law restricts this device to sale by or on the order of a physician.

X-Porte, SonoSite, and the SonoSite logo are trademarks or registered trademarks of FUJIFILM SonoSite, Inc. in various jurisdictions. Value from Innovation is a trademark of FUJIFILM Holdings America Corporation.

All other trademarks are the property of their respective owners.

Publication Date: November 2017

Copyright © 2017 FUJIFILM SonoSite, Inc. All rights reserved.

Manufacturer

FUJIFILM SonoSite, Inc.
21919 30th Drive SE
Bothell, WA 98021 USA
T: 1-888-482-9449 or 1-425-951-1200
F: 1-425-951-1201

EC Authorized Representative

FUJIFILM SonoSite B.V.
Joop Geesinkweg 140
1114 AB Amsterdam,
The Netherlands

Australia Sponsor

FUJIFILM SonoSite
Australasia Pty Ltd
114 Old Pittwater Road
BROOKVALE, NSW, 2100
Australia



P22734-02

