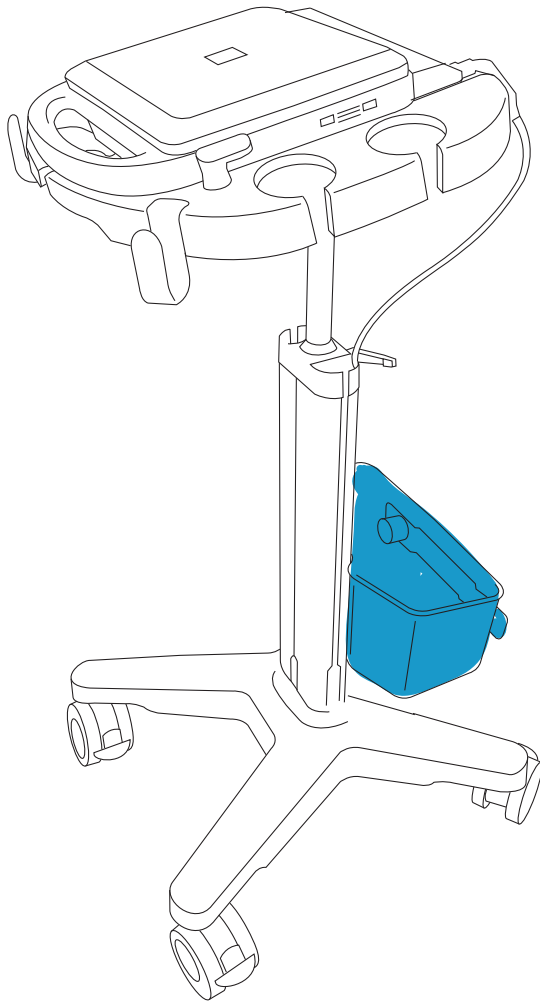


Storage Bin Assembly Instructions

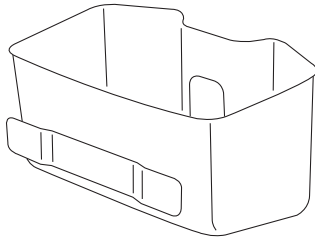
SonoSite



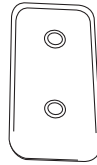
*Storage
bin shown
installed*

Unpacking the box

Storage bin (1)



Bin holder (1)



Accessory screws and washers (2)



Bracket (1)



Magnetic bit driver (1)



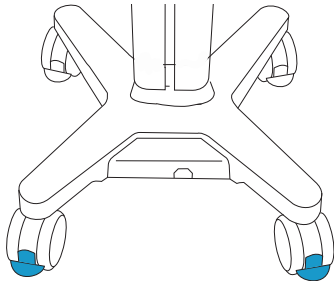
Allen bit (1)



Preparing the stand

STEP 1

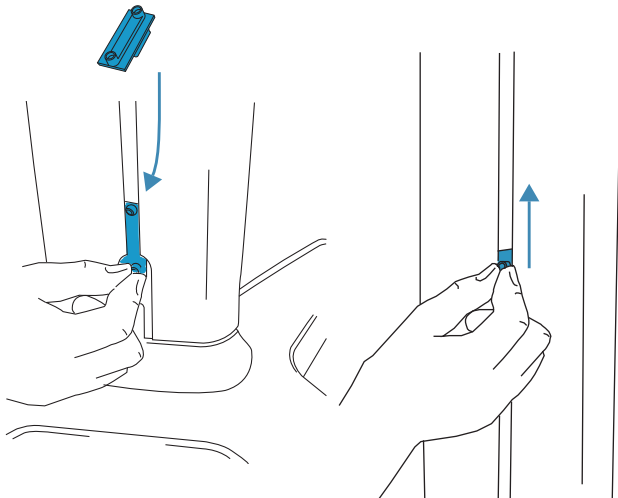
Press down the lever on two or more wheels.



Attaching the storage bin

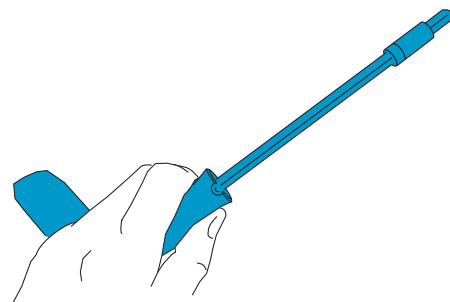
STEP 2

Insert the flat, rubber side of the bracket into the groove at the lower back of the column.



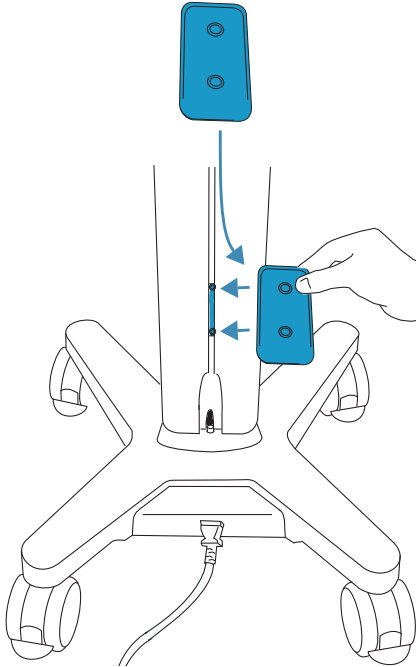
STEP 3

Insert the Allen bit into the bit driver.



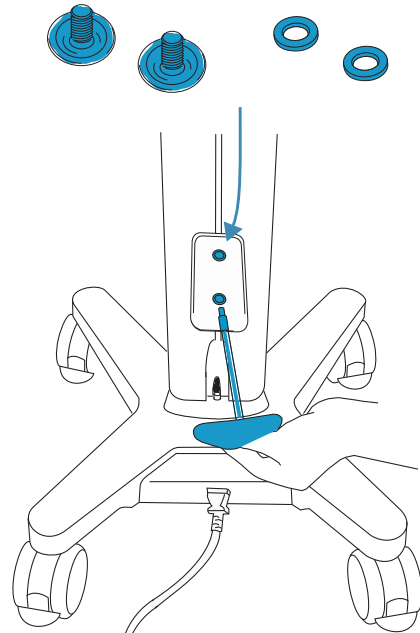
STEP 4

Align the holes on the bin holder with the holes on the bracket.



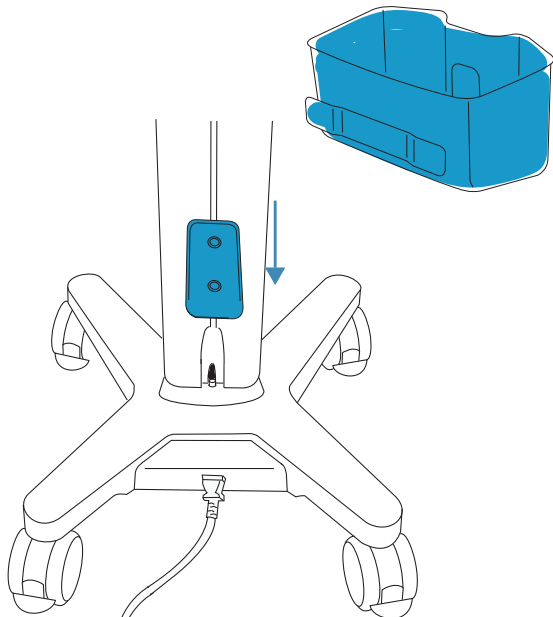
STEP 5

Use the bit driver and Allen bit to attach the bin holder to the bracket with the two accessory screws.



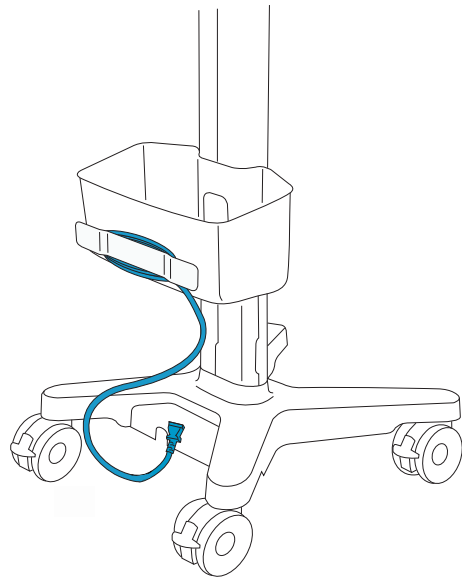
STEP 6

Attach the storage bin by sliding it down the bin holder.



STEP 7

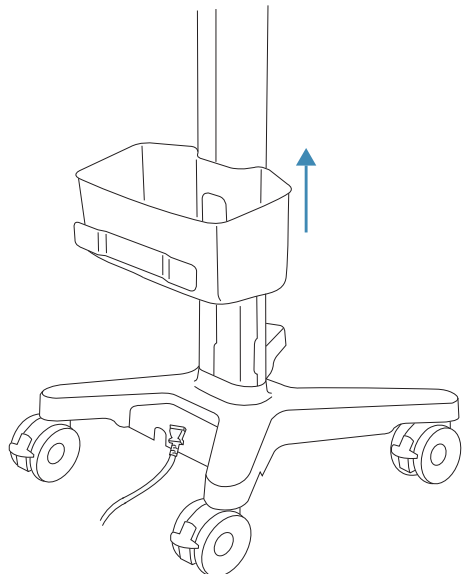
Wrap excess power cord around the cord wrap on the storage bin.



Removing the storage bin

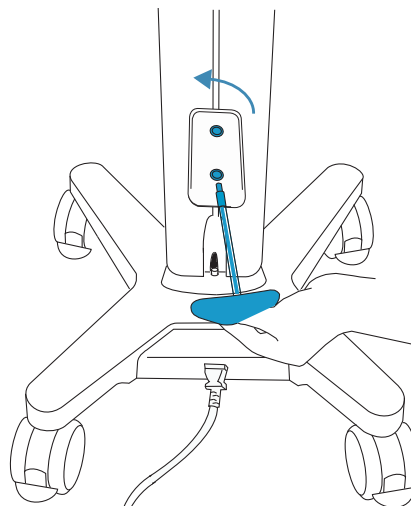
STEP 1

Press the tab on the back of the bin, and pull straight up.



STEP 2

Remove the bin holder with a bit driver or Allen wrench.



Caution: Federal (United States) law restricts this device to sale by or on the order of a physician.

Edge, SonoSite SII, SonoSite, and the SonoSite logo are trademarks or registered trademarks of FUJIFILM SonoSite, Inc. in various jurisdictions. Value from Innovation is a trademark of FUJIFILM Holdings America Corporation.

All other trademarks are the property of their respective owners.

Copyright © 2015 FUJIFILM SonoSite, Inc. All rights reserved.

Manufacturer

FUJIFILM SonoSite, Inc.
21919 30th Drive SE
Bothell, WA 98021 USA
T: 1-888-482-9449 or 1-425-951-1200
F: 1-425-951-1201

EC Authorized Representative

Emergo Europe
Molenstraat 15
2513 BH, The Hague
The Netherlands

Australia Sponsor

FUJIFILM SonoSite
Australasia Pty Ltd
114 Old Pittwater Road
BROOKVALE, NSW, 2100
Australia

11/2015



P21955-01

