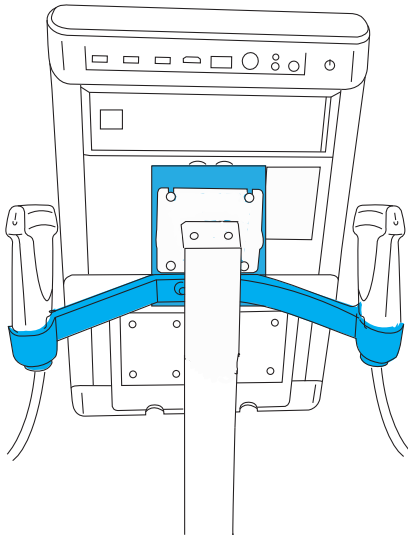


SonoSite SII Custom Mounting Assembly Instructions

You can mount the SonoSite SII system to third-party articulating arms, stands, or mounts commonly found in medical environments. Use the SonoSite SII Transducer Holder to hold transducers when mounting the system. The drawings shown in these instructions depict just one example of the SonoSite SII system assembled on a third-party mount.



*SonoSite SII Transducer Holder
and system assembled on a
third-party mount*

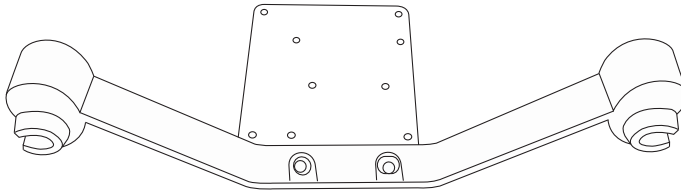
WARNING

Before beginning the procedure, read all warnings, cautions, and instructions. Failure to follow these instructions can result in serious injury or death.

Unpacking the box

Transducer holder and bracket, pre-assembled (1)

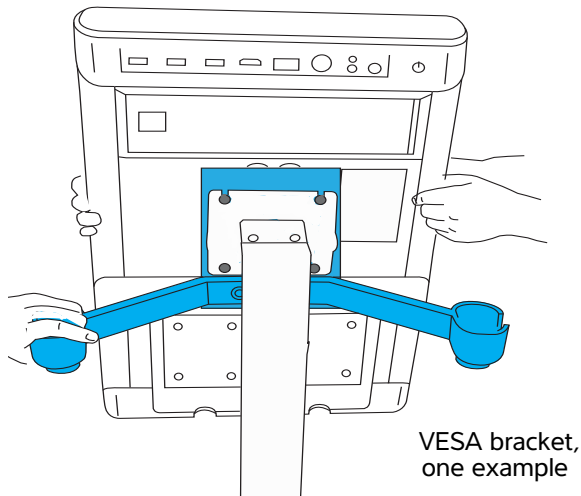
M4 x .7 x 12 mm screw (4)



Attaching the holder to the system and mount

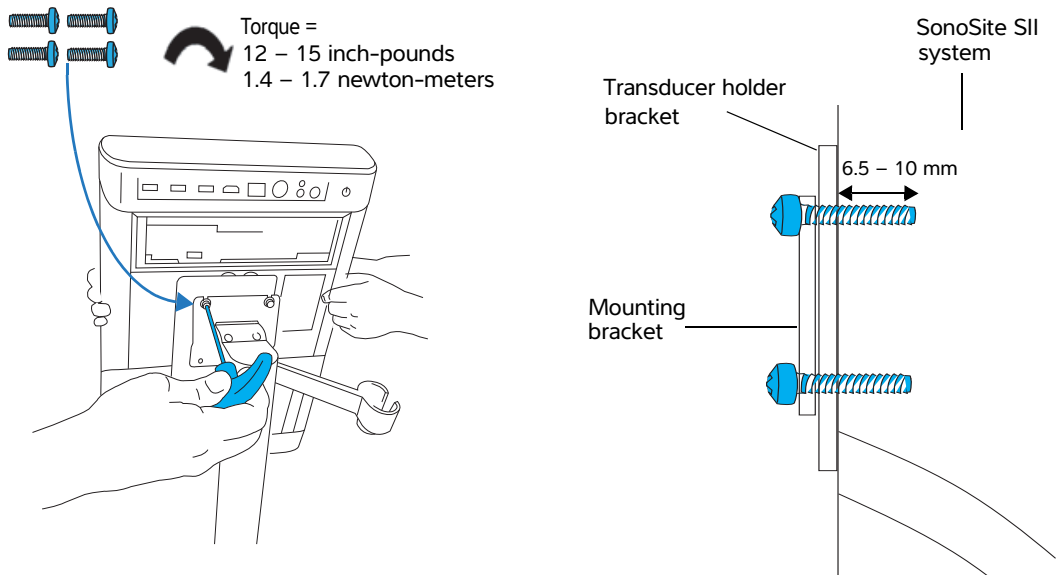
STEP 1

Align the holes on the system and transducer holder bracket with the holes on a VESA-compliant mounting bracket (see the illustration for an example). Assembly is easiest with more than one person.



STEP 2

Attach the holder and system to the mounting bracket using the M4 screws.



Notes

- ▶ Use the screws provided with a 75 x 75 mm or 100 x 100 mm VESA MIS-D compliant mounting bracket.
- ▶ The screw engagement length should be 6.5 mm minimum, 10 mm maximum, as illustrated above.

Cautions

- Once the system has been mounted, observe the following:
- ▶ Do not position the mounted system directly over the patient.
 - ▶ To avoid increasing the system and transducer connector temperature, do not block the airflow to the ventilation holes.

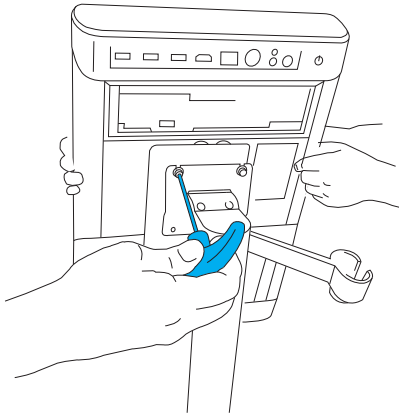
WARNINGS

- ▶ For safety purposes, it is your responsibility to:
 - ▶ Ensure that you use a VESA-compliant mount.
 - ▶ Ensure that the mount meets all applicable safety standards and healthcare facility requirements.
 - ▶ Ensure that the mount can support the total weight of the SonoSite SII ultrasound system with two transducers (18 lb / 8.2 kg).
 - ▶ Ensure that you don't pinch the power cord while moving the mounted system.
- ▶ The attachment strength of the system to the transducer holder bracket using the screws provided was tested to meet the Tensile Safety Factor requirements per IEC 60601-1:2012 (Edition 3.1), sub-clause 9.8.2, Table 21 (tensile safety factor of four times the weight of the system with two transducers and the transducer holder and bracket).

Removing the transducer holder

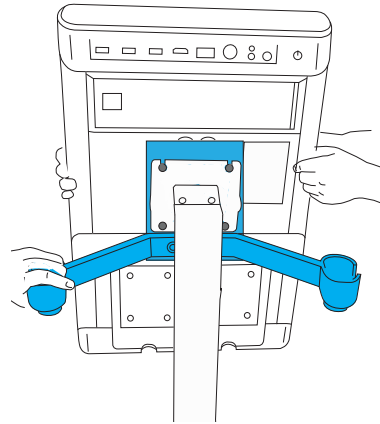
STEP 1

Loosen the four screws attaching the transducer holder to the system and mount.



STEP 2

Carefully remove the screws, followed by the system and the transducer holder.



Safety

Electrical safety

WARNINGS

To avoid the risk of electrical shock on a mounted system:

- ▶ Connect the equipment to a supply mains with protective earth.
- ▶ Use only properly grounded equipment. Shock hazards exist if the power supply is not properly grounded. Grounding reliability can be achieved only when equipment is connected to a receptacle marked "Hospital Only", "Hospital Grade", or equivalent. Do not remove or defeat the grounding wire.
- ▶ Use only accessories and peripherals recommended by FUJIFILM SonoSite, including the power supply. Connection of accessories and peripherals not recommended by FUJIFILM SonoSite could result in electrical shock. Contact FUJIFILM SonoSite or your local representative for a list of accessories and peripherals available from or recommended by FUJIFILM SonoSite.
- ▶ Do not connect the system power supply and peripherals to a multiple portable socket outlet (MPSO) or extension cord.
- ▶ If peripherals are connected to the system, ensure that the system and peripherals are connected to the same AC Mains branch circuit.
- ▶ To avoid the risk of electrical shock or injury, do not let the power supply or the system come in contact with the patient.
- ▶ The equipment is not provided with the AC mains power switch. To disconnect the equipment from mains, use the appliance coupler or mains plug on the power supply cord.
- ▶ Install the ultrasound system in a place where you can easily connect or disconnect the AC power cord.

Ergonomic safety

Refer to the *SonoSite SII User Guide* for healthy scanning guidelines intended to assist you in the comfort and effective use of your ultrasound system.

Caution

Federal (United States) law restricts this device to sale by or on the order of a physician.

SonoSite SII, SonoSite, and the SonoSite logo are trademarks or registered trademarks of FUJIFILM SonoSite, Inc. in various jurisdictions. Value from Innovation is a trademark of FUJIFILM Holdings America Corporation.

All other trademarks are the property of their respective owners.

Published May 2016

Copyright © 2016 FUJIFILM SonoSite, Inc. All rights reserved.]

Manufacturer

FUJIFILM SonoSite, Inc.
21919 30th Drive SE
Bothell, WA 98021 USA
T: 1-888-482-9449 or 1-425-951-1200
F: 1-425-951-1201

EC Authorized Representative

Emergo Europe
Molenstraat 15
2513 BH, The Hague
The Netherlands

Australia Sponsor

FUJIFILM SonoSite
Australasia Pty Ltd
114 Old Pittwater Road
BROOKVALE, NSW, 2100
Australia



P19440-01

