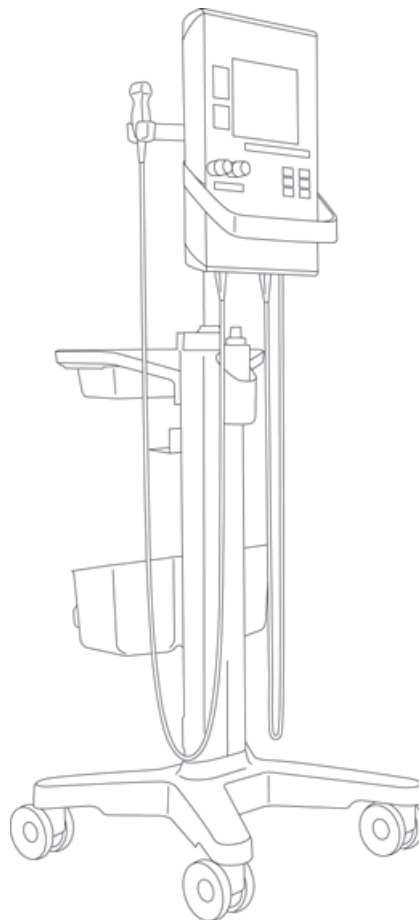

SonoSite SII Stand



User Guide

FUJIFILM
Value from Innovation

SonoSite

Manufacturer

FUJIFILM SonoSite, Inc.
21919 30th Drive SE
Bothell, WA 98021 USA
T: 1-888-482-9449 or 1-425-951-1200
F: 1-425-951-1201

EC Authorized Representative

Emergo Europe
Molenstraat 15
2513 BH, The Hague
The Netherlands

Australia Sponsor

FUJIFILM SonoSite Australasia Pty Ltd
114 Old Pittwater Road
BROOKVALE, NSW, 2100
Australia

Caution

United States law restricts this device to sale by or on the order of a physician.

SonoSite SII, SonoSite, and the SonoSite logo are registered and unregistered trademarks of FUJIFILM SonoSite, Inc. in various jurisdictions.

All other trademarks are the property of their respective owners.

Part Number: P20557-01

Publication Date: February 2016

Copyright © 2016 FUJIFILM SonoSite, Inc. All Rights reserved.



SonoSite SII Stand User Guide

Contents

Introduction	1
Conventions	2
Customer assistance and comments	2
Stand features	3
Attaching and removing the ultrasound system	4
Adjusting the height and angle of the stand	7
Moving and locking the stand	9
Troubleshooting	10
Cleaning and disinfecting	11
Safety	12
Electrical safety	12
Equipment safety	13
Clinical safety	13
Electromagnetic compatibility (EMC)	13
Specifications	15
Stand dimensions	15
Temperature and humidity limits	16
Peripherals	16

Introduction

The *SonoSite SII Stand User Guide* explains how to use the SonoSite SII stand and peripherals. For information on a peripheral, see the manufacturer's instructions included with that product. For information on the transducers, see the *SonoSite SII Ultrasound System User Guide*.

If you need to disassemble the stand, refer to the *SonoSite SII Stand Assembly Instructions*, available with the stand and at www.sonosite.com.

WARNING:

To avoid the risk of patient injury, misdiagnosis, or user injury, read all the warnings in the ultrasound system user guide and supplemental guides.

Conventions

The user guide follows these conventions:

- ▶ A **WARNING** describes precautions necessary to prevent injury or loss of life.
- ▶ A **Caution** describes precautions necessary to protect the products.
- ▶ A **Note** provides supplemental information.
- ▶ Numbered steps in procedures must be performed in order.
- ▶ Items in bulleted lists do not require a sequence.
- ▶ Single-step procedures begin with ❖.

Symbols and terms used on the system are explained in the ultrasound system user guide.

Customer assistance and comments

Questions and comments are encouraged. FUJIFILM SonoSite is interested in your feedback regarding the system and the user guide. Please call FUJIFILM SonoSite at 888-482-9449 in the U.S. Outside the U.S., call the nearest FUJIFILM SonoSite representative.

For technical support, please contact FUJIFILM SonoSite as follows:

FUJIFILM SonoSite Technical Support

Phone (U.S. or Canada)	877-657-8118
Phone (outside U.S. or Canada)	425-951-1330, or call your local representative
Fax	425-951-6700
Email	service@sonosite.com
Web	www.sonosite.com
Europe Service Center	Main: +31 20 751 2020 English support: +44 14 6234 1151 French support: +33 1 8288 0702 German support: +49 69 8088 4030 Italian support: +39 02 9475 3655 Spanish support: +34 91 123 8451
Asia Service Center	+65 6380-5581

Stand features

The stand provides a mobile work platform and a storage area for transducers and other supplies. It also provides connections for accessories and peripherals.

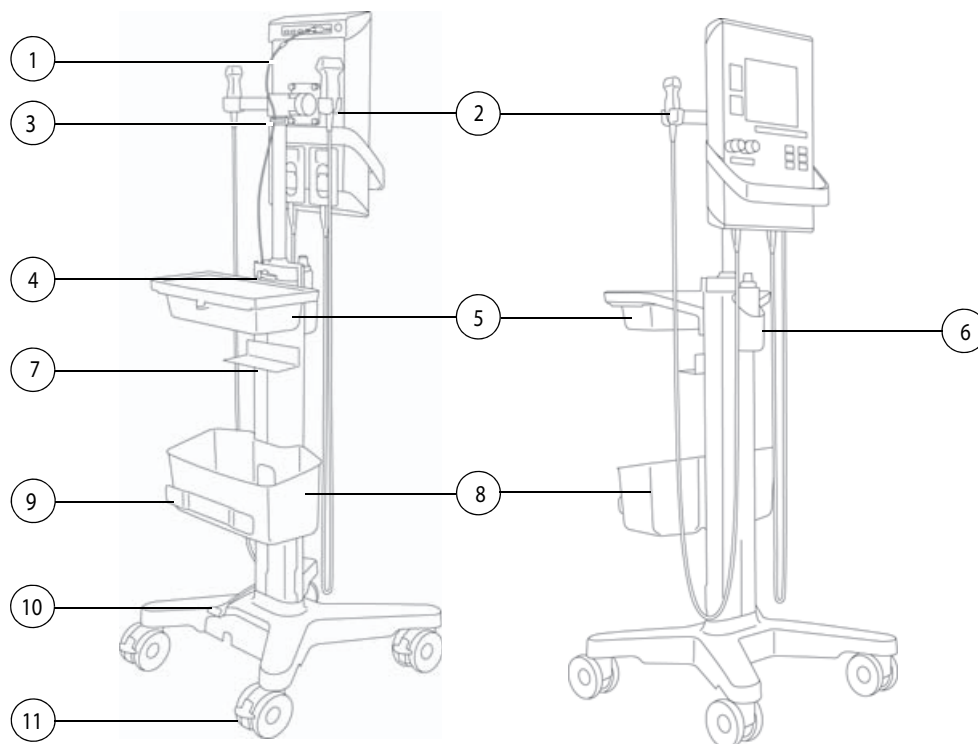


Figure 1 SonoSite SII Stand: Back and front views (shown with ultrasound system installed)

1	DC power cord	7	Printer shelf (optional)
2	Transducer holder	8	Storage bin*
3	Wiring bracket	9	Cord wrap bracket
4	Height adjustment lever	10	AC cord retainer (optional)
5	Tray and drawer	11	Wheel lock lever
6	Gel bottle holder		

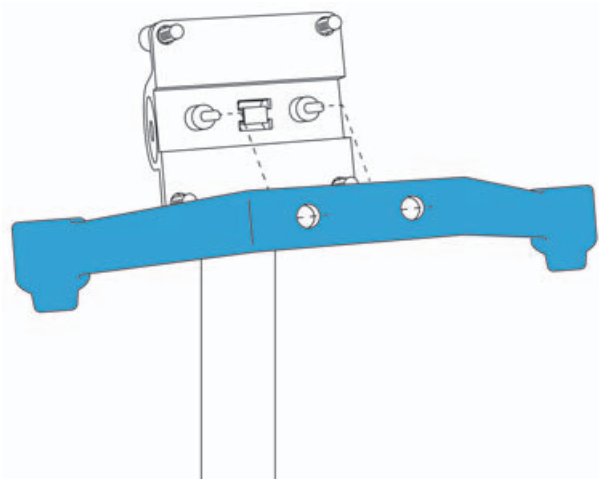
* An optional second storage bin is available for purchase.

Attaching and removing the ultrasound system

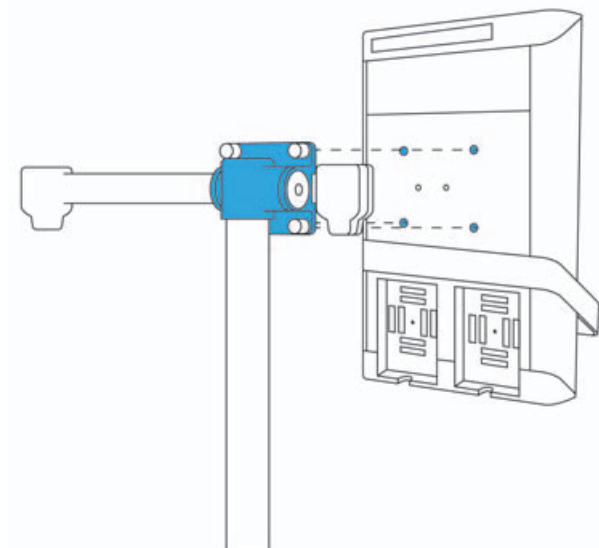
Be careful to always support the weight of the ultrasound system when attaching or removing it from the stand.

To attach the ultrasound system

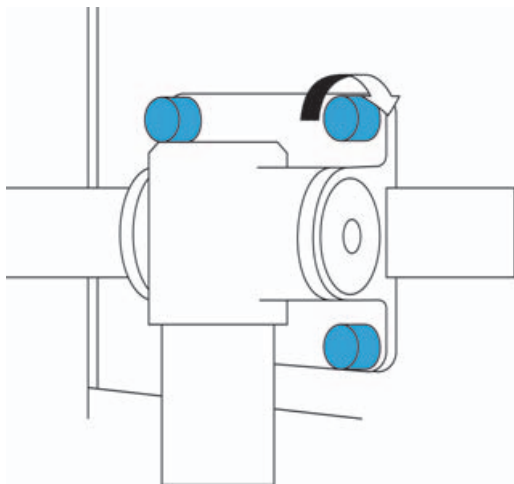
- 1 Place the transducer holder on the mounting plate.



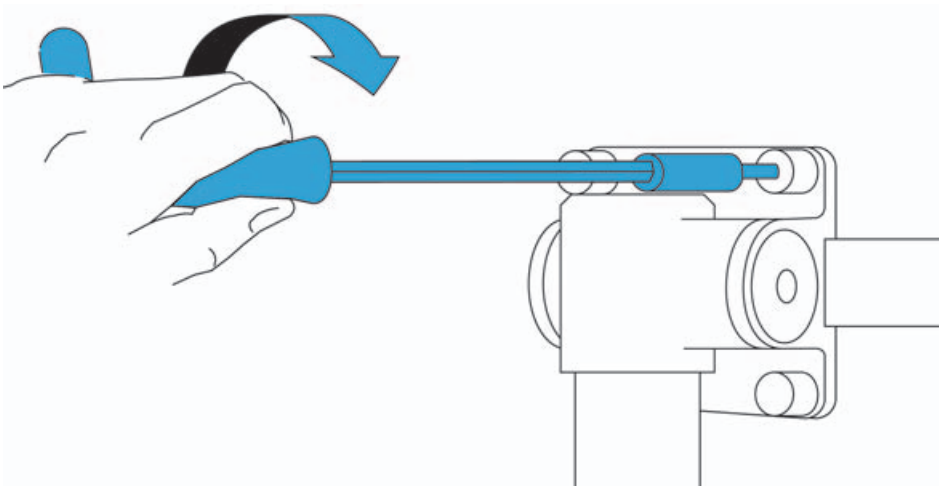
- 2 Place the back of the system onto the mounting plate.



- 3 Turn the four captive fastener screws clockwise by hand into the holes in the back of the system until the system is securely in place.



- 4 Tighten the fasteners with a Phillips-head screwdriver.



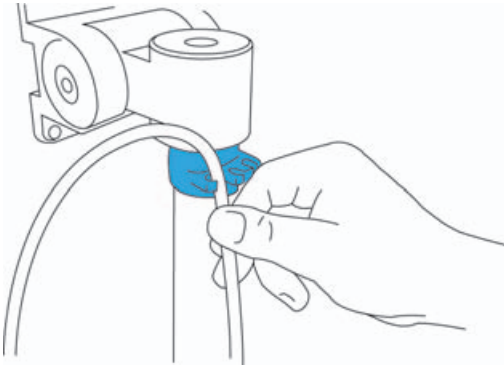
A driver and Phillips-head insert is included with the stand.

To connect AC power

- ❖ Connect the following cords:
 - ▶ DC power cord
 - ▶ System AC power cord

To connect cords to the wiring bracket

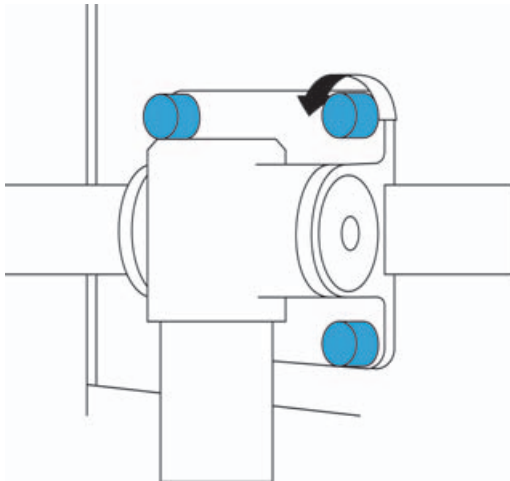
- ❖ Attach the cords to the matching slots in the wiring bracket.



To remove the ultrasound system

WARNING: To avoid the risk of personal injury or damage to the ultrasound system, support the full weight of the ultrasound system while loosening and removing it from the stand.

- 1 Support the ultrasound system so that it does not fall when loosened.
- 2 Turn the screw counterclockwise in each of the four corners of the mounting plate. If necessary, use a Phillips-head screwdriver.



- 3 Remove the system from the stand.

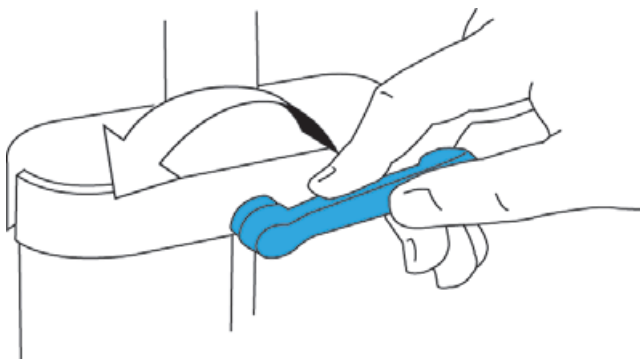
The system lifts off the two mounting plate pegs.

Adjusting the height and angle of the stand

To raise or lower the ultrasound system

- 1 Lock two or more wheels.
- 2 Make sure that the area above the column is clear.
- 3 Loosen the height-adjustment lever by turning it counter-clockwise.

The pole is spring-loaded, and the system will rise from the column automatically, unless it is already at its maximum height.

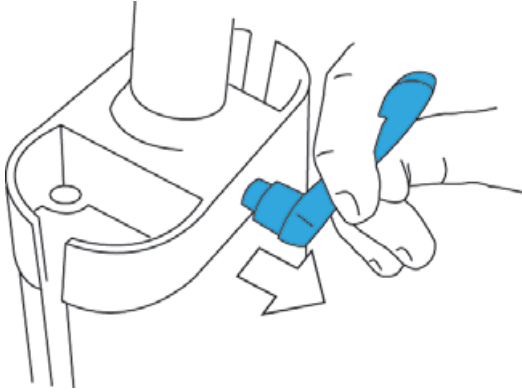


- 4 Raise or lower the system to the desired height, and then tighten the height-adjustment lever by turning it clockwise.

Caution:

When lowering the pole, avoid grasping its base. Skin could get caught and pinched in the gap.

If you cannot rotate the height-adjustment lever due to an obstruction (for example, the ultrasound system or an accessory is in the way), you can reposition the lever by pulling the lever outward, turning it to the desired position, and then releasing it.



To adjust the system angle

- 1 Lock two or more wheels.
- 2 Grasp the handle on the front of the ultrasound system, and then tilt and rotate the system to the desired angle.

Moving and locking the stand

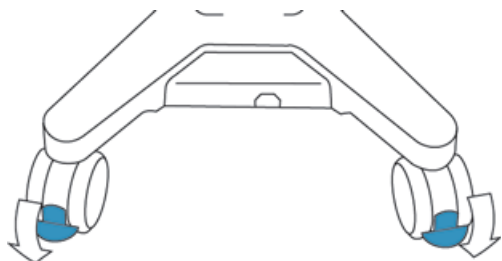
WARNINGS:

To help avoid injury or equipment damage that could result from the stand toppling over:

- ▶ Adjust the height of the system to its lowest possible setting on the stand before moving the stand.
- ▶ Move the stand by pushing the tray assembly. Do not push or pull the stand using the handle on the front of the SonoSite SII ultrasound system.
- ▶ Do not apply undue force when moving the stand.

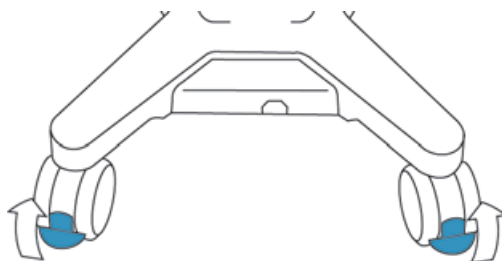
To lock the stand

- ❖ Push down on each wheel's locking lever.



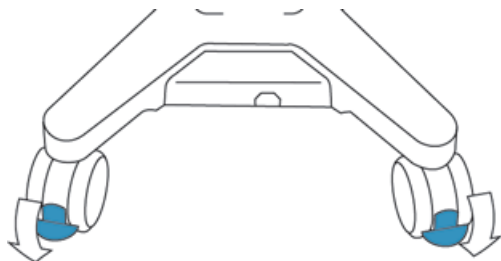
To move the stand

- 1 Unlock each wheel by pushing up on the locking lever.



- 2 Grasp the stand firmly by the tray assembly, and move the stand to the new location.

- 3 When you have finished moving the stand, lock at least two of the wheels by pushing down on the locking lever.



Troubleshooting

Issue	Solution
Printer does not print.	<ul style="list-style-type: none">▶ Check the printer selection on the Connectivity settings page. For more information, see the <i>SonoSite SII user guide</i>.▶ Check the cable connections. For more information, see the <i>SonoSite SII Stand Assembly Instructions</i>.▶ Ensure that the printer is turned on and set up properly. See the printer manufacturer's instructions, if necessary.
Stand tips over more easily than expected.	<ul style="list-style-type: none">▶ Lower the pole to lower the ultrasound system and optional tray.▶ Avoid placing or hanging heavy objects on the stand. Too much weight can cause the stand to become less stable.

Cleaning and disinfecting

WARNINGS:

- ▶ To avoid electrical shock, before cleaning, always disconnect the system from the power supply.
- ▶ To avoid injury, always use protective eyewear and gloves when performing cleaning and disinfecting procedures.
- ▶ To avoid infection, ensure that the solution expiration date has not passed.
- ▶ To avoid infection, the level of disinfection required for a product is dictated by the type of tissue it comes into contact with during use. Ensure that the solution strength and contact time are appropriate for the equipment. For information, see the disinfectant label instructions and the recommendations of the Association for Professionals in Infection Control and Epidemiology (APIC) and FDA.

Caution:

Use only recommended cleaners or disinfectants on surfaces. Immersion-type disinfectants are not tested for use on surfaces.

To clean and disinfect the stand

You can clean and disinfect the exterior surface of the stand using a recommended cleaner or disinfectant. For the most recent list of approved products, see www.sonosite.com.

- 1 Turn off the ultrasound system and any accessory equipment. Disconnect the system and accessory equipment from AC power.
- 2 Clean the stand surfaces to remove any debris or bodily fluids. Use the following procedure:
 - a Use either a pre-moistened wipe or a soft cloth dampened with cleaner or disinfectant.

Approved cleaners and disinfectants for the stand

Cleaner/disinfectant	Minimum wet contact time ¹
SaniCloth AF3 (gray top) ²	3 minutes
SaniCloth Plus (red top)	3 minutes
PI-Spray II	20 minutes

¹ For maximum effectiveness, the component being cleaned must remain wet with disinfectant for a minimum period of time.

² Qualified for use as an intermediate-level disinfectant for mycobacteria. For a more complete list, refer to the cleaners and disinfection document available at www.sonosite.com

- b Remove all gel, debris, and bodily fluids from the stand.

- c With a new wipe, clean all parts of the stand by wiping from the clean areas to the soiled areas. This method helps to avoid cross-contamination.
 - d Observe the minimum wet contact time. Monitor the stand parts for wet appearance. Reapply with a new wipe if no longer wet.
- 3 Allow the stand to air dry in a clean, well-ventilated space.

For information about cleaning the peripherals, see the manufacturer's instructions.

Safety

For maximum safety, observe the following warnings and cautions before using accessories and peripherals with the SonoSite SII ultrasound system and transducers.

Electrical safety

WARNINGS:

To avoid the risk of electrical shock and possible fire:

- ▶ Do not plug the power cord of the SonoSite SII stand into a multiple portable socket outlet (MPSO); do not use an extension cord.
- ▶ Use only properly grounded equipment. Shock hazards exist if the power supply is not properly grounded. Grounding reliability can only be achieved when equipment is connected to a receptacle marked "Hospital Only," "Hospital Grade," or the equivalent. The grounding wire must not be removed or bypassed.
- ▶ Do not connect more than one peripheral at a time.
- ▶ Inspect the power supply, plugs, cables, and power cords on a regular basis for damage.
- ▶ Use only accessories and peripherals recommended by FUJIFILM SonoSite, including the power supply. Connection of accessories and peripherals not recommended by FUJIFILM SonoSite could result in electrical shock. Contact FUJIFILM SonoSite or your local representative for a list of accessories and peripherals available from or recommended by FUJIFILM SonoSite.

Equipment safety

WARNING: To avoid tipping, and the risk of personal injury or damage to the system, do not move the stand using the handle on the front of the ultrasound system.

- ▶ Excessive bending or twisting of cables can cause a failure or intermittent operation.
- ▶ Improper cleaning or disinfecting of any part of the accessories and peripherals can cause permanent damage. For cleaning and disinfecting instructions, see **“Cleaning and disinfecting”** on page 11 and the manufacturer’s operating instructions.
- ▶ Use only peripherals recommended by FUJIFILM SonoSite.
- ▶ Accessible metal on the signal inputs and outputs on the back and side of the ultrasound system is not protectively earthed. Do not perform a high current ground impedance test involving this part.

Cautions:











Clinical safety





WARNING: To avoid misdiagnosis, do not use non-medical (commercial) grade peripheral monitors. These monitors have not been verified or validated by FUJIFILM SonoSite as being suitable for diagnosis.

Electromagnetic compatibility (EMC)

See the safety section of the ultrasound system user guide and supplemental guides for information on electromagnetic compatibility with IEC 60601-1-2, including the Manufacturer’s Declaration.

Labeling symbols

Symbol	Definition
	Class 1 device requiring verification by the Notified Body of sterilization or measurement features, or to a Class IIa, IIb, or III device requiring verification or auditing by the Notified Body to applicable Annex(es) of 93/42/EEC
	Corrugated recycle
	Dangerous voltage
	Date of manufacture
	Direct Current (DC)
	Do not get wet.
	Do not stack over 2 high.
	Do not stack over 5 high.
	Do not stack over 10 high.
	Fragile

Symbol	Definition
	Paper recycle
	To avoid tipping, do not move the system using the handle on the front of the SonoSite SII ultrasound system.
	When moving the system, push the stand using the tray.
	Maximum weight load
<p>WARNING: Connect Only Accessories and Peripherals Recommended by FUJIFILM SonoSite</p>	<p>WARNING: Connect Only Accessories and Peripherals Recommended by FUJIFILM SonoSite</p>

Specifications

For information on the peripherals, see the manufacturer's specifications.

Stand dimensions

- ▶ Width: 51 cm (20 in.)
- ▶ Length: 59 cm (23 in.)
- ▶ Height: 138.5 cm (54 in.) max., 108 cm (42.5 in.) min.
- ▶ Height range: 30.5 cm (11 in.)
- ▶ Safe working load per bin: 5 kg (11 lbs.)

- ▶ Weight:
 - ▶ 16.8 kg (37 lbs.)
 - ▶ 45kg (100 lbs.) maximum total weight with system and accessories.

Temperature and humidity limits

Operating: 10–40°C; 15–95% R.H.

Shipping/Storage: -35–65°C; 15–95% R.H.

Peripherals

- ▶ Printer

For instructions on installing and setting up the printer, see the *Printer Installation Instructions*. For printer paper, contact Sony at 1-800-686-7669 or www.sony.com/professional to order paper or to find a local distributor.

- ▶ Storage bin
- ▶ AC cord retainer
- ▶ Gel bottle holder
- ▶ Tray and drawer assembly
- ▶ Wiring bracket

Benutzerhandbuch für das SonoSite SII-Stativ

Inhalt

Einführung	17
Konventionen	17
Kundendienst und Kommentare	18
Optionen des Stativs	19
Anschließen und Entfernen des Ultraschallsystems	20
Anpassen der Höhe und des Winkels des Stativs	23
Verschieben und Arretieren des Stativs	25
Fehlersuche	26
Reinigung und Desinfektion	27
Sicherheit	29
Elektrische Sicherheit	29
Gerätesicherheit	29
Klinische Sicherheit	30
Elektromagnetische Verträglichkeit (EMV)	30
Technische Daten	32
Stativabmessungen	32
Grenzwerte für Temperatur und Luftfeuchtigkeit	33
Peripheriegeräte	33

Einführung

Das *Benutzerhandbuch für das SonoSite SII-Stativ* erläutert den Gebrauch des SonoSite SII-Stativs und der Peripheriegeräte. Weitere Informationen zu den Peripheriegeräten entnehmen Sie der mit dem jeweiligen Produkt gelieferten Bedienungsanleitung des Herstellers. Informationen zu den Schallköpfen finden Sie im *Benutzerhandbuch für das SonoSite SII-Ultraschallsystem*.

Falls Sie das Stativ demontieren müssen, entnehmen Sie entsprechende Informationen den *Montageanweisungen für das SonoSite SII-Stativ*, die dem Stativ beigelegt sind oder unter www.sonosite.com zur Verfügung stehen.

WARNHINWEIS:

Um eine Verletzung des Patienten, eine Fehldiagnose oder eine Verletzung des Bedieners zu vermeiden, müssen die Warnhinweise im Benutzerhandbuch des Ultraschallsystems und in den ergänzenden Handbüchern sorgfältig gelesen werden.

Konventionen

Für das Benutzerhandbuch gelten folgende Konventionen:

- ▶ Ein **WARNHINWEIS** beschreibt die notwendigen Vorsichtsmaßnahmen zur Vermeidung einer Verletzung oder eines tödlichen Unfalls.

- ▶ Ein **Vorsichtshinweis** beschreibt die notwendigen Vorsichtsmaßnahmen zum Schutz der Produkte.
- ▶ Ein **Hinweis** enthält ergänzende Informationen.
- ▶ Nummerierte Schritte in den Bedienungsanleitungen müssen in der angegebenen Reihenfolge ausgeführt werden.
- ▶ Punkte in nicht nummerierten Aufzählungen erfordern keine bestimmte Reihenfolge.
- ▶ Verfahren mit nur einem Schritt beginnen mit ❖.

Die im Zusammenhang mit dem System verwendeten Symbole und Begriffe werden im Benutzerhandbuch des Ultraschallsystems erklärt.

Kundendienst und Kommentare

Fragen und Kommentare sind willkommen. FUJIFILM SonoSite ist an Ihrem Feedback zum System und zum Benutzerhandbuch interessiert. Wenden Sie sich in den USA unter (+1-888)-482-9449 an FUJIFILM SonoSite, außerhalb der USA wenden Sie sich an die nächste FUJIFILM SonoSite-Vertretung.

Der technische Kundendienst von FUJIFILM SonoSite ist wie folgt erreichbar:

FUJIFILM SonoSite Technischer Kundendienst

Telefon (USA oder Kanada)	+1-877-657-8118
Telefon (außerhalb der USA und Kanadas)	+1-425-951-1330, oder wenden Sie sich an Ihren zuständigen Kundendienstvertreter
Fax	+1-425-951-6700
E-Mail	service@sonosite.com
Web	www.sonosite.com
Europäisches Servicezentrum	Hauptstelle: +31 20 751 2020 Kundendienst auf Englisch: +44 14 6234 1151 Kundendienst auf Französisch: +33 1 8288 0702 Kundendienst auf Deutsch: +49 69 8088 4030 Kundendienst auf Italienisch: +39 02 9475 3655 Kundendienst auf Spanisch: +34 91 123 8451
Asiatisches Servicezentrum	+65 6380-5581

Optionen des Stativs

Das Stativ bietet eine mobile Arbeitsplattform und ermöglicht die Unterbringung der Schallköpfe und anderer Zubehörkomponenten. Außerdem bietet es Anschlussmöglichkeiten für Zubehör und Peripheriegeräte.

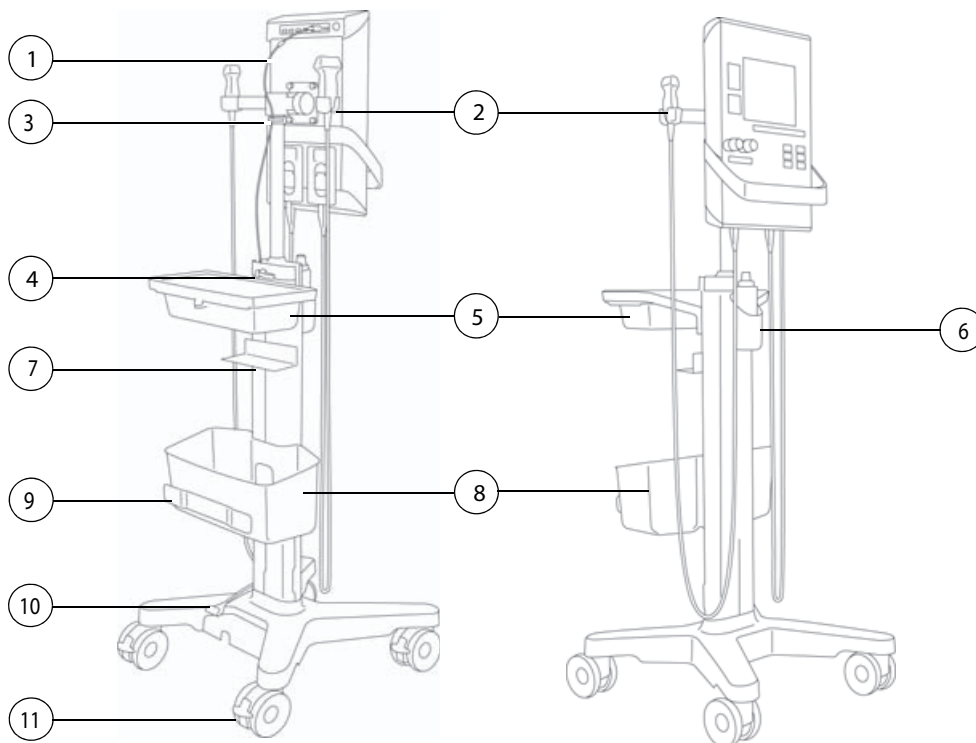


Abbildung 1 SonoSite SII-Stativ: Rück- und Vorderansicht (mit installiertem Ultraschallsystem)

1	Gleichstromkabel	7	Druckerablage (optional)
2	Schallkopfhalter	8	Aufbewahrungsbehälter*
3	Kabelklemme	9	Kabelaufwickler
4	Hebel zur Höhenverstellung	10	Netzkabelhalter (optional)
5	Ablage und Schubfach	11	Hebel zur Radarretierung
6	Gelflaschenhalter		

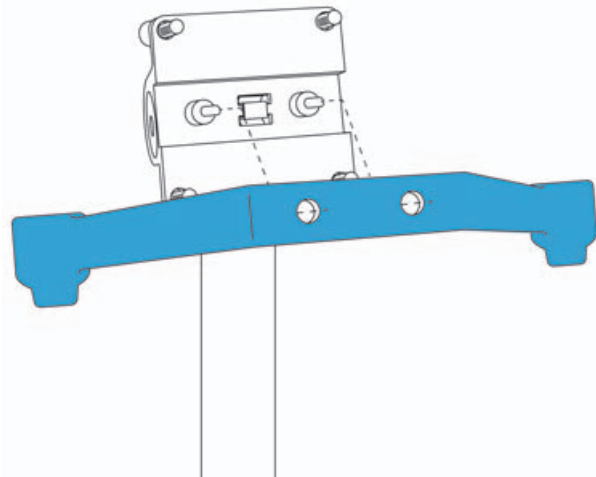
* Optional kann ein zweiter Aufbewahrungsbehälter erworben werden.

Anschließen und Entfernen des Ultraschallsystems

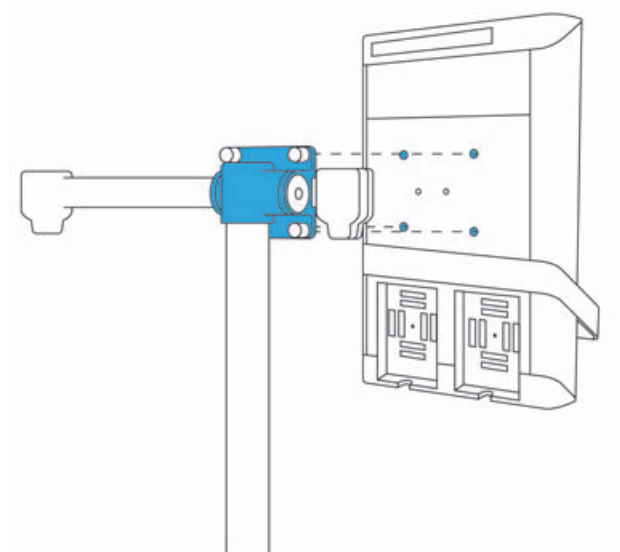
Beachten Sie, dass das Gewicht des Ultraschallsystems beim Anbringen und Abnehmen vom Stativ jederzeit gestützt werden muss.

So befestigen Sie das Ultraschallsystem

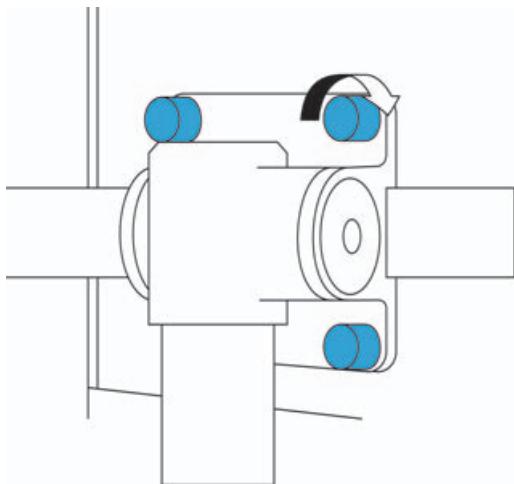
- 1 Platzieren Sie den Schallkopfhalter an der Montageplatte.



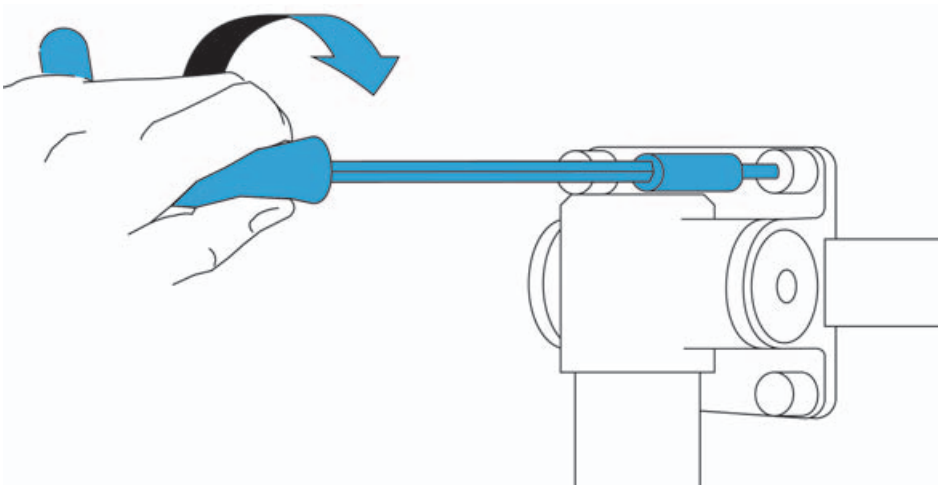
- 2 Platzieren Sie die Rückseite des Systems an der Montageplatte.



- 3 Drehen Sie die vier unverlierbaren Befestigungsschrauben per Hand im Uhrzeigersinn in die Löcher an der Rückseite des Systems, bis das System sicher angebracht ist.



- 4 Ziehen Sie die Befestigungselemente mit einem Kreuzschlitzschraubendreher fest.



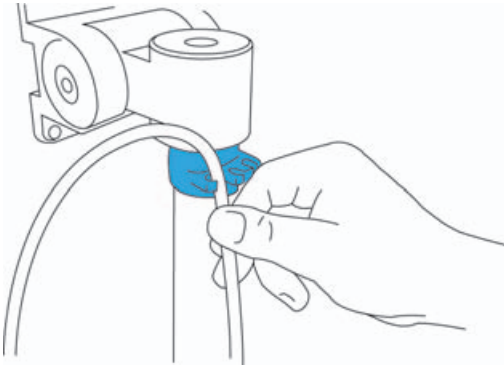
Ein Schraubendreher und ein Kreuzschlitzzeinsatz sind im Lieferumfang des Stativs enthalten.

So schließen Sie das System an die Stromversorgung an

- ❖ Schließen Sie folgende Kabel an:
 - ▶ Gleichstromkabel
 - ▶ Systemnetzstromkabel

So verbinden Sie die Kabel mit der Kabelklemme

- ❖ Bringen Sie die Kabel in den entsprechenden Schlitzen der Kabelklemme an.

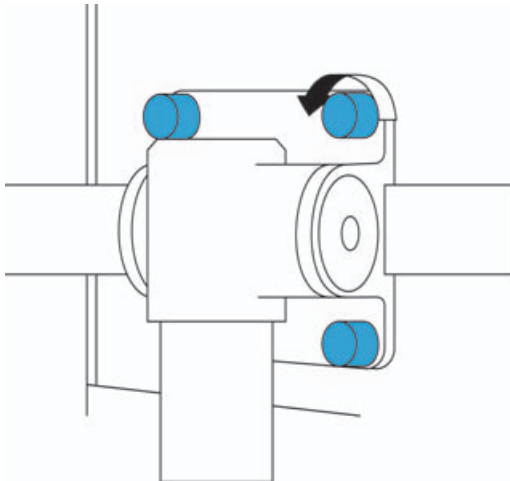


So entfernen Sie das Ultraschallsystem

WARNHINWEIS:

Um Verletzungen und Schäden am Ultraschallsystem zu vermeiden, müssen Sie beim Lösen und Entfernen des Ultraschallsystems vom Stativ sein gesamtes Gewicht stützen.

- 1 Stützen Sie das Ultraschallsystem um sicherzustellen, dass es beim Entfernen vom Stativ nicht herunterfällt.
- 2 Drehen Sie die Schrauben an allen vier Ecken der Montageplatte gegen den Uhrzeigersinn. Falls nötig, verwenden Sie einen Kreuzschlitzschraubendreher.



- 3 Entfernen Sie das System vom Stativ.

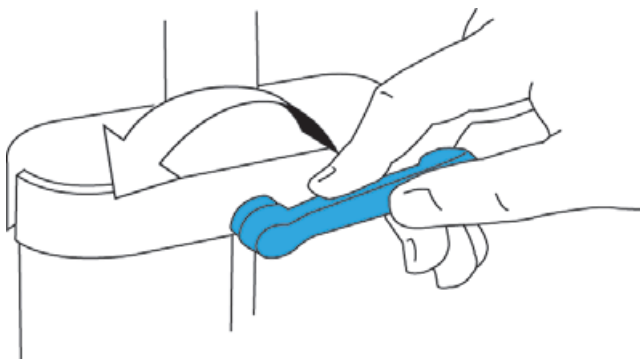
Das System lässt sich von den zwei Bolzen der Montageplatte abnehmen.

Anpassen der Höhe und des Winkels des Stativs

So heben Sie das Ultraschall-System an oder senken es ab

- 1 Arretieren Sie mindestens zwei Räder.
- 2 Stellen Sie sicher, dass sich über der Tragsäule keine Hindernisse befinden.
- 3 Lösen Sie den Hebel zur Höhenverstellung durch Drehen gegen den Uhrzeigersinn.

Der Schaft ist federbelastet und das System hebt sich automatisch von der Tragsäule, vorausgesetzt, es befindet sich nicht bereits in der maximalen Höheneinstellung.

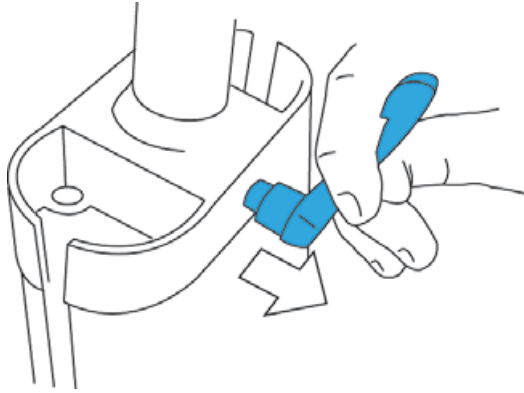


- 4 Heben bzw. senken Sie das System bis zur gewünschten Höhe und drehen Sie dann den Hebel im Uhrzeigersinn fest.

Vorsichtshinweis:

Halten Sie beim Absenken des Schafts nicht die Basis fest. Sie könnten sich sonst die Finger klemmen.

Wenn Sie den Hebel zur Höhenverstellung aufgrund eines Hindernisses nicht drehen können (wenn z. B. das Ultraschallsystem oder ein Zubehörteil im Weg ist), kann der Hebel anders positioniert werden, indem Sie den Hebel nach Außen ziehen, ihn in die gewünschte Position bringen und dann loslassen.



So passen Sie die Neigung des Systems an

- 1 Arretieren Sie mindestens zwei Räder.
- 2 Fassen Sie den Griff an der Vorderseite des Ultraschallsystems und neigen und drehen Sie das System in den gewünschten Winkel.

Verschieben und Arretieren des Stativs

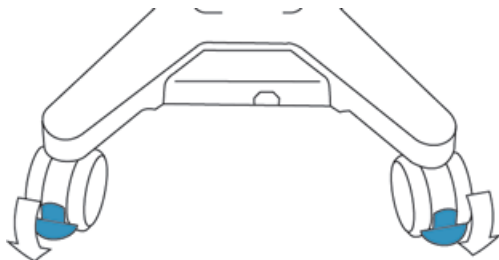
WARNHINWEISE:

Um Verletzungen und Schäden am Gerät durch Umkippen des Stativs zu vermeiden:

- ▶ Stellen Sie die Höhe des Systems auf die niedrigste Position ein, bevor Sie das Stativ verschieben.
- ▶ Bewegen Sie das Stativ durch Schieben an der Ablage. Ziehen bzw. schieben Sie nicht am Griff an der Vorderseite des SonoSite SII-Ultraschallsystems, um das Stativ zu verschieben.
- ▶ Wenden Sie keine übermäßige Kraft an, um das Stativ zu verschieben.

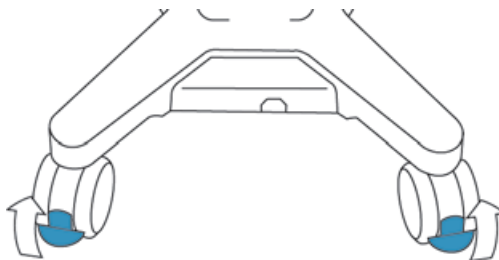
Arretieren des Stativs

- ❖ Drücken Sie den Arretierungshebel an jedem Rad nach unten.



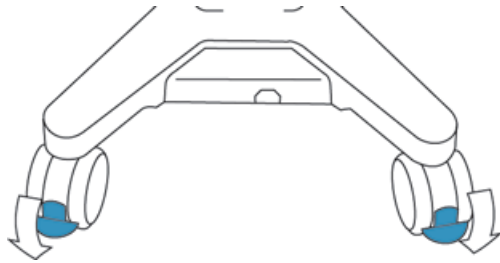
Verschieben des Stativs

- 1 Lösen Sie die Räder, indem Sie den Arretierungshebel an jedem Rad nach oben drücken.



- 2 Fassen Sie das Stativ fest an der Ablage und verschieben Sie es zur gewünschten Position.

- 3 Wenn sich das Stativ an der gewünschten Stelle befindet, arretieren Sie wenigstens zwei Räder durch Herunterdrücken der Arretierungshebel.



Fehlersuche

Problem	Lösung
Drucker druckt nicht.	<ul style="list-style-type: none">▶ Auf Seite Connectivity (PC-Anbindung) die Druckereinstellungen überprüfen. Weitere Informationen sind dem <i>SonoSite SII-Benutzerhandbuch</i> zu entnehmen.▶ Kabelverbindungen überprüfen. Weitere Informationen entnehmen Sie den <i>Montageanweisungen für das SonoSite SII-Stativ</i>.▶ Sicherstellen, dass der Drucker eingeschaltet und richtig eingestellt ist. Siehe ggf. die Anleitungen des Druckerherstellers.
Stativ kippt leichter um als erwartet.	<ul style="list-style-type: none">▶ Senken Sie zur Absenkung des Ultraschallsystems und der optionalen Kassette den Schaft ab.▶ Platzieren Sie keine schweren Gegenstände auf dem Stativ, und hängen Sie keine solchen daran. Zu viel Gewicht kann dazu führen, dass das Stativ an Stabilität verliert.

Reinigung und Desinfektion

WARNHINWEISE:

- ▶ Um einen elektrischen Schlag zu vermeiden, unterbrechen Sie vor der Reinigung immer die Verbindung des Systems zur Stromzufuhr.
- ▶ Um Verletzungen zu vermeiden, beim Reinigen oder Desinfizieren stets Schutzbrille und Handschuhe tragen.
- ▶ Um Infektionen zu vermeiden, ist darauf zu achten, dass das Verfallsdatum der Lösung nicht überschritten wurde.
- ▶ Um Infektionen zu vermeiden, muss der für ein Produkt erforderliche Desinfektionsgrad eingehalten werden. Dieser hängt von der Art des Gewebes ab, mit dem es beim Gebrauch in Berührung kommt. Stellen Sie sicher, dass die Konzentration der Lösung und die Einwirkungsdauer für das Gerät geeignet sind. Informationen hierzu sind den Gebrauchsanweisungen auf dem Etikett des Desinfektionsmittels und den Empfehlungen der „Association for Professionals in Infection Control and Epidemiology (APIC)“ (Verband der Fachleute auf dem Gebiet der Infektionskontrolle und Epidemiologie) und der FDA (amerikanische Verwaltungsbehörde für Nahrungs- und Arzneimittel) zu entnehmen.

Vorsichtshinweis:

Auf den Oberflächen nur empfohlene Reinigungs- und Desinfektionsmittel verwenden. Desinfektionsmittel, die ein Eintauchen erfordern, wurden nicht für die Verwendung auf Oberflächen getestet.

So reinigen und desinfizieren Sie das Stativ

Die äußere Oberfläche des Stativs kann mit Hilfe eines empfohlenen Reinigungs- oder Desinfektionsmittels gereinigt oder desinfiziert werden. Eine aktuelle Liste mit zugelassenen Produkten finden Sie unter www.sonosite.com.

- 1 Schalten Sie das Ultraschallsystem und jegliche Zusatzgeräte aus. Trennen Sie das System und die Zusatzgeräte vom Wechselstrom.

2 Reinigen Sie die Oberflächen des Stativs, um Schmutz und Körperflüssigkeiten zu entfernen. Das folgende Verfahren ist zu verwenden:

- a** Verwenden Sie entweder ein Feuchttuch oder ein weiches, mit Reinigungs- oder Desinfektionsmittel angefeuchtetes Tuch.

Zugelassene Reinigungs- und Desinfektionsmittel für das Stativ

Reinigungs-/Desinfektionsmittel	Mindest-Nass-Kontaktzeit ¹
SaniCloth AF3 (grauer Deckel) ²	3 Minuten
SaniCloth Plus (roter Deckel)	3 Minuten
PI-Spray II	20 Minuten

¹ Für maximale Wirksamkeit muss das zu reinigende Teil für einen Mindestzeitraum mit Desinfektionsmittel befeuchtet bleiben.

² Geeignet zur Verwendung als Desinfektionsmittel mittlerer Stärke für Mykobakterien. Eine umfangreichere Liste finden Sie im Reinigungs- und Desinfektionsmitteldokument auf www.sonosite.com.

- b** Entfernen Sie alle Reste von Gel, Schmutz und Körperflüssigkeiten vom Stativ.
 - c** Nehmen Sie ein neues Tuch und reinigen Sie alle Teile des Stativs, indem Sie von den sauberen Bereichen zu den verschmutzten Bereichen hin wischen. Dies hilft, eine Kreuzkontamination zu vermeiden.
 - d** Halten Sie die Mindesteinwirkzeit ein. Beobachten Sie, ob die Teile des Stativs noch feucht aussehen. Wischen Sie sie mit einem neuen Tuch ab, wenn sie nicht mehr feucht sind.
- 3** Lassen Sie das Stativ an einem sauberen gut belüfteten Ort an der Luft trocknen.

Informationen zur Reinigung der Peripheriegeräte sind den Anweisungen der jeweiligen Hersteller zu entnehmen.

Sicherheit

Für optimale Sicherheit sind vor dem Gebrauch von Zubehör und Peripheriegeräten mit dem SonoSite SII-Ultraschallsystem und den Schallköpfen die folgenden Warn- und Vorsichtshinweise zu beachten.

Elektrische Sicherheit

WARNHINWEISE:

So wird das Risiko von elektrischen Schlägen und möglichen Bränden vermieden:

- ▶ Das Stromkabel des SonoSite SII-Stativs nicht an eine tragbare Mehrfachsteckdose anschließen und kein Verlängerungskabel verwenden.
- ▶ Geräte nur bei ordnungsgemäßer Erdung verwenden. Wenn das Netzteil nicht ordnungsgemäß geerdet ist, besteht die Gefahr eines elektrischen Schlags. Die Zuverlässigkeit einer Erdung lässt sich nur dann sicherstellen, wenn das Gerät im Krankenhaus an eine entsprechende Wandsteckdose angeschlossen wird. Die Erdungsader darf nicht entfernt oder umgangen werden.
- ▶ Es darf nicht mehr als ein Peripheriegerät gleichzeitig angeschlossen werden.
- ▶ Die Wandsteckdose, Stecker, Kabel und Netzkabel regelmäßig auf Schäden prüfen.
- ▶ Ausschließlich von FUJIFILM SonoSite empfohlene Zubehörteile und Peripheriegeräte (einschließlich Netzteil) verwenden. Der Anschluss von nicht von FUJIFILM SonoSite empfohlenen Peripheriegeräten und Zubehörteilen kann zu einem elektrischen Schlag führen. Eine Liste der durch FUJIFILM SonoSite vertriebenen oder empfohlenen Peripheriegeräte und Zubehörteile ist bei FUJIFILM SonoSite oder Ihrem örtlichen Kundendienstvertreter erhältlich.

Gerätesicherheit

WARNHINWEIS:

Um ein Umkippen und die Gefahr von Verletzungen und Systemschäden zu vermeiden, nicht den Griff an der Vorderseite des Ultraschallsystems zum Verschieben des Stativs verwenden.

Vorsichtshinweise:

- ▶ Übermäßiges Biegen oder Verdrehen der Kabel kann zu einem Defekt oder zum zeitweiligen Aussetzen des Betriebs führen.
- ▶ Unsachgemäße Reinigung oder Desinfektion des Zubehörs bzw. der Peripheriegeräte kann permanenten Schaden verursachen. Anweisungen zur Reinigung und Desinfektion finden Sie unter „**Reinigung und Desinfektion**“ auf Seite 27 sowie in der Bedienungsanleitung des Herstellers.
- ▶ Verwenden Sie nur die von FUJIFILM SonoSite empfohlenen Peripheriegeräte.
- ▶ Freiliegende Metallteile an den Signalein- und -ausgängen auf der Rückseite und den Seiten des Ultraschallsystems sind nicht geerdet. Dieses Teil darf keinem Erdungswiderstandstest hoher Stromstärke unterzogen werden.

Klinische Sicherheit











WARNHINWEIS:





Um Fehldiagnosen zu vermeiden, keine nicht für medizinische Geräte zugelassenen (handelsüblichen) peripheren Monitore verwenden. Diese Monitore wurden von FUJIFILM SonoSite weder geprüft noch für Diagnosezwecke freigegeben.

Elektromagnetische Verträglichkeit (EMV)

Informationen zur elektromagnetischen Verträglichkeit gemäß IEC 60601-1-2, einschließlich der Herstellererklärung, sind den Hinweisen zur Sicherheit im Benutzerhandbuch für das Ultraschallsystem und den ergänzenden Handbüchern zu entnehmen.

Kennzeichnungssymbole

Symbol	Definition
	Geräte der Klasse 1, die Prüfung durch eine benannte Stelle für die Sterilisierung von Messfunktionen erfordern; oder auf Geräten der Klasse IIa, IIb oder III, die Prüfung oder Audit durch die benannte Stelle für zutreffende Anhänge von 93/42/EWG erfordern.
	Wellpappe dem Recycling zuführen.
	Gefährliche Spannung
	Herstellungsdatum
	Gleichstrom
	Vor Feuchtigkeit schützen.
	Nicht mehr als 2 übereinanderstapeln.
	Nicht mehr als 5 übereinanderstapeln.
	Nicht mehr als 10 übereinanderstapeln.
	Zerbrechlich

Symbol	Definition
	Papier dem Recycling zuführen.
	Um ein Umkippen zu vermeiden, ziehen bzw. schieben Sie nicht am Griff an der Vorderseite des SonoSite SII-Ultraschallsystems, um das System zu verschieben.
	Schieben Sie das Stativ an der Ablage, um das System fortzubewegen.
	Maximale Gewichtsbelastung
<p>WARNING: Connect Only Accessories and Peripherals Recommended by FUJIFILM SonoSite</p>	<p>WARNHINWEIS: Schließen Sie nur Zubehör und Peripheriegeräte an, die von FUJIFILM SonoSite empfohlen werden.</p>

Technische Daten

Informationen zu den Peripheriegeräten sind den technischen Daten der jeweiligen Hersteller zu entnehmen.

Stativabmessungen

- ▶ Breite: 51 cm
- ▶ Länge: 59 cm
- ▶ Höhe: max. 138,5 cm max., min. 108 cm
- ▶ Höhenverstellung: 30,5 cm
- ▶ Sichere Arbeitslast pro Behälter: 5 kg

- ▶ Gewicht:
 - ▶ 16,8 kg
 - ▶ 45 kg maximales Gesamtgewicht mit System und Zubehör.

Grenzwerte für Temperatur und Luftfeuchtigkeit

Betrieb: 10 bis 40 °C, 15 bis 95 % relative Luftfeuchtigkeit

Versand/Lagerung: -35 bis 65 °C, 15 bis 95 % relative Luftfeuchtigkeit

Peripheriegeräte

- ▶ Drucker

Anweisungen zur Installation und Einrichtung des Druckers finden Sie in den *Anweisungen zur Druckerinstallation*. Wenden Sie sich unter der Telefonnummer +1-800-686-7669 oder über www.sony.com/professional an Sony, um Druckerpapier zu bestellen oder den Namen und die Telefonnummer Ihres lokalen Vertriebshändlers zu erfahren.

- ▶ Aufbewahrungsbehälter
- ▶ Netzkabelhalter
- ▶ Gelflaschenhalter
- ▶ Baugruppe aus Ablage und Schubfach
- ▶ Kabelklemme

Manual para el usuario de la base SonoSite SII

Contenido

Introducción	35
Convenciones	36
Asistencia técnica y comentarios	36
Características de la base	37
Conexión y desconexión del sistema de ecografía	38
Ajuste de la altura y el ángulo de la base	41
Desplazamiento y bloqueo de la base	43
Solución de problemas	44
Limpieza y desinfección	45
Seguridad	47
Seguridad eléctrica	47
Seguridad del equipo	47
Seguridad clínica	48
Compatibilidad electromagnética (CEM)	48
Especificaciones	50
Dimensiones de la base	50
Límites de temperatura y humedad	51
Periféricos	51

Introducción

El *manual para el usuario de la base SonoSite SII* explica cómo se utiliza la base SonoSite SII y sus periféricos. Para obtener información acerca de un periférico, consulte las instrucciones de funcionamiento del fabricante que se suministran con el producto. Para obtener información acerca los transductores, consulte el *manual para el usuario del sistema de ecografía SonoSite SII*.

Si necesita desmontar la base, consulte las *instrucciones de montaje de la base SonoSite SII*, incluidas con la base y disponibles en www.sonosite.com.

ADVERTENCIA:

Para evitar lesiones al paciente, diagnósticos incorrectos o lesiones al propio usuario, lea todas las advertencias del manual para el usuario del sistema de ecografía y las guías suplementarias.

Convenciones

El manual para el usuario sigue estas convenciones:

- ▶ Los mensajes de **ADVERTENCIA** describen las precauciones necesarias para evitar lesiones o situaciones que entrañen peligro de muerte.
- ▶ Los mensajes de **Precaución** describen las precauciones necesarias para proteger los productos.
- ▶ Una **Nota** proporciona información adicional.
- ▶ Los pasos que aparecen numerados en las intervenciones deben ejecutarse en orden.
- ▶ Los elementos de las listas con viñetas no necesitan una secuencia.
- ▶ Las intervenciones de un solo paso empiezan por ❖.

Los símbolos y términos utilizados en el sistema se explican en el Manual para el usuario del sistema de ecografía.

Asistencia técnica y comentarios

Nos complace recibir sus preguntas y comentarios. A FUJIFILM SonoSite le interesa conocer sus comentarios sobre el sistema y el manual para el usuario. Desde Estados Unidos, llame a FUJIFILM SonoSite al teléfono +1-888-482-9449. Fuera de Estados Unidos, llame al representante de FUJIFILM SonoSite más cercano.

Para obtener asistencia técnica, póngase en contacto con FUJIFILM SonoSite por los siguientes medios:

FUJIFILM SonoSite Asistencia técnica

Teléfono (EE. UU. o Canadá)	+1-877-657-8118
Teléfono (fuera de EE. UU. o Canadá)	+1-425-951-1330 o bien llame a su representante local
Fax	+1-425-951-6700
Correo electrónico	service@sonosite.com
Web	www.sonosite.com
Centro de servicio al cliente en Europa	Principal: +31 20 751 2020 Asistencia técnica en inglés: +44 14 6234 1151 Asistencia técnica en francés: +33 1 8288 0702 Asistencia técnica en alemán: +49 69 8088 4030 Asistencia técnica en italiano: +39 02 9475 3655 Asistencia técnica en español: +34 91 123 8451
Centro de servicio al cliente en Asia	+65 6380-5581

Características de la base

La base proporciona una plataforma de trabajo móvil y un espacio para el almacenamiento de transductores y otros materiales. También proporciona conexiones para accesorios y periféricos.

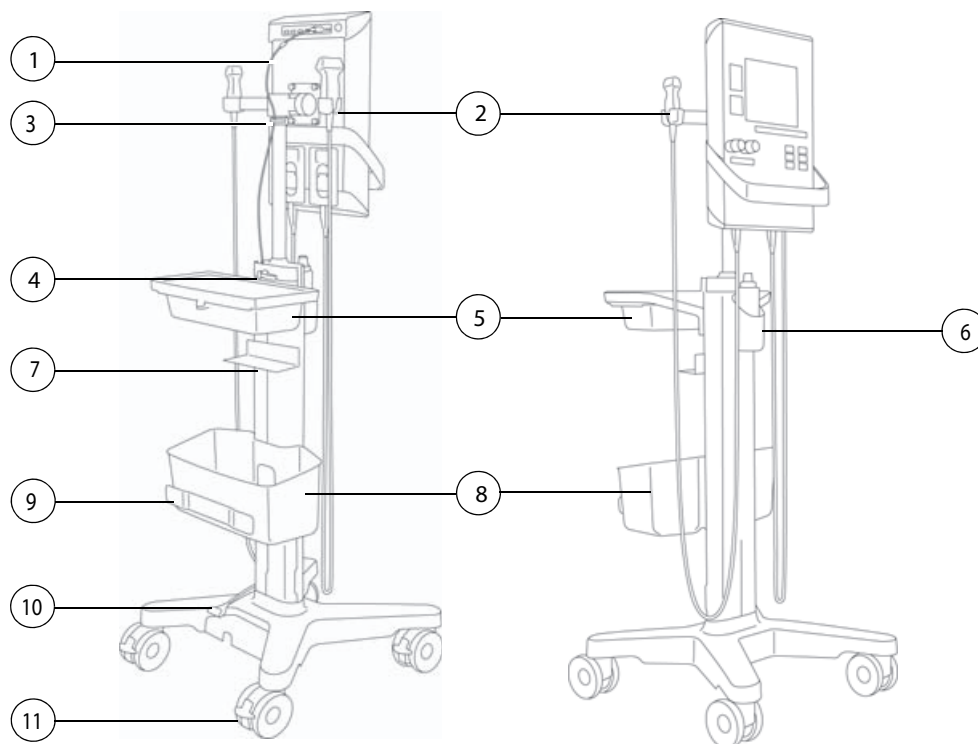


Figura 1 Base SonoSite SII: Vistas posterior y delantera (mostradas con el sistema de ecografía instalado)

1	Cable de alimentación de CC	7	Estante para la impresora (opcional)
2	Soporte de transductor	8	Recipiente de almacenamiento*
3	Soporte para cableado	9	Soporte para enrollar cables
4	Palanca de ajuste de la altura	10	Fijación para cable de CA (opcional)
5	Bandeja y cajón	11	Palanca de bloqueo de las ruedas
6	Soporte para frasco de gel		

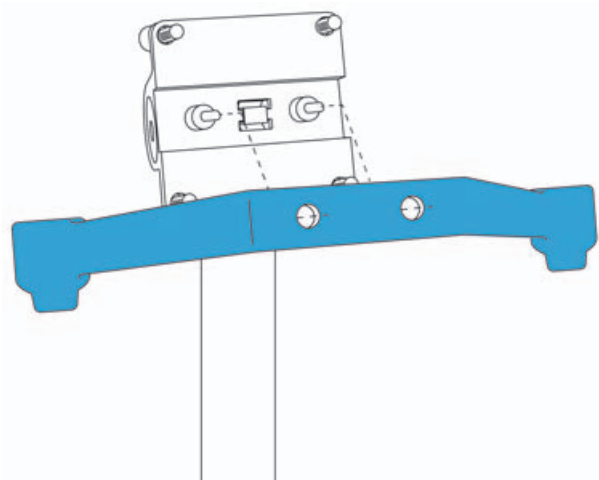
* Hay un segundo recipiente de almacenamiento opcional disponible a la venta.

Conexión y desconexión del sistema de ecografía

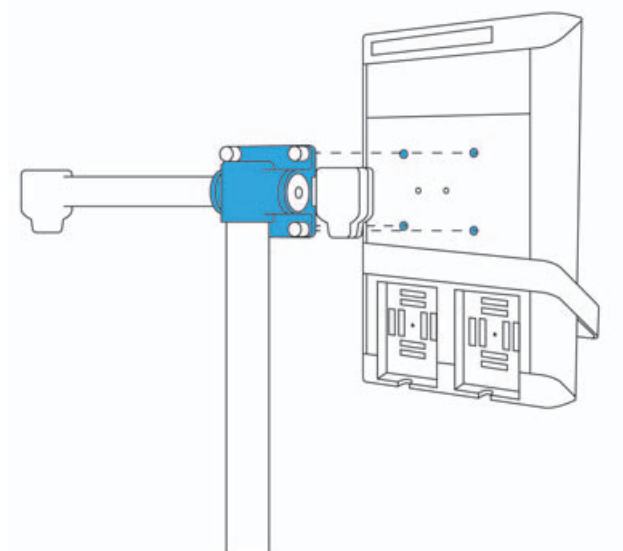
Asegúrese de sostener bien siempre el sistema de ecografía cuando lo conecte y desconecte de la base.

Para conectar el sistema de ecografía

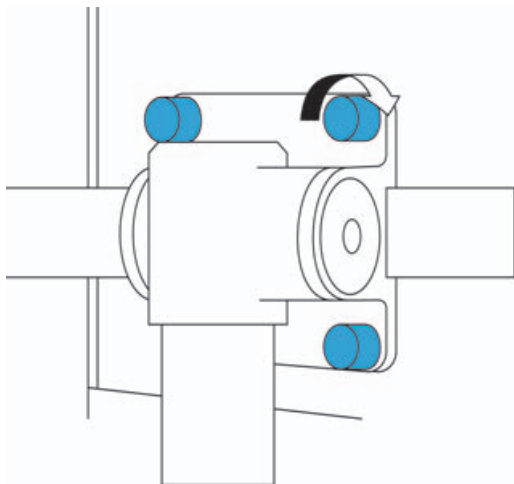
- 1 Coloque el soporte de transductor sobre la placa de montaje.



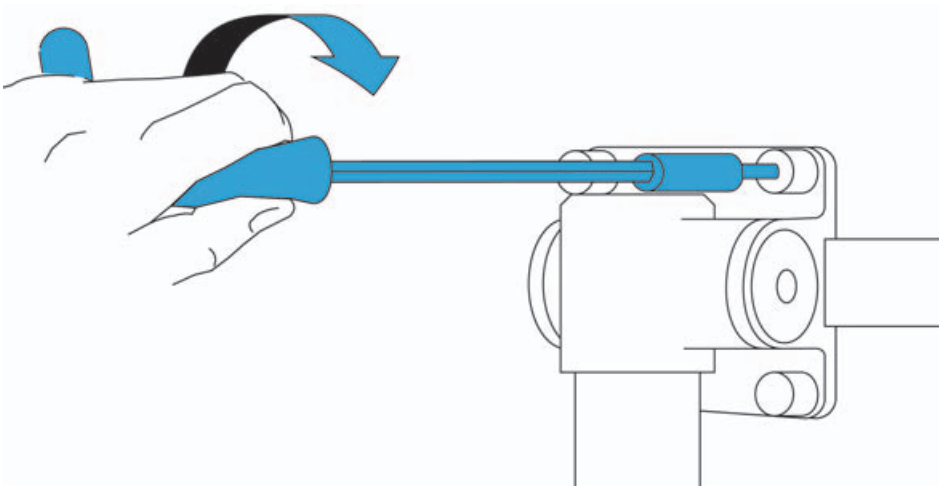
- 2 Coloque la parte posterior del sistema sobre la placa de montaje.



- 3 Gire los cuatro tornillos de fijación cautivos a mano para introducirlos dentro de los orificios situados en la parte posterior del sistema hasta que este quede bien fijado en su sitio.



- 4 Apriete los tornillos de fijación con un destornillador Phillips.



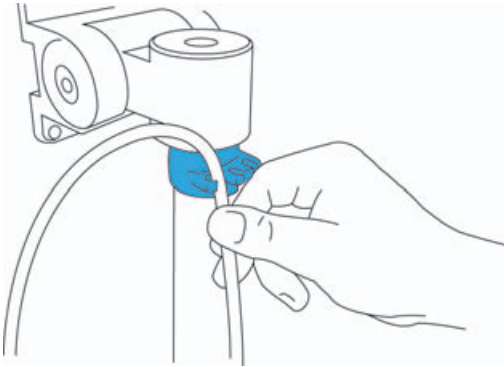
Se incluye un controlador y un accesorio para el destornillador Phillips con la base.

Para conectar la alimentación de CA

- ❖ Conecte los cables siguientes:
 - ▶ Cable de alimentación de CC
 - ▶ Cable de alimentación en CA del sistema

Para conectar los cables al soporte para cableado

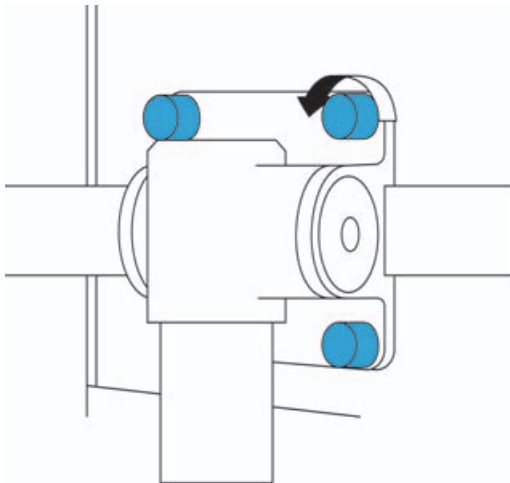
- ❖ Conecte los cables a los orificios correspondientes del soporte para cableado.



Para desconectar el sistema de ecografía

ADVERTENCIA: Para evitar lesiones personales o daños al sistema de ecografía, sostenga bien siempre el sistema de ecografía mientras lo afloja y desconecta de la base.

- 1 Sostenga el sistema de ecografía para que no se caiga mientras lo afloja.
- 2 Gire hacia la izquierda los tornillos situados en cada una de las cuatro esquinas de la placa de montaje. Si es necesario, utilice un destornillador Phillips.



- 3 Desconecte el sistema de la base.

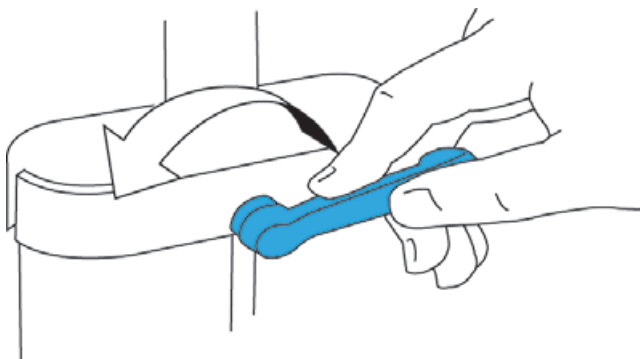
El sistema se separará de las dos clavijas de la placa de montaje.

Ajuste de la altura y el ángulo de la base

Para subir o bajar el sistema de ecografía

- 1 Bloquee dos o más ruedas.
- 2 Asegúrese de que la zona situada encima de la columna esté vacía.
- 3 Gire la palanca de ajuste de la altura hacia la izquierda para aflojarla.

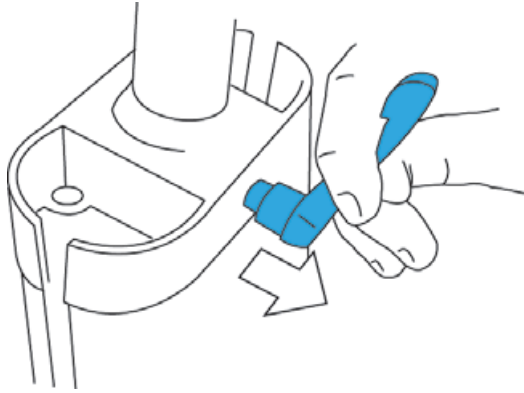
El poste lleva un muelle y el sistema se levantará de la columna de manera automática, a menos que ya esté situado en su altura máxima.



- 4 Levante o baje el sistema hasta alcanzar la altura deseada y, a continuación, gire la palanca de ajuste de la altura hacia la derecha para ajustarla.

Precaución: Cuando baje el poste, evite agarrar su base, dado que su piel podría quedar atrapada o pellizcada en el hueco.

Si no puede girar la palanca de ajuste de la altura debido a una obstrucción (por ejemplo, el sistema de ecografía o un accesorio se han atascado), vuelva a colocar la palanca tirando de ella hacia fuera hasta que alcance la posición deseada y, a continuación, suéltela.



Para ajustar el ángulo del sistema

- 1 Bloquee dos o más ruedas.
- 2 Sujete la manivela situada en la parte delantera del sistema de ecografía y, a continuación, levante y gire el sistema hasta que alcance el ángulo deseado.

Desplazamiento y bloqueo de la base

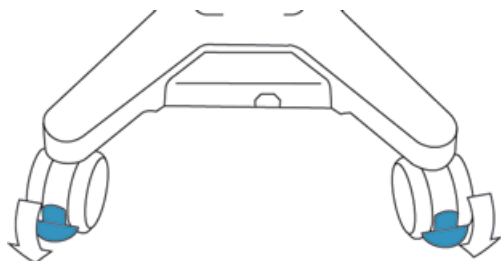
ADVERTENCIAS:

Para evitar lesiones personales o daños en el equipo a causa de una caída de la base:

- ▶ Ajuste la altura del sistema hasta su ajuste más bajo posible en la base antes de desplazarla.
- ▶ Para mover la base, empuje la bandeja. No empuje ni tire de la base por la manivela situada en la parte delantera del sistema de ecografía SonoSite SII.
- ▶ No aplique una fuerza excesiva al desplazar la base.

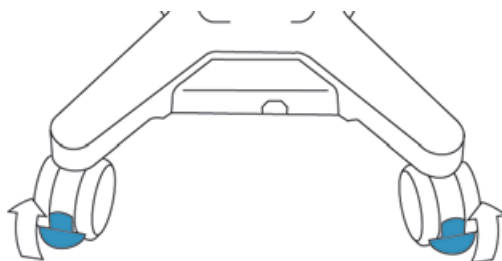
Para bloquear la base

- ❖ Empuje hacia abajo la palanca de bloqueo de cada rueda.



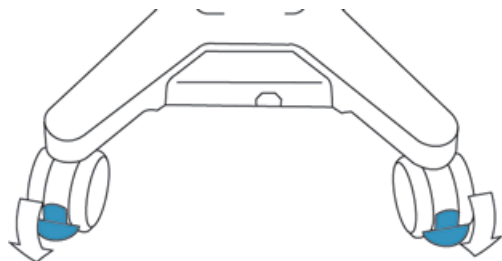
Para desplazar la base

- 1 Desbloquee cada rueda tirando hacia arriba de la palanca de bloqueo.



- 2 Sujete con firmeza la base por la bandeja y desplace la base hasta la nueva ubicación.

- 3 Cuando haya terminado de desplazar la base, bloquee al menos dos de las ruedas empujando hacia abajo la palanca de bloqueo.



Solución de problemas

Problema	Solución
La impresora no funciona.	<ul style="list-style-type: none">▶ Compruebe la impresora seleccionada en la página de configuración Connectivity (Conectividad). Si desea obtener más información, consulte el <i>manual para el usuario de SonoSite SII</i>.▶ Compruebe las conexiones de los cables. Si desea obtener más información, consulte las <i>instrucciones de montaje de la base SonoSite SII</i>.▶ Verifique si la impresora está encendida y configurada correctamente. Si es necesario, consulte las instrucciones del fabricante de la impresora.
La base se vuelca con mayor facilidad de lo esperado.	<ul style="list-style-type: none">▶ Baje el poste para bajar el sistema de ecografía y la bandeja opcional.▶ Evite colocar o colgar objetos pesados sobre el soporte. Un peso excesivo puede ocasionar que el soporte se vuelva menos estable.

Limpieza y desinfección

ADVERTENCIAS:

- ▶ Para evitar descargas eléctricas, desconecte siempre el sistema de su fuente de alimentación antes de limpiarlo.
- ▶ Para evitar lesiones, utilice siempre gafas y guantes de protección durante la limpieza y desinfección.
- ▶ Para evitar infecciones, asegúrese de que la fecha de caducidad de la solución no haya vencido.
- ▶ Para evitar infecciones, el nivel de desinfección requerido para un producto debe determinarse según el tipo de tejido con el que entre en contacto durante su utilización. Asegúrese de que la concentración de la solución y el tiempo de contacto sean los apropiados para el equipo. Para obtener información, consulte las instrucciones de la etiqueta del desinfectante y las recomendaciones de la Association for Professionals in Infection Control and Epidemiology (APIC, Asociación de profesionales de epidemiología y control de infecciones) y la FDA.

Precaución:

Utilice solo limpiadores o desinfectantes recomendados para tratar las superficies del sistema. No se ha determinado el efecto de desinfectantes de inmersión en dichas superficies.

Para limpiar y desinfectar la base

Puede limpiar y desinfectar la superficie exterior de la base utilizando una solución de limpieza o un desinfectante recomendado. Puede consultar la lista más reciente de productos aprobados en www.sonosite.com.

- 1 Apague el sistema de ecografía y cualquier equipo accesorio. Desconecte el sistema y el equipo accesorio de la fuente de alimentación de CA.

- 2** Limpie las superficies de la base para eliminar los residuos o líquidos corporales. Siga este procedimiento:
- a** Utilice una toallita previamente humedecida o un paño suave humedecido con limpiador o desinfectante.

Limpiadores y desinfectantes aprobados para la base

Limpiador/desinfectante	Tiempo de contacto mínimo con la humedad ¹
SaniCloth AF3 (tapón gris) ²	3 minutos
SaniCloth Plus (tapón rojo)	3 minutos
PI-Spray II	20 minutos

¹ Para conseguir una eficacia máxima, el componente que se esté limpiando debe permanecer mojado durante un período de tiempo mínimo.

² Apto para uso como desinfectante de nivel intermedio para micobacterias. Para ver una lista más completa, consulte el documento de limpiadores y desinfección que hay disponible en www.sonosite.com.

- b** Retire todos los restos de gel, residuos y líquidos corporales de la base.
 - c** Use una toallita nueva para limpiar todas las piezas de la base frotando desde las zonas limpias hasta las zonas sucias. Este método ayuda a evitar que se produzca una contaminación cruzada.
 - d** Respete el tiempo de contacto mínimo con la humedad. Supervise las piezas de la base para comprobar que tengan un aspecto mojado. Si se seca, vuelva aplicar una nueva toallita.
- 3** Deje que la base se seque en un espacio limpio y bien ventilado.

Para obtener más información acerca de la limpieza de los periféricos, consulte las instrucciones del fabricante.

Seguridad

Para elevar al máximo la seguridad, respete los siguientes avisos de advertencia y precaución antes de utilizar los accesorios y periféricos con el sistema de ecografía SonoSite SII y los transductores.

Seguridad eléctrica

ADVERTENCIAS:

Para evitar el riesgo de descargas eléctricas y posibles incendios:

- ▶ No conecte el cable de alimentación de la base SonoSite SII a un zócalo de múltiples tomas de corriente portátil ni utilice un cable de extensión.
- ▶ Utilice solamente equipos que tengan una toma de tierra adecuada. Existe peligro de descarga si la fuente de alimentación no tiene una conexión a tierra adecuada. La fiabilidad de las tomas de tierra solo se puede lograr cuando el equipo esté conectado a una toma marcada como "Sólo hospital", "Calidad hospitalaria", o equivalente. El cable de tierra no se debe retirar ni desviar.
- ▶ No conecte más de un periférico a la vez.
- ▶ Inspeccione la fuente de alimentación, los enchufes, los cables y los cables de alimentación con regularidad para comprobar si están dañados.
- ▶ Utilice solamente los accesorios y periféricos recomendados por FUJIFILM SonoSite, incluida la fuente de alimentación. La conexión de accesorios y periféricos no recomendados por FUJIFILM SonoSite puede ocasionar una descarga eléctrica. Póngase en contacto con FUJIFILM SonoSite o con un representante local para obtener una lista de accesorios y periféricos disponibles o recomendados por FUJIFILM SonoSite.

Seguridad del equipo

ADVERTENCIA:

Para evitar que se vuelque el sistema, daños en el mismo o lesiones personales, no mueva la base con la manivela situada en la parte delantera del sistema de ecografía.

Precauciones:

- ▶ Doblar o retorcer los cables en exceso puede provocar un fallo o un funcionamiento intermitente.
- ▶ La limpieza o desinfección incorrectas de cualquier parte de los accesorios y periféricos puede causar daños permanentes. Puede consultar las instrucciones de limpieza y desinfección en “**Limpieza y desinfección**” en la página 45 y en las instrucciones del fabricante.
- ▶ Use solo periféricos recomendados por FUJIFILM SonoSite.
- ▶ El metal accesible en las entradas y salidas de señal en la parte trasera y lateral del sistema de ecografía no está protegido con toma de tierra. No realice pruebas de impedancia con toma a tierra de alta corriente en las que se utilice dicha parte.

Seguridad clínica











ADVERTENCIA:





Para evitar diagnósticos incorrectos, no use monitores periféricos de calidad no médica (comerciales). FUJIFILM SonoSite no ha verificado ni validado como adecuados para diagnóstico los monitores de este tipo.

Compatibilidad electromagnética (CEM)

En la sección sobre seguridad del manual para el usuario del sistema de ecografía y las guías suplementarias puede consultar información acerca de la compatibilidad electromagnética con IEC 60601-1-2, incluida la declaración del fabricante.

Símbolos del etiquetado

Símbolo	Definición
	Dispositivo de Clase 1 que requiere verificación por parte del organismo notificado de la esterilización o de las características de medición, o dispositivo de Clase IIa, IIb o III que requiere verificación o auditoría por parte del organismo notificado respecto a los anexos aplicables de la directiva 93/42/CEE.
	Reciclaje de cartón corrugado
	Tensión peligrosa
	Fecha de fabricación
	Corriente continua (CC)
	Proteger contra la humedad.
	No apilar más de 2 unidades una encima de la otra.
	No apilar más de 5 unidades una encima de la otra.
	No apilar más de 10 unidades una encima de la otra.
	Frágil

Símbolo	Definición
	Reciclaje del papel
	Para evitar que se vuelque el sistema, no lo mueva con la manivela situada en la parte delantera del sistema de ecografía SonoSite SII.
	Cuando mueva el sistema, empuje la base usando la bandeja.
	Carga máxima de peso
<p>WARNING: Connect Only Accessories and Peripherals Recommended by FUJIFILM SonoSite</p>	<p>ADVERTENCIA: Conectar únicamente accesorios y periféricos Recomendado por FUJIFILM SonoSite</p>

Especificaciones

Para obtener más información acerca de los periféricos, consulte las especificaciones del fabricante.

Dimensiones de la base

- ▶ Anchura: 51 cm
- ▶ Longitud: 59 cm
- ▶ Altura: 138,5 cm máx., 108 cm mín.
- ▶ Intervalo de altura: 30,5 cm
- ▶ Carga segura de trabajo por recipiente: 5 kg

- ▶ Peso:
 - ▶ 16,8 kg
 - ▶ 45 kg de peso total máximo con el sistema y los accesorios.

Límites de temperatura y humedad

En funcionamiento: 10-40 °C; humedad relativa 15-95 %

Almacenamiento y envío: -35-65 °C; humedad relativa 15-95 %

Periféricos

▶ Impresora

Para conocer las instrucciones de instalación y configuración de la impresora, consulte las *instrucciones de instalación de la impresora*. Para realizar pedidos de papel de impresión, póngase en contacto con Sony llamando al +1-800-686-7669 o visite la página www.sony.com/professional para realizar pedidos de papel o buscar un distribuidor local.

- ▶ Recipiente de almacenamiento
- ▶ Fijación para cable de CA
- ▶ Soporte para frasco de gel
- ▶ Conjunto de bandeja y cajón
- ▶ Soporte para cableado

Guide d'utilisation de la station SonoSite SII

Sommaire

Introduction	53
Conventions	54
Assistance à la clientèle et commentaires	54
Fonctionnalités de la station	55
Retrait et fixation de l'échographe	56
Réglage de la hauteur et de l'inclinaison de la station	59
Déplacement et blocage de la station	61
Dépannage	62
Nettoyage et désinfection	63
Sécurité	65
Sécurité électrique	65
Sécurité du matériel	65
Sécurité clinique	66
Compatibilité électromagnétique (CEM)	66
Spécifications	68
Dimensions de la station	68
Limites de température et d'humidité	69
Périphériques	69

Introduction

Le *Guide d'utilisation de la station SonoSite SII* explique l'utilisation de la station SonoSite SII et de ses périphériques. Pour plus d'informations sur les périphériques, consulter le mode d'emploi de ce produit. Pour plus d'informations sur les sondes, consulter le *Guide d'utilisation de l'échographe SonoSite SII*.

Pour désassembler la station, se reporter aux *Instructions d'assemblage de la station SonoSite SII*, fournies avec la station et sur le site www.sonosite.com.

AVERTISSEMENT :

Pour éviter tout risque de blessure du patient ou de l'opérateur et toute erreur de diagnostic, lire l'ensemble des avertissements présentés dans le guide d'utilisation de l'échographe et les guides complémentaires.

Conventions

Le guide d'utilisation emploie les conventions suivantes :

- ▶ Un **AVERTISSEMENT** décrit les précautions qu'il convient de prendre pour éviter tout risque de blessure ou de décès.
- ▶ Une **Mise en garde** décrit les précautions qu'il convient de prendre pour protéger les produits contre tout dommage.
- ▶ Une **Remarque** fournit des informations complémentaires.
- ▶ Les étapes numérotées d'une procédure doivent être exécutées dans l'ordre.
- ▶ Les informations présentées dans les listes à puces n'impliquent aucun ordre d'exécution particulier.
- ▶ Les procédures comportant une seule étape commencent par ❖.

Les symboles et termes utilisés sur l'échographe sont expliqués dans son guide d'utilisation.

Assistance à la clientèle et commentaires

Tous les commentaires et questions sont les bienvenus. FUJIFILM SonoSite porte un intérêt particulier aux remarques des utilisateurs concernant l'échographe et le guide d'utilisation. Aux États-Unis, appeler FUJIFILM SonoSite au +1-888-482-9449. En dehors des États-Unis, appelez le représentant FUJIFILM SonoSite le plus proche.

Pour toute assistance technique, contacter FUJIFILM SonoSite :

FUJIFILM SonoSite Support technique

Téléphone (États-Unis et Canada)	+1-877-657-8118
Téléphone (hors États-Unis et Canada)	+1-425-951-1330 ou appeler votre représentant local
Fax	+1-425-951-6700
E-mail	service@sonosite.com
Site Web	www.sonosite.com
Centre de réparation en Europe	Ligne principale : +31207512020 Support en anglais : +441462341151 Support en français : +33182880702 Support en allemand : +496980884030 Support en italien : +390294753655 Support en espagnol : +34911238451
Centre de réparation en Asie	+656380-5581

Fonctionnalités de la station

La station est une plateforme de travail mobile et un espace de rangement pour les sondes et autres fournitures. Elle permet également la connexion d'accessoires et de périphériques.

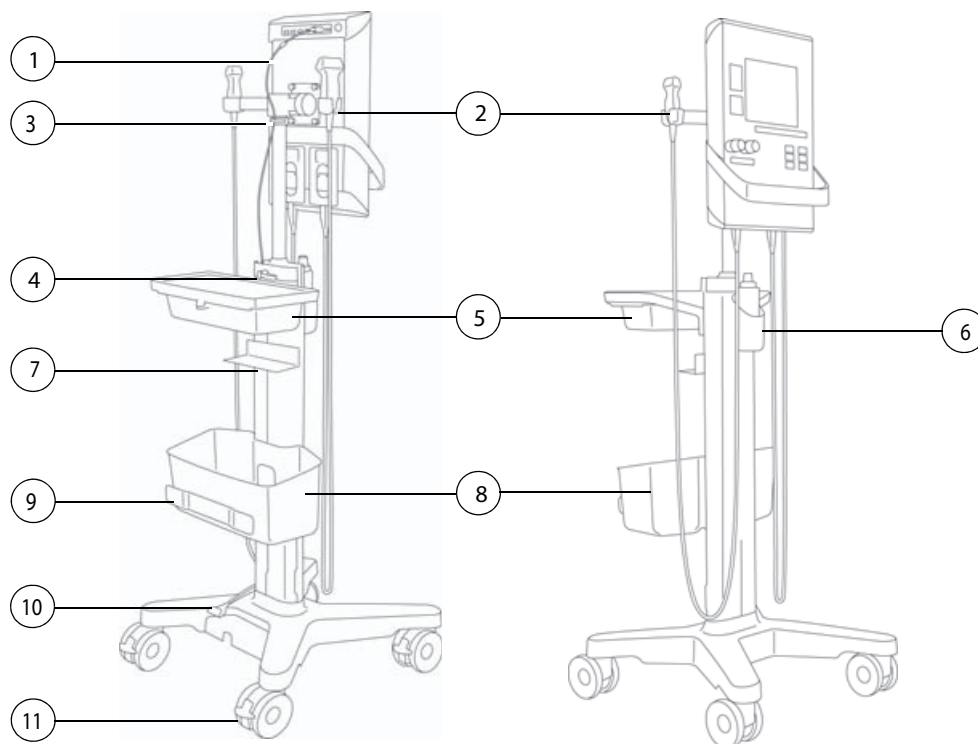


Figure 1 Station SonoSite SII : vues face arrière et face avant (présentées avec l'échographe)

1	Cordon d'alimentation CC	7	Étagère pour imprimante (en option)
2	Porte-sonde	8	Corbeille de rangement*
3	Support de maintien du câble électrique	9	Support d'enroulement du cordon d'alimentation
4	Levier de réglage de la hauteur	10	Dispositif de retenue du cordon d'alimentation (en option)
5	Plateau et tiroir	11	Levier de blocage des roues
6	Support pour flacon de gel		

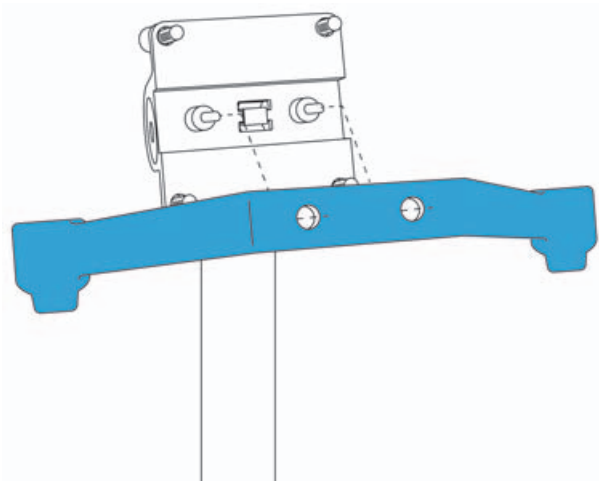
* Une deuxième corbeille de rangement est disponible en option.

Retrait et fixation de l'échographe

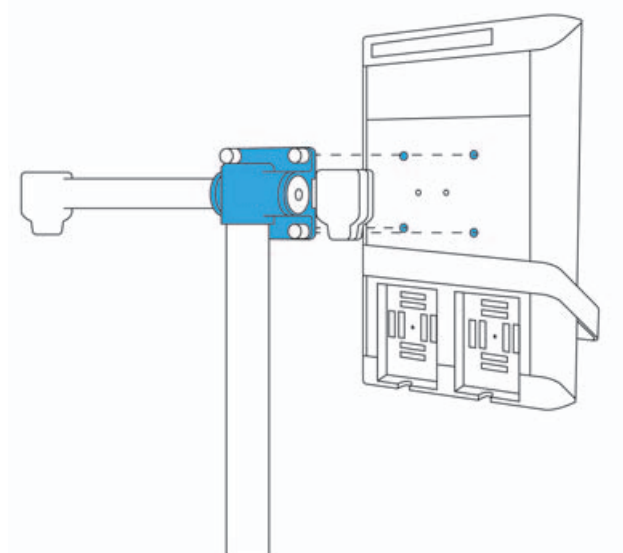
Veiller à toujours soutenir l'échographe pendant sa fixation ou son retrait de la station.

Pour fixer l'échographe

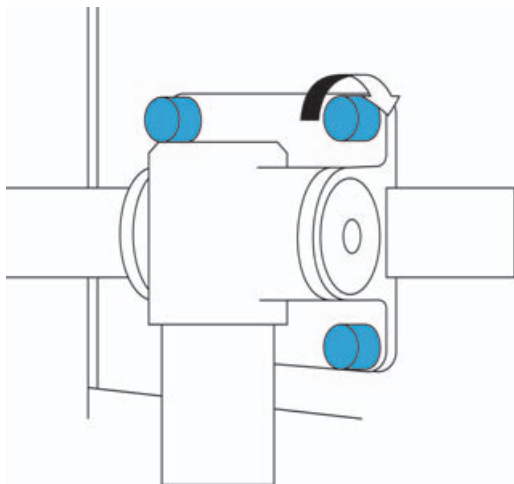
- 1 Placer le support de l'échographe sur la plaque de fixation.



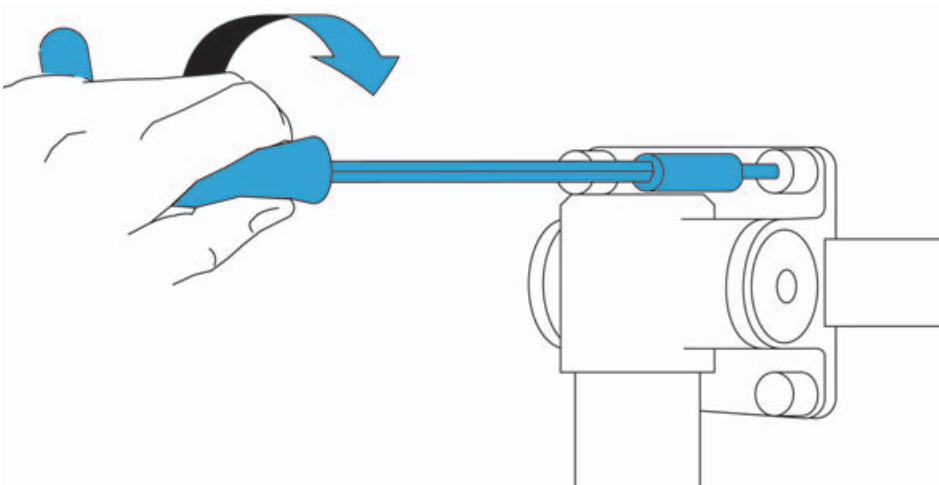
- 2 Positionner la face arrière de l'échographe contre la plaque de fixation.



- 3 Insérer manuellement les quatre vis imperdables dans les trous situés à l'arrière de l'échographe, en les vissant dans le sens horaire jusqu'à ce que l'appareil soit solidement bloqué en position.



- 4 Serrez les fixations à l'aide d'un tournevis cruciforme.



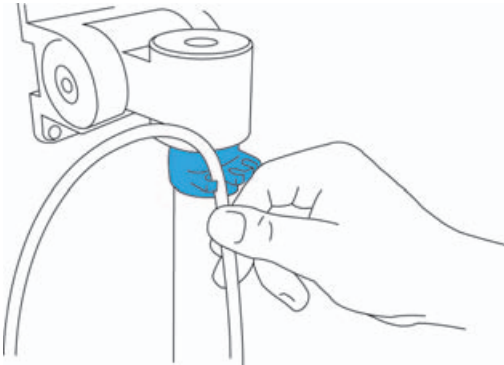
Le tournevis et l'insert cruciforme sont fournis avec le pied.

Pour raccorder l'alimentation secteur

- ❖ Brancher les cordons suivants :
 - ▶ Cordon d'alimentation CC
 - ▶ Cordon d'alimentation secteur de l'échographe

Pour attacher les cordons au support de maintien

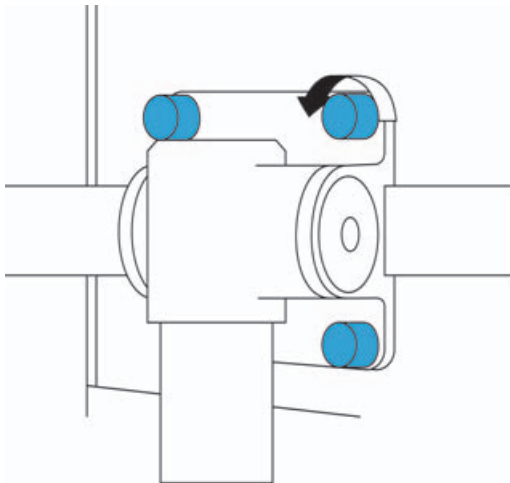
- ❖ Faire passer les cordons électriques dans les emplacements correspondants sur le support de maintien.



Pour retirer l'échographe

AVERTISSEMENT : Pour éviter tout risque de blessure et tout endommagement de l'échographe, soutenir l'échographe pendant sa fixation ou son retrait de la station.

- 1 Soutenir l'échographe de manière à ce qu'il ne tombe pas une fois les vis desserrées.
- 2 Dévisser les vis (sens antihoraire) aux quatre coins de la plaque de fixation. Si nécessaire, utiliser un tournevis cruciforme.



- 3 Retirer l'échographe de la station.

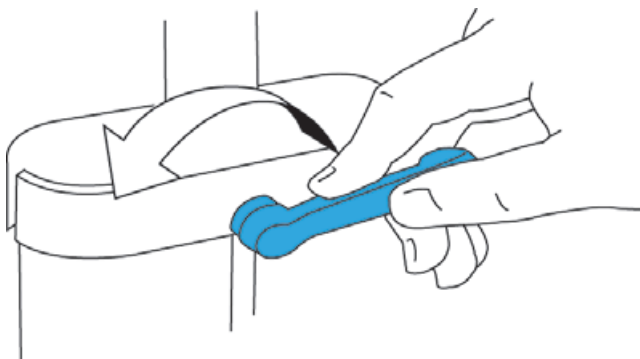
L'échographe peut être retiré des deux chevilles de la plaque de fixation.

Réglage de la hauteur et de l'inclinaison de la station

Pour élever ou abaisser l'échographe

- 1 Bloquer au moins deux roues.
- 2 Vérifier que la zone au-dessus de la colonne est libre de tout obstacle.
- 3 Desserrer le levier de réglage de la hauteur en le tournant dans le sens antihoraire.

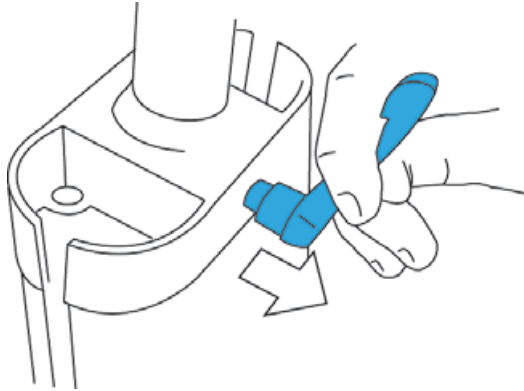
Le vérin est équipé d'un ressort de rappel et l'échographe va automatiquement monter le long de la colonne, à moins qu'il ne soit déjà dans sa position la plus haute.



- 4 Lever ou abaisser l'échographe jusqu'à la hauteur souhaitée puis serrer le levier de réglage de la hauteur en le tournant dans le sens horaire.

Mise en garde : Lors de l'abaissement du vérin, éviter de tenir la base de celui-ci. Vous risqueriez de vous faire pincer.

S'il est impossible de tourner le levier de réglage de la hauteur du fait de la présence d'un obstacle (par exemple, l'échographe ou un accessoire se trouve dans le passage), alors il est possible de repositionner le levier en le tirant, en le plaçant dans la position souhaitée puis en le relâchant.



Pour régler l'angle du système

- 1 Bloquer au moins deux roues.
- 2 Saisir la poignée située à l'avant de l'échographe puis incliner et tourner l'appareil selon l'angle désiré.

Déplacement et blocage de la station

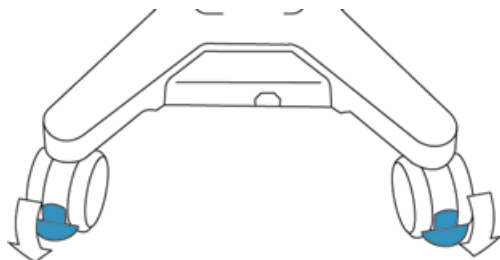
AVERTISSEMENTS:

Pour éviter tout risque de blessure ou d'endommagement du matériel pouvant résulter du basculement de la station :

- ▶ Régler la hauteur du système au plus bas sur la station avant de la déplacer.
- ▶ Déplacer la station en la poussant par le plateau. Ne pas pousser ou tirer la station à l'aide de la poignée située à l'avant de l'échographe SonoSite SII.
- ▶ Ne pas exercer de force excessive lors du déplacement de la station.

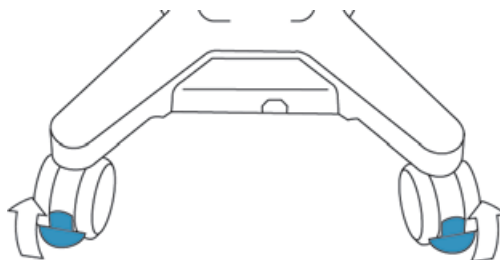
Pour bloquer la station

- ❖ Appuyer sur le levier de blocage de chaque roue.



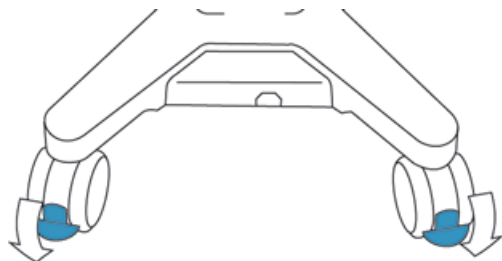
Pour déplacer la station

- 1 Débloquer chaque roue en remontant le levier de blocage de chacune d'entre elles.



- 2 Saisir fermement la station par le plateau et la déplacer vers son nouvel emplacement.

- 3 Une fois que la station a atteint son nouvel emplacement, bloquer au moins deux des roues en appuyant sur les leviers de blocage correspondants.



Dépannage

Problème	Solution
L'imprimante n'imprime pas.	<ul style="list-style-type: none">▶ Vérifier la sélection de l'imprimante sur la page des paramètres Connectivity (Raccordement). Pour plus d'informations, consulter le <i>guide d'utilisation SonoSite SII</i>.▶ Vérifier les connexions des câbles. Pour plus d'informations, consulter les <i>Instructions d'assemblage de la station SonoSite SII</i>.▶ S'assurer que l'imprimante est sous tension et correctement configurée. Si nécessaire, consulter le mode d'emploi de l'imprimante.
La station bascule plus facilement que prévu.	<ul style="list-style-type: none">▶ Abaisser le vérin pour abaisser l'échographe et le plateau en option.▶ Éviter de placer ou de suspendre des objets lourds sur la station. Trop de poids peut entraîner l'instabilité de la station.

Nettoyage et désinfection

AVERTISSEMENTS :

- ▶ Pour éviter tout risque de choc électrique, toujours débrancher l'échographe de la prise de courant avant de procéder au nettoyage.
- ▶ Pour éviter tout risque de blessure, porter en permanence des lunettes et des gants de protection lors des procédures de nettoyage et de désinfection.
- ▶ Pour éviter tout risque d'infection, vérifiez que la date de péremption de la solution n'est pas dépassée.
- ▶ Pour éviter tout risque d'infection, noter que le niveau de désinfection d'un produit dépend du type de tissu avec lequel il entre en contact pendant son utilisation. Vérifier que la concentration de la solution et le temps de contact conviennent au matériel en question. Pour plus d'informations, se reporter aux indications figurant sur l'étiquette du produit désinfectant et aux recommandations de la FDA et de l'APIC (Association for Professionals in Infection Control and Epidemiology [Association des Professionnels en Contrôle d'Infection et Épidémiologie]).

Mise en garde:

Utiliser uniquement les solutions de nettoyage ou de désinfection préconisées sur les surfaces du matériel. L'utilisation de désinfectants nécessitant une immersion n'a pas été testée sur les surfaces.

Pour nettoyer et désinfecter la station

La surface externe de la station peut être nettoyée et désinfectée avec le produit de nettoyage ou le désinfectant recommandé. Pour la liste la plus récente des produits agréés, visiter le site www.sonosite.com.

- 1 Mettre l'échographe hors tension ainsi que tous les accessoires. Déconnecter l'échographe et les accessoires de l'alimentation secteur.

2 Nettoyer toutes les surfaces de la station pour éliminer tous les débris et les fluides corporels. Utiliser la procédure suivante :

a Utiliser soit une lingette pré-imbibée soit un chiffon doux imbibé de produit nettoyant ou de désinfectant.

Nettoyants et désinfectants agréés pour la station

Nettoyant/désinfectant	Temps de contact minimum¹
SaniCloth AF3 (bouchon gris) ²	3 minutes
SaniCloth Plus (bouchon rouge)	3 minutes
PI-Spray II	20 minutes

¹ Pour une efficacité maximale, le composant nettoyé doit rester humidifié par le désinfectant pendant une durée minimum.

² Homologué pour être utilisé comme désinfectant de niveau intermédiaire pour les mycobactéries. Pour obtenir une liste plus complète, se reporter au document sur les produits de nettoyage et de désinfection, disponible sur www.sonosite.com

b Éliminer les traces de gel et de fluides corporels sur la station.

c Nettoyer à l'aide d'une lingette neuve toutes les parties de la station en allant des zones propres vers les zones souillées. Cette méthode permet d'éviter la contamination croisée.

d Respecter un temps de contact humide minimum. Vérifier que toutes les parties de la station sont humides. Si une partie n'est plus humide, réhumidifier à l'aide d'une nouvelle lingette.

3 Laisser sécher la station à l'air libre dans un endroit propre et bien ventilé.

Pour plus d'informations sur le nettoyage des périphériques, se reporter aux instructions correspondantes.

Sécurité

Pour garantir une sécurité maximale, respecter les avertissements et mises en garde suivants avant d'utiliser les accessoires et périphériques avec l'échographe SonoSite SII et les sondes.

Sécurité électrique

AVERTISSEMENTS :

Pour éviter tout risque de choc électrique et un éventuel incendie :

- ▶ Ne pas brancher le cordon d'alimentation de la station SonoSite SII à une multiprise portable et ne pas utiliser de rallonge électrique.
- ▶ N'utiliser que du matériel correctement raccordé à la terre. Une mauvaise mise à la terre de l'alimentation électrique peut entraîner des risques d'électrocution. La fiabilité du raccordement à la terre ne peut être obtenue que si le matériel est branché sur une prise de courant conforme aux normes hospitalières, portant la mention « Qualité hospitalière », « Hôpital uniquement » ou équivalent. Ne pas retirer ni débrancher le fil de mise à la terre.
- ▶ Ne pas brancher plus d'un périphérique à la fois.
- ▶ Inspecter régulièrement l'alimentation secteur, les prises, les câbles et les cordons d'alimentation à la recherche d'éventuels dommages.
- ▶ Utiliser exclusivement les accessoires et périphériques recommandés par FUJIFILM SonoSite, y compris l'alimentation secteur. La connexion d'accessoires et de périphériques non recommandés par FUJIFILM SonoSite peut entraîner un risque d'électrocution. Contacter FUJIFILM SonoSite ou votre représentant local pour obtenir la liste des accessoires et des périphériques commercialisés ou recommandés par FUJIFILM SonoSite.

Sécurité du matériel

AVERTISSEMENT :

Pour éviter tout risque de basculement, de blessure et d'endommagement de l'échographe, ne pas déplacer la station à l'aide de la poignée située à l'avant de l'échographe.

Mises en garde :

- ▶ Une flexion ou une torsion excessive des câbles risque d'entraîner une défaillance ou un fonctionnement intermittent.
- ▶ Le recours à une méthode inadéquate de nettoyage ou de désinfection de toute partie des accessoires ou des périphériques peut les endommager définitivement. Pour prendre connaissance des instructions de nettoyage et de désinfection, voir «**Nettoyage et désinfection**» à la page 63 et le mode d'emploi du fabricant.
- ▶ N'utiliser que des périphériques préconisés par FUJIFILM SonoSite.
- ▶ Les parties métalliques accessibles sur les signaux d'entrée et de sortie à l'arrière et sur le côté de l'échographe ne sont pas reliées à la terre. Ne pas effectuer de test d'impédance de terre par injection de fort courant sur ces parties métalliques.

Sécurité clinique











AVERTISSEMENT :





Pour éviter toute erreur de diagnostic, ne pas utiliser d'écrans périphériques qui ne sont pas de catégorie hospitalière (commerciale). Ces écrans n'ont pas été vérifiés ou validés par FUJIFILM SonoSite comme étant adaptés pour le diagnostic.

Compatibilité électromagnétique (CEM)

Pour plus d'informations sur la compatibilité électromagnétique selon la norme CEI 60601-1-2, voir la section relative à la sécurité du guide d'utilisation de l'échographe et des guides complémentaires, comprenant la déclaration de conformité du fabricant.

Symboles des étiquettes

Symbole	Définition
	Apposé sur un dispositif de classe I pour lequel la stérilisation ou la mesure doit être vérifiée par l'organisme notifié, ou sur un dispositif de classe IIa, IIb ou III nécessitant une vérification ou un audit par l'organisme notifié, conformément aux annexes en vigueur de la directive 93/42/CEE
	Recyclage du carton ondulé
	Tension dangereuse
	Date de fabrication
	Courant continu (CC)
	Ne pas mouiller.
	Ne pas empiler plus de 2 unités.
	Ne pas empiler plus de 5 unités.
	Ne pas empiler plus de 10 unités.
	Fragile

Symbole	Définition
	Recyclage du papier
	Pour éviter tout risque de basculement, ne pas pousser ou tirer la station à l'aide de la poignée située à l'avant de l'échographe SonoSite SII.
	Lors du déplacement du système, pousser la station au niveau du plateau.
	Charge maximale
<p>WARNING: Connect Only Accessories and Peripherals Recommended by FUJIFILM SonoSite</p>	<p>AVERTISSEMENT : Connecter uniquement les accessoires et périphériques recommandés par FUJIFILM SonoSite</p>

Spécifications

Pour plus d'informations sur les périphériques, se reporter aux spécifications du fabricant.

Dimensions de la station

- ▶ Largeur : 51 cm
- ▶ Longueur : 59 cm
- ▶ Hauteur : 138,5 cm max., 108 cm min.
- ▶ Variation de hauteur : 30,5 cm
- ▶ Charge autorisée par corbeille de rangement : 5 kg

- ▶ Poids :
 - ▶ 16,8 kg
 - ▶ Poids total maximal : 45 kg avec échographe et accessoires.

Limites de température et d'humidité

Fonctionnement : 10 à 40 °C, 15 à 95 % HR.

Transport/stockage : -35 à 65 °C, 15 à 95 % HR.

Périphériques

▶ Imprimante

Pour plus d'informations sur l'installation et la configuration de l'imprimante, consulter les *Instructions d'installation de l'imprimante*. Pour commander du papier d'imprimante, contacter Sony au +1-800-686-7669 ou se rendre sur www.sony.com/professional pour commander le papier ou trouver un distributeur local.

- ▶ Corbeille de rangement
- ▶ Dispositif de retenue du cordon d'alimentation
- ▶ Support pour flacon de gel
- ▶ Ensemble plateau et tiroir
- ▶ Support de maintien du câble électrique

SonoSite SII Manuale dell'utente del supporto

Sommario

Introduzione	71
Convenzioni	72
Assistenza tecnica e commenti dei clienti	72
Caratteristiche del supporto	73
Collegamento e rimozione del sistema per ecografia	74
Regolazione dell'altezza e dell'angolazione del supporto	77
Spostamento e bloccaggio del supporto	79
Risoluzione dei problemi	80
Pulizia e disinfezione	81
Sicurezza	83
Sicurezza elettrica	83
Sicurezza dei dispositivi	83
Sicurezza clinica	84
Compatibilità elettromagnetica (EMC)	84
Caratteristiche tecniche	86
Dimensioni del supporto	86
Limiti di temperatura e umidità	87
Periferiche	87

Introduzione

Il *Manuale dell'utente del supporto SonoSite SII* fornisce informazioni sul supporto SonoSite SII e sulle periferiche. Per informazioni su una periferica, consultare le istruzioni incluse nella confezione del prodotto. Per informazioni sui trasduttori, consultare il *Manuale dell'utente del sistema per ecografia SonoSite SII*.

Se è necessario smontare il supporto, fare riferimento alle *Istruzioni di assemblaggio del supporto SonoSite SII* in dotazione con il supporto e reperibili al sito www.sonosite.com.

AVVERTENZA:

Per evitare il rischio di lesioni al paziente, errate diagnosi o lesioni all'operatore, leggere tutte le avvertenze contenute nel Manuale dell'utente del sistema per ecografia e i relativi supplementi.

Convenzioni

Nel manuale dell'utente vengono utilizzate le seguenti convenzioni:

- ▶ Le note di **AVVERTENZA** descrivono le precauzioni necessarie per evitare lesioni o la perdita di vite umane.
- ▶ Le note di **Attenzione** descrivono le precauzioni necessarie per evitare danni ai prodotti.
- ▶ Una **Nota** fornisce ulteriori informazioni.
- ▶ Le operazioni numerate di ogni procedura vanno eseguite seguendo l'ordine.
- ▶ Quanto esposto in elenchi puntati non implica una sequenza specifica.
- ▶ Le procedure che includono un'unica operazione cominciano con ❖.

I simboli e i termini utilizzati nel sistema sono illustrati nel manuale dell'utente del sistema per ecografia.

Assistenza tecnica e commenti dei clienti

Domande e commenti sono accolti con interesse. FUJIFILM SonoSite è interessata a conoscere i pareri dei clienti riguardo al sistema e al Manuale dell'utente. Contattare FUJIFILM SonoSite al numero +1-888-482-9449 negli Stati Uniti d'America. Al di fuori, contattare il più vicino rappresentante FUJIFILM SonoSite.

Per assistenza tecnica, contattare FUJIFILM SonoSite come segue:

Assistenza tecnica FUJIFILM SonoSite

Tel. (Stati Uniti o Canada)	+1-877-657-8118
Tel. (altri Paesi)	+1-425-951-1330, oppure rivolgersi al rappresentante locale
Fax	+1-425-951-6700
E-mail	service@sonosite.com
Internet	www.sonosite.com
Centro di assistenza per l'Europa	Principale: +31 20 751 2020 Assistenza in lingua inglese: +44 14 6234 1151 Assistenza in lingua francese: +33 1 8288 0702 Assistenza in lingua tedesca: +49 69 8088 4030 Assistenza in lingua italiana: +39 02 9475 3655 Assistenza in lingua spagnola: +34 91 123 8451
Centro di assistenza per l'Asia	+65 6380-5581

Caratteristiche del supporto

Il supporto fornisce una piattaforma di lavoro mobile e un vano per conservare i trasduttori e altri componenti. Fornisce anche collegamenti per accessori e periferiche.

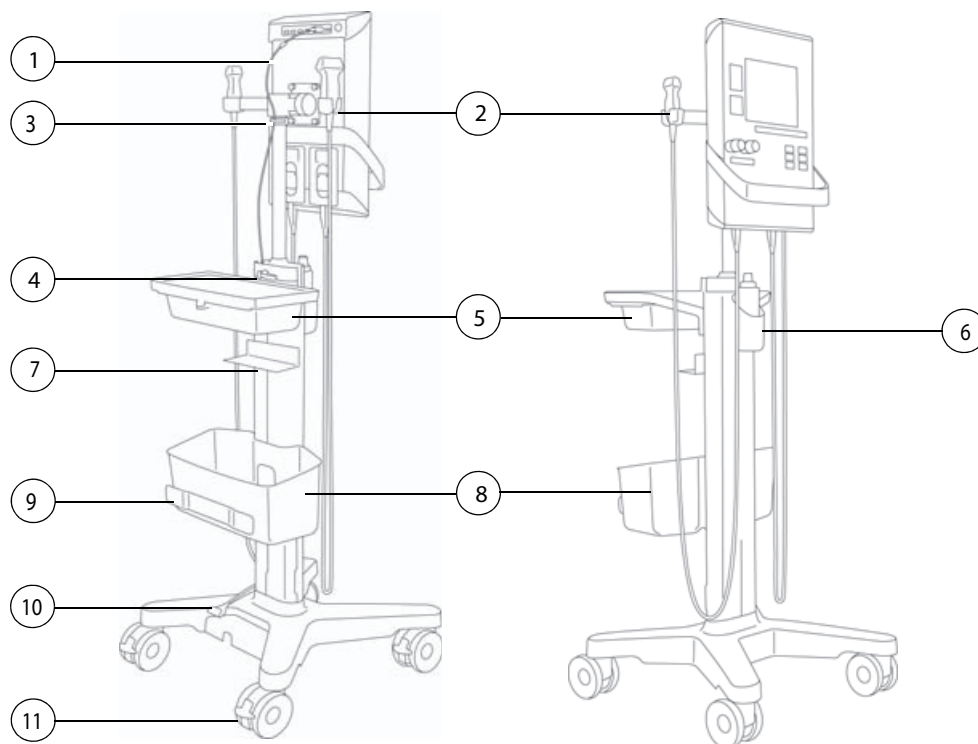


Figura 1 Supporto SonoSite SII: Viste posteriore e anteriore (illustrate con il sistema per ecografia installato)

1	Cavo di alimentazione CC	7	Mensola per stampante (opzionale)
2	Portatrasduttori	8	Cestino*
3	Staffa per cablaggio	9	Staffa per avvolgere il cavo
4	Leva per la regolazione dell'altezza	10	Fermo per cavo CA (opzionale)
5	Piano e cassetto	11	Leva per il bloccaggio delle ruote.
6	Portaflaconi per gel		

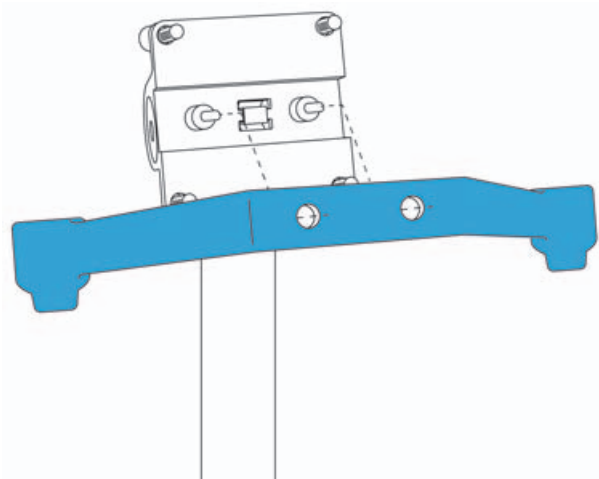
* È possibile acquistare un secondo cestino opzionale.

Collegamento e rimozione del sistema per ecografia

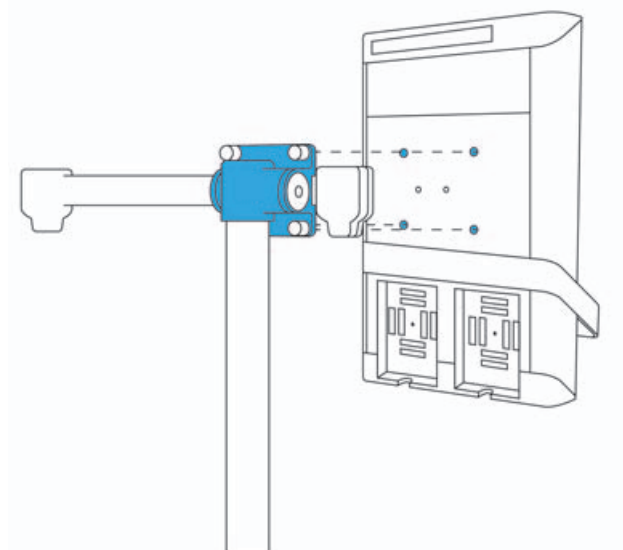
Prestare costantemente attenzione al supporto del peso del sistema per ecografia durante il collegamento e la rimozione dello stesso dal supporto.

Collegamento del sistema per ecografia

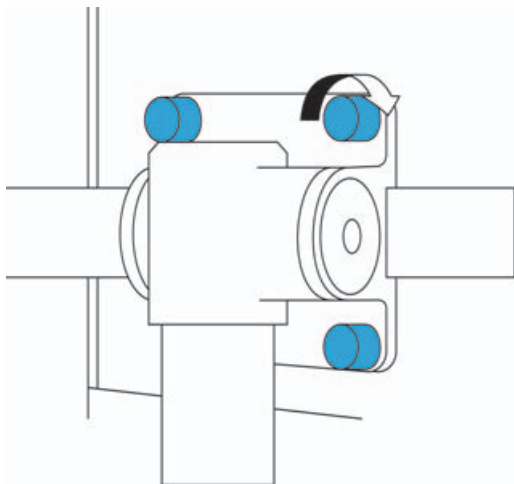
- 1 Posizionare il portatrasduttore sulla piastra di montaggio.



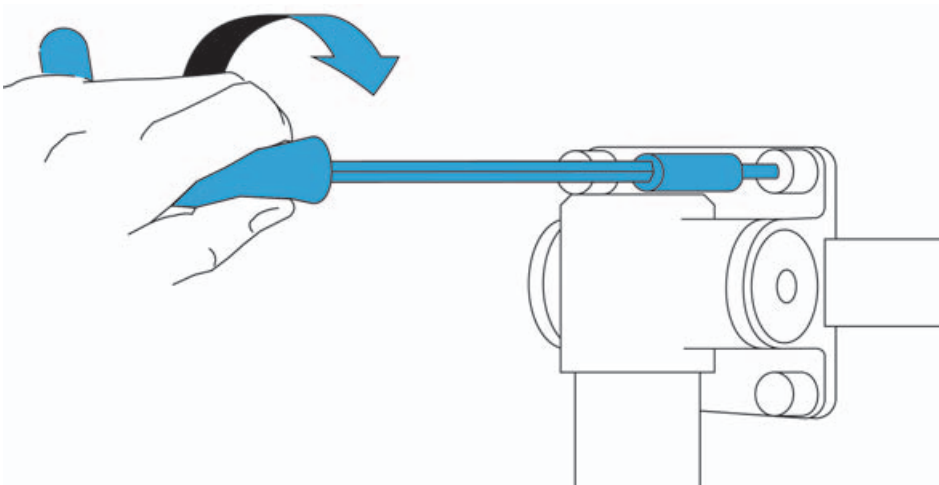
- 2 Collocare il lato posteriore del sistema sulla piastra di montaggio.



- 3 Ruotare manualmente in senso orario le quattro viti di fissaggio nei fori sul retro del sistema fino a quando il sistema non è fisso in posizione.



- 4 Serrare le chiusure con un cacciavite Phillips.



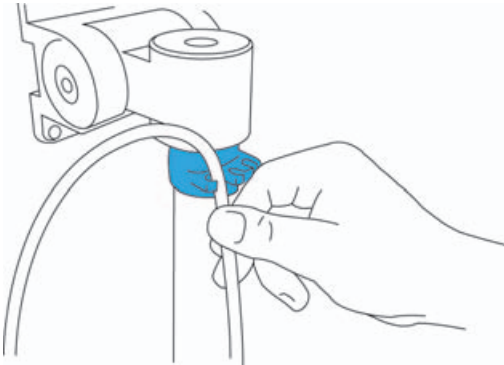
Con il supporto, sono inclusi un cacciavite e un inserto Phillips.

Per collegare l'alimentazione CA

- ❖ Collegare i cavi riportati di seguito:
 - ▶ Cavo di alimentazione CC
 - ▶ Cavo di alimentazione CA del sistema

Per collegare i cavi alla staffa per cablaggio

- ❖ Collegare i cavi agli slot corrispondenti nella staffa per cablaggio.

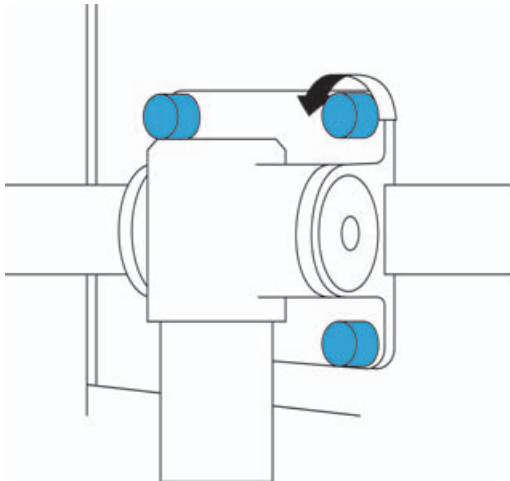


Rimozione del sistema per ecografia

AVVERTENZA:

Per evitare il rischio di lesioni personali o danni al sistema per ecografia, supportare il peso complessivo del sistema per ecografia mentre lo si sblocca e lo si rimuove dal supporto.

- 1 Supportare il sistema per ecografia in modo che non cada mentre viene sbloccato.
- 2 Ruotare le viti in senso antiorario nei quattro angoli della piastra di montaggio. Se necessario, utilizzare un cacciavite Phillips.



- 3 Rimuovere il sistema dal supporto.

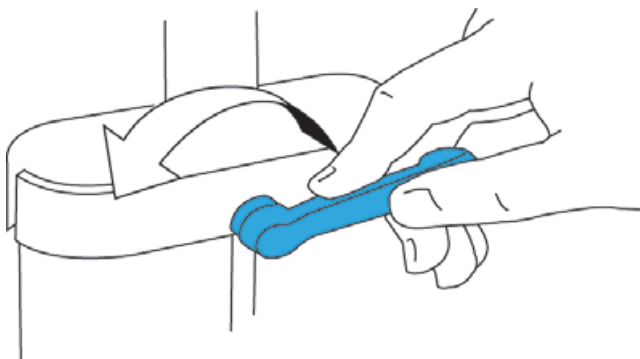
Il sistema si estrae dai due perni della piastra di montaggio.

Regolazione dell'altezza e dell'angolazione del supporto

Per alzare o abbassare il sistema per ecografia

- 1 Bloccare due o più rotelle.
- 2 Accertarsi che l'area al di sopra della colonna non sia ostruita.
- 3 Allentare la leva di regolazione dell'altezza ruotandola in senso antiorario.

L'asta è montata su molle e il sistema si solleverà dalla colonna automaticamente, a meno che non si trovi già all'altezza massima.

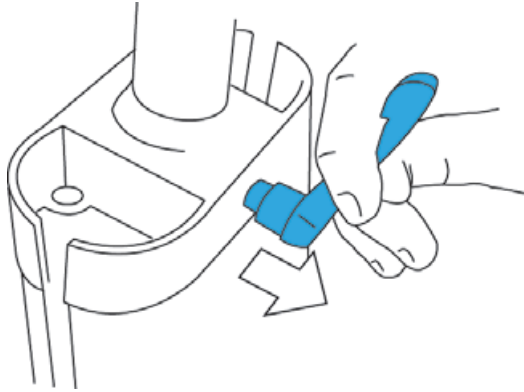


- 4 Sollevare o abbassare il sistema fino all'altezza desiderata, quindi serrare la leva ruotandola in senso orario.

Attenzione:

Quando si abbassa l'asta, evitare di afferrarne la base. La pelle potrebbe essere rimanere pizzicata nell'intercapedine.

Se non è possibile ruotare la leva di regolazione dell'altezza a causa di un'ostruzione (ad esempio, se il sistema per ecografia o un accessorio si trovano nelle vicinanze), è possibile riposizionare la leva tirandola verso l'esterno, ruotandola fino alla posizione desiderata, quindi rilasciandola.



Per regolare l'angolazione del sistema

- 1 Bloccare due o più rotelle.
- 2 Afferrare la maniglia sulla parte anteriore del sistema per ecografia, quindi inclinarla e ruotare il sistema fino all'angolazione desiderata.

Spostamento e bloccaggio del supporto

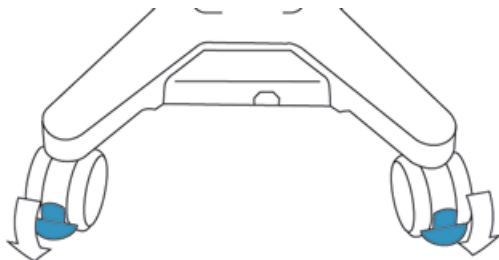
AVVERTENZE:

Per evitare lesioni o danni alle apparecchiature che potrebbero derivare dal ribaltamento del supporto:

- ▶ Regolare l'altezza del sistema il più basso possibile sul supporto prima di spostarlo.
- ▶ Spostare il sistema spingendo l'assieme del piano. Non spingere né tirare il supporto utilizzando la maniglia sulla parte anteriore del sistema per ecografia SonoSite SII.
- ▶ Non applicare una forza eccessiva durante lo spostamento del supporto.

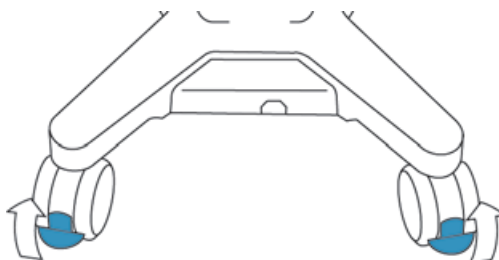
Per bloccare il supporto

- ❖ Abbassare la leva di bloccaggio di ogni ruota.



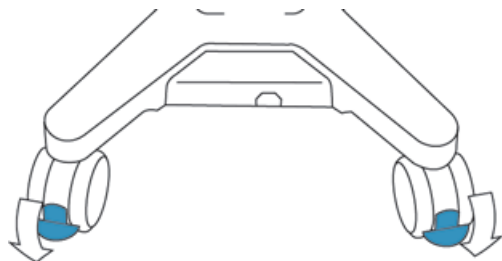
Per spostare il supporto

- 1 Sbloccare ogni ruota sollevando la leva di bloccaggio.



- 2 Afferrare saldamente il supporto dal gruppo del piano e spostarlo in una nuova ubicazione.

3 Una volta spostato, bloccare almeno due ruote abbassando la leva di bloccaggio.



Risoluzione dei problemi

Problema	Soluzione
La stampante non funziona.	<ul style="list-style-type: none">▶ Controllare la selezione della stampante nella pagina delle impostazioni della Connectivity (Connettività). Per ulteriori informazioni, consultare il <i>Manuale dell'utente SonoSite S11</i>.▶ Controllare i collegamenti dei cavi. Per ulteriori informazioni, consultare le <i>Istruzioni di assemblaggio del supporto SonoSite S11</i>.▶ Accertarsi che la stampante sia accesa e impostata correttamente. Se necessario, consultare la relativa documentazione.
Il supporto si ribalta più facilmente del previsto.	<ul style="list-style-type: none">▶ Abbassare l'asta per abbassare il sistema per ecografia e il vassoio opzionale.▶ Evitare di collocare o appendere oggetti pesanti sul supporto. Un peso eccessivo può causare una minore stabilità del supporto.

Pulizia e disinfezione

AVVERTENZE:

- ▶ Per evitare scosse elettriche, prima di pulire il sistema scollegarlo sempre dall'alimentatore.
- ▶ Durante le operazioni di pulizia e disinfezione, indossare sempre occhiali di protezione e guanti per evitare lesioni.
- ▶ Per evitare infezioni, assicurarsi che la data di scadenza del disinfettante non sia stata superata.
- ▶ Per evitare infezioni, il grado di disinfezione necessario per un prodotto dipende dal tipo di tessuto con cui entra in contatto durante la procedura. Verificare in particolare che la formula della soluzione e il tempo di contatto siano adatti per l'apparecchiatura. Per ulteriori informazioni, fare riferimento alle istruzioni che si trovano sull'etichetta del disinfettante e alle direttive della Association for Professionals in Infection Control and Epidemiology (APIC) e della FDA.

Attenzione:

Usare solo i prodotti di pulizia e disinfezione consigliati per le superfici. I disinfettanti a immersione non sono stati testati per l'uso sulle superfici.

Per pulire e disinfettare il supporto

La superficie esterna del supporto deve essere pulita e disinfettata con uno dei detergenti o disinfettanti consigliati. Per l'elenco più recente dei prodotti omologati, vedere www.sonosite.com.

- 1 Spegnere il sistema per ecografia e le apparecchiature accessorie. Scollegare il sistema e le apparecchiature accessorie dalla rete di alimentazione a corrente alternata.

2 Pulire le superfici del supporto per rimuovere eventuali detriti o fluidi corporei. Utilizzare la procedura riportata di seguito:

- a** Usare una salvietta imbevuta precedentemente o un panno morbido inumidito con il detergente o il disinfettante.

Detergenti e disinfettanti approvati per il supporto

Detergente/Disinfettante	Tempo di contatto minimo ¹
SaniCloth AF3 (tappo grigio) ²	3 minuti
SaniCloth Plus (tappo rosso)	3 minuti
PI-Spray II	20 minuti

¹ Per la massima efficacia, il componente pulito deve restare bagnato di disinfettante per un periodo di tempo minimo.

² Approvato per l'uso come disinfettante di livello intermedio per Mycobacterium. Per un elenco più completo, fare riferimento alla documentazione relativa a detergenti e disinfettanti disponibile su www.sonosite.com

- b** Rimuovere gel, detriti e fluidi corporei dal supporto.
 - c** Con un nuovo panno, pulire tutte le parti del supporto passando dalle aree pulite verso le superfici sporche. Questo metodo permette di evitare la contaminazione incrociata.
 - d** Rispettare il tempo di contatto minimo. Monitorare i componenti del supporto per assicurarsi che siano bagnati. Applicare nuovamente con un nuovo panno se non sono più bagnati.
- 3** Lasciare asciugare il supporto in un luogo pulito e ben ventilato.

Per informazioni sulla pulizia delle periferiche, fare riferimento alle istruzioni fornite dal produttore.

Sicurezza

Per garantire la massima sicurezza, osservare le seguenti note di avvertenza e attenzione prima di utilizzare gli accessori e le periferiche con il sistema per ecografia e i trasduttori SonoSite SII.

Sicurezza elettrica

AVVERTENZE:

Per evitare il rischio di scossa elettrica e di un eventuale incendio:

- ▶ Non inserire il cavo di alimentazione del supporto SonoSite SII in una presa multipla mobile (MPSO, multiple portable socket outlet) né utilizzare un cavo di prolunga.
- ▶ Utilizzare solo apparecchi correttamente collegati a terra. Se l'alimentatore non è correttamente collegato a terra, esiste il rischio di scosse elettriche. L'affidabilità della messa a terra è garantita dal collegamento dell'apparecchio a prese di corrente per uso ospedaliero o equivalente. Il cavo di terra non deve essere rimosso o sostituito.
- ▶ Non collegare più di una periferica allo stesso tempo.
- ▶ Ispezionare regolarmente l'alimentazione elettrica, le spine, i cavi e i cavi di alimentazione per escludere la presenza di danni.
- ▶ Utilizzare solo accessori e periferiche consigliati da FUJIFILM SonoSite, inclusa l'alimentazione. Il collegamento di accessori e periferiche non espressamente consigliate da FUJIFILM SonoSite potrebbe causare scosse elettriche. Per un elenco di accessori e periferiche forniti o consigliati da FUJIFILM SonoSite, rivolgersi a FUJIFILM SonoSite o al rappresentante più vicino.

Sicurezza dei dispositivi

AVVERTENZA:

Per evitare il ribaltamento e il rischio di lesioni personali o danni al sistema, non spostare il supporto utilizzando la maniglia sulla parte anteriore del sistema per ecografia.

Attenzione:

- ▶ Se piegati eccessivamente o attorcigliati, i cavi possono provocare errori o discontinuità nel funzionamento del sistema.
- ▶ La pulizia e la disinfezione non appropriate dei componenti di accessori e periferiche possono causare danni permanenti. Per le istruzioni relative alla pulizia e disinfezione, vedere **“Pulizia e disinfezione”** a pagina 81 e le istruzioni operative del produttore.
- ▶ Utilizzare esclusivamente periferiche consigliate da FUJIFILM SonoSite.
- ▶ Le parti metalliche degli ingressi e delle uscite di segnale sul retro e sul lato del sistema per ecografia non sono dotate di collegamento a terra di protezione. Non condurre test di impedenza di terra a corrente elevata per queste parti.

Sicurezza clinica










AVVERTENZA:






Per evitare diagnosi errate, non utilizzare monitor per periferiche non di tipo medico (commerciali). Questi monitor non sono stati verificati né convalidati da FUJIFILM SonoSite come idonei alla diagnosi.

Compatibilità elettromagnetica (EMC)

Per informazioni sulla compatibilità elettromagnetica con lo standard IEC 60601-1-2, inclusa la dichiarazione del produttore, vedere la sezione relativa alla sicurezza del Manuale dell'utente del sistema per ecografia.

Simboli delle etichette

Simbolo	Definizione
	Simbolo presente sui dispositivi di Classe 1 che richiedono la verifica da parte di un organismo notificato della sterilizzazione o delle funzioni di misurazione o sui dispositivi di Classe IIa, IIb o III che richiedono la verifica o il controllo da parte di un organismo notificato in base alla/e Appendice/i della direttiva 93/42/CEE applicabili.
	Riciclare i materiali ondulati.
	Tensione pericolosa
	Data di fabbricazione.
	Corrente continua (CC).
	Non bagnare.
	Non impilare più di 2 imballaggi.
	Non impilare più di 5 imballaggi.
	Non impilare più di 10 imballaggi.

Simbolo	Definizione
	Fragile.
	Riciclare la carta.
	Per evitare il ribaltamento, non spostare il sistema utilizzando la maniglia sulla parte anteriore del sistema per ecografia SonoSite SII.
	Durante lo spostamento del sistema, spingere il supporto dal piano.
	Carico di peso massimo
<p>WARNING: Connect Only Accessories and Peripherals Recommended by FUJIFILM SonoSite</p>	<p>AVVERTENZA: Collegare solo accessori e periferiche Consigliato da FUJIFILM SonoSite</p>

Caratteristiche tecniche

Per informazioni sulle periferiche, fare riferimento alle specifiche tecniche fornite dal produttore.

Dimensioni del supporto

- ▶ Larghezza: 51 cm
- ▶ Lunghezza: 59 cm
- ▶ Altezza: 138,5 cm max., 108 cm min.
- ▶ Intervallo altezza: 30,5 cm

- ▶ Carico di lavoro sicuro per cestino: 5 kg
- ▶ Peso:
 - ▶ 16,8 kg
 - ▶ Peso massimo totale di 45 kg con sistema e accessori.

Limiti di temperatura e umidità

Temperatura di funzionamento: da 10 a 40 °C, con umidità relativa del 15 – 95%

Spedizione/conservazione: da -35 a 65 °C, con umidità relativa del 15 – 95%

Periferiche

- ▶ Stampante

Per le istruzioni sull'installazione e la configurazione della stampante, consultare le *Istruzioni di installazione della stampante*. Per la carta della stampante, contattare Sony al numero +1-800-686-7669 o www.sony.com/professional per ordinare la carta o per informazioni su un distributore locale.

- ▶ Cestino
- ▶ Fermo per cavo CA
- ▶ Portaflaconi per gel
- ▶ Assieme piano e cassetto
- ▶ Staffa per cablaggio

Manual do Usuário do Pedestal SonoSite SII

Índice

Introdução	89
Convenções	90
Assistência ao cliente e comentários	90
Características do pedestal	91
Instalar e remover o sistema de ultrassom	92
Ajuste da altura e do ângulo do pedestal	95
Mover e travar o pedestal	97
Solução de problemas	98
Limpeza e desinfecção	99
Segurança	101
Segurança elétrica	101
Segurança do equipamento	101
Segurança clínica	102
Compatibilidade eletromagnética (CEM)	102
Especificações	104
Dimensões do pedestal	104
Limites de temperatura e umidade	105
Periféricos	105

Introdução

O Manual do Usuário do Pedestal *SonoSite SII* explica como usar o pedestal SonoSite SII e seus periféricos. Para obter informações sobre os periféricos, consulte as instruções do fabricante que acompanham cada produto. Para obter informações sobre os transdutores, consulte o Manual do Usuário do Sistema de Ultrassom *SonoSite SII*.

Se for necessário desmontar o pedestal, consulte as Instruções de Montagem do Pedestal *SonoSite SII*, disponibilizadas com o pedestal e em www.sonosite.com.

AVISO:

Para evitar risco de lesões ao paciente, diagnósticos incorretos ou lesões do usuário, leia todos os avisos no manual do usuário e nos manuais adicionais do sistema de ultrassom.

Convenções

O manual do usuário segue estas convenções:

- ▶ Um **AVISO** descreve as precauções necessárias para evitar ferimentos ou morte.
- ▶ Um aviso de **Cuidado** descreve as precauções necessárias para proteção dos produtos.
- ▶ Uma **Observação** fornece informações complementares.
- ▶ As etapas numeradas nos procedimentos devem ser executadas na ordem.
- ▶ Os itens em listas com marcadores não necessitam de uma sequência.
- ▶ Os procedimentos de etapa única começam com ❖.

Os símbolos e os termos usados no sistema são explicados no manual do usuário do sistema de ultrassom.

Assistência ao cliente e comentários

Dúvidas e comentários são importantes. A FUJIFILM SonoSite está interessada em seu feedback sobre o sistema e o manual do usuário. Entre em contato com a FUJIFILM SonoSite em +1-888-482-9449 nos EUA. Fora dos EUA, contate o representante FUJIFILM SonoSite mais próximo.

Para assistência técnica, entre em contato com a FUJIFILM SonoSite das seguintes formas:

Suporte técnico da FUJIFILM SonoSite

Telefone (EUA ou Canadá)	+1-877-657-8118
Telefone (fora dos EUA ou do Canadá)	+1-425-951-1330 ou ligue para o seu representante local
Fax	+1-425-951-6700
E-mail	service@sonosite.com
Web	www.sonosite.com
Centro de manutenção da Europa	Principal: +31 20 751 2020 Suporte em inglês: +44 14 6234 1151 Suporte em francês: +33 1 8288 0702 Suporte em alemão: +49 69 8088 4030 Suporte em italiano: +39 02 9475 3655 Suporte em espanhol: +34 91 123 8451
Centro de manutenção da Ásia	+65 6380-5581

Características do pedestal

O pedestal oferece uma plataforma de trabalho móvel e uma área de armazenamento para os transdutores e outros suprimentos. Oferece também conexões para acessórios e periféricos.

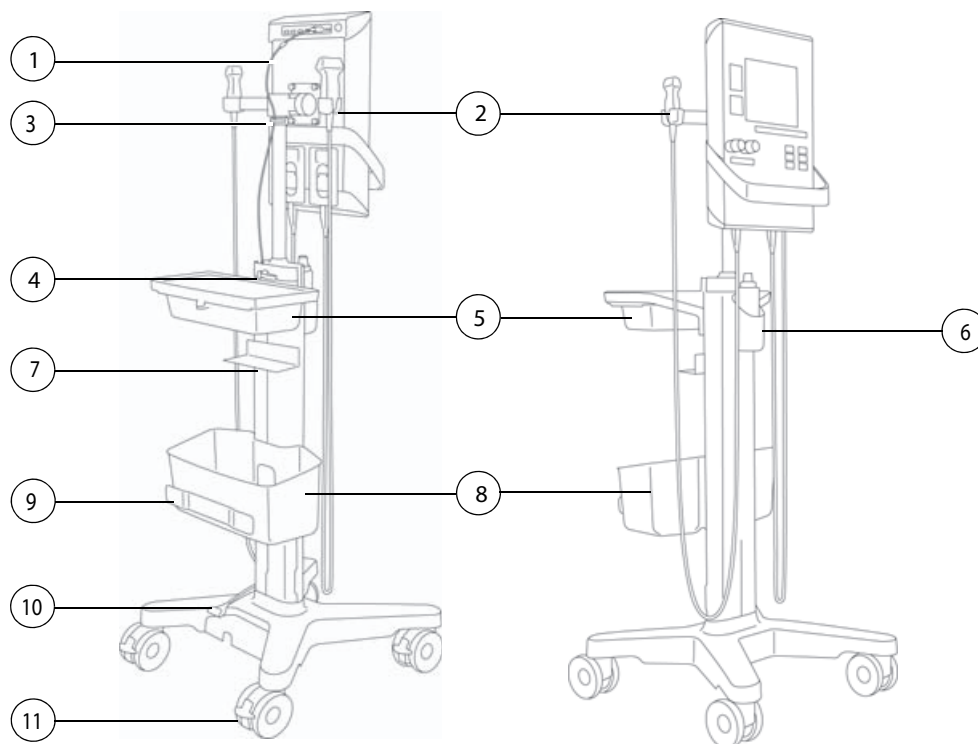


Figura 1 Pedestal SonoSite SII: Vistas frontal e traseira (mostradas com o sistema de ultrassom instalado)

1	Cabo de alimentação CC	7	Prateleira da impressora (opcional)
2	Suporte do transdutor	8	Caixa de armazenamento*
3	Suporte dos cabos	9	Suporte do guarda-fio
4	Alavanca de ajuste de altura	10	Retentor do cabo CA (opcional)
5	Bandeja e gaveta	11	Alavanca de trava da roda
6	Suporte da garrafa de gel		

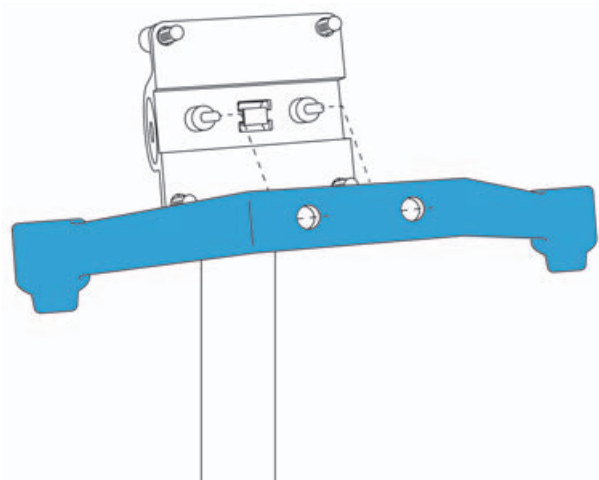
* Uma segunda caixa de armazenamento opcional está disponível para compra.

Instalar e remover o sistema de ultrassom

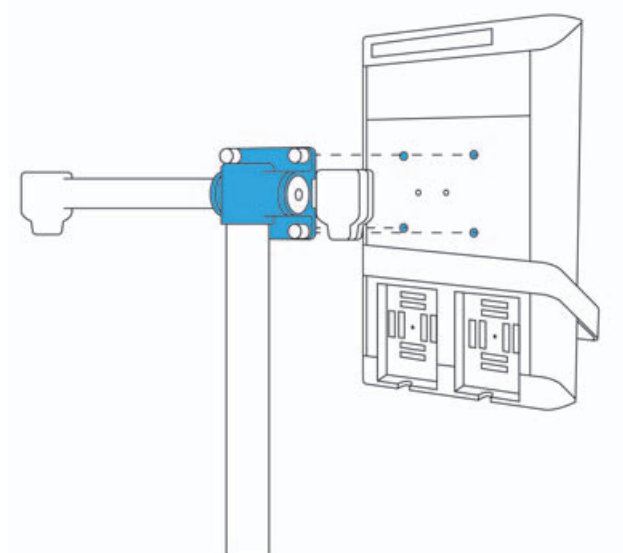
Assegure-se de sempre suportar o peso do sistema de ultrassom ao instalá-lo e removê-lo do pedestal.

Para fixar o sistema de ultrassom

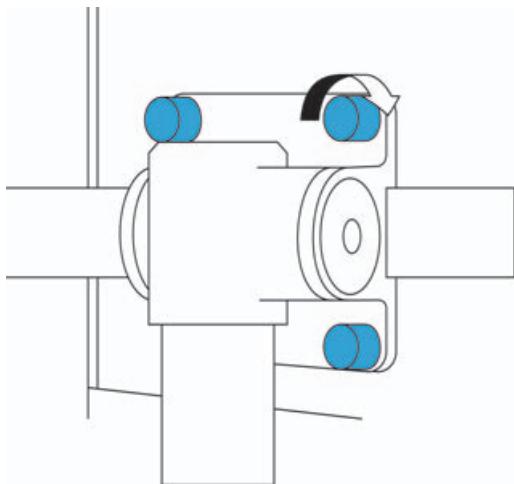
1 Coloque o suporte do transdutor na placa de montagem.



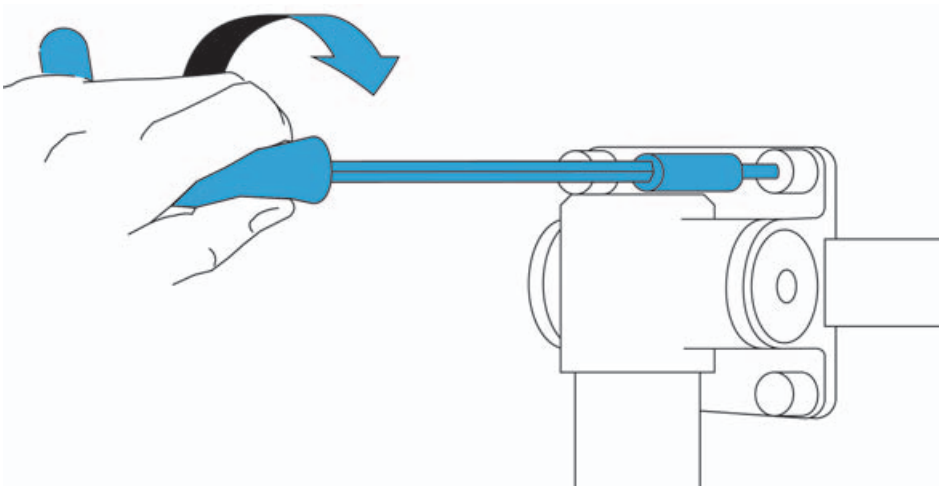
2 Coloque a parte de trás do sistema na placa de montagem.



- 3 Com as mãos, gire os quatro parafusos de fixação cativos, no sentido horário, nos orifícios da parte posterior do sistema até o sistema ficar preso.



- 4 Prenda os parafusos de fixação com uma chave Phillips.



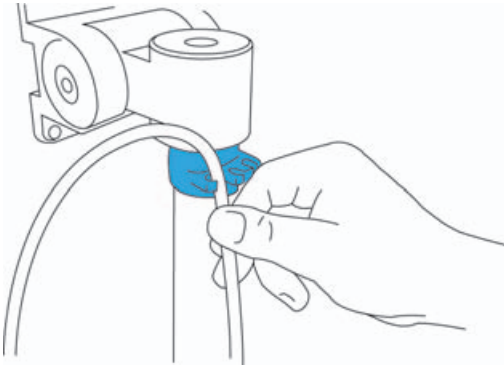
Um inserto Phillips e uma chave acompanham o pedestal.

Para conectar a alimentação CA

- ❖ Conecte os seguintes cabos:
 - ▶ Cabo de alimentação CC
 - ▶ Cabo de alimentação de CA do sistema

Para conectar os cabos ao suporte de cabos

- ❖ Prenda os cabos nos slots correspondentes no suporte de cabos.

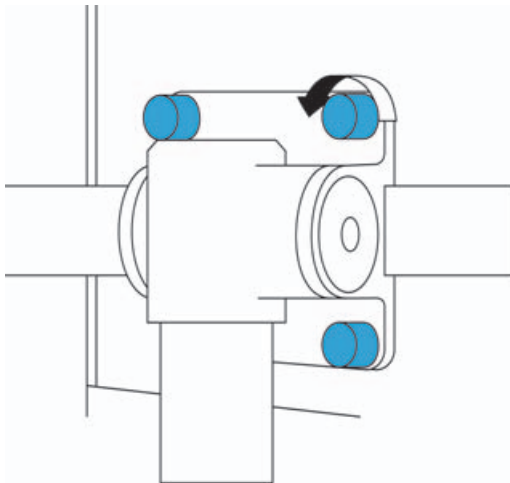


Para remover o sistema de ultrassom

AVISO:

Para evitar risco de ferimentos ou danos ao sistema de ultrassom, suporte totalmente o peso do sistema de ultrassom ao soltá-lo e removê-lo do pedestal.

- 1 O sistema de ultrassom deverá ser suportado para não cair quando estiver solto.
- 2 Gire o parafuso de cada um dos quatro cantos da placa de montagem no sentido anti-horário. Se necessário, use uma chave Phillips.



- 3 Remova o sistema do pedestal.

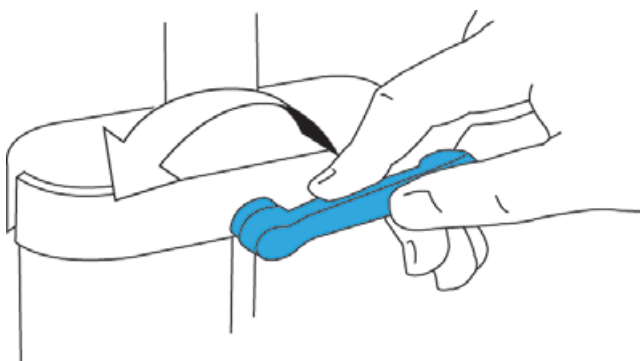
O sistema levanta as duas cavilhas da placa de montagem.

Ajuste da altura e do ângulo do pedestal

Para levantar ou abaixar o sistema de ultrassom

- 1 Trave duas ou mais rodas.
- 2 Certifique-se de que a área acima da coluna esteja livre.
- 3 Solte a alavanca de ajuste de altura ao girá-la no sentido anti-horário.

O poste é acionado por molas e o sistema emergirá na coluna automaticamente a menos que já esteja na altura máxima.

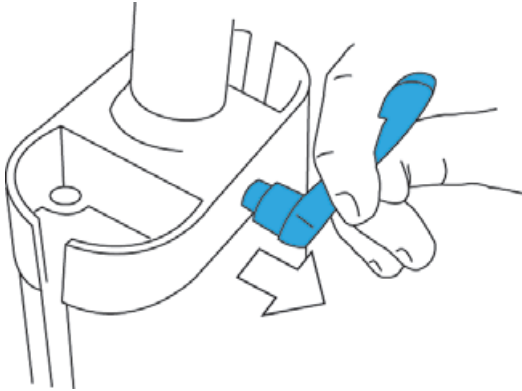


- 4 Erga ou abaixe o sistema até a altura desejada e, então, prenda a alavanca de ajuste de altura ao girá-la no sentido horário.

Cuidado:

Ao abaixar o poste, evite segurar sua base. A pele pode ficar presa e impressada na folga.

Se não for possível girar a alavanca de ajuste de altura devido a uma obstrução (por exemplo, o sistema de ultrassom ou um acessório está atrapalhando), você poderá reposicionar a alavanca ao puxá-la para fora, girando-a na posição desejada e, então, soltando-a.



Para ajustar o ângulo do sistema

- 1 Trave duas ou mais rodas.
- 2 Segure a alça na parte frontal do sistema de ultrassom e, então, incline e gire o sistema até o ângulo desejado.

Mover e travar o pedestal

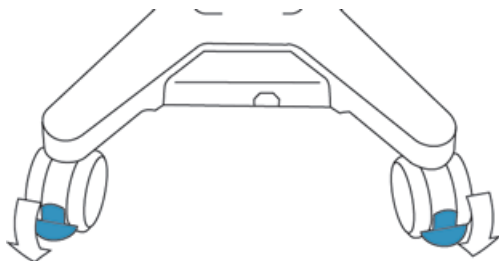
AVISOS:

Para ajudar a evitar ferimentos ou danos ao equipamento que podem ocasionar a queda do pedestal:

- ▶ Ajuste a altura do sistema até a mínima possível no pedestal antes de movê-lo.
- ▶ Mova o pedestal ao empurrar o conjunto da bandeja. Não puxe ou empurre o pedestal usando a alça frontal do sistema de ultrassom SonoSite SII.
- ▶ Não aplique força excessiva ao mover o pedestal.

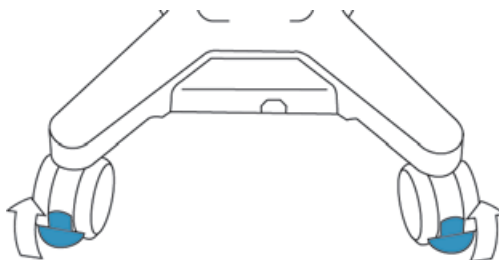
Para travar o pedestal

- ❖ Abaixar as alavancas de trava da roda.



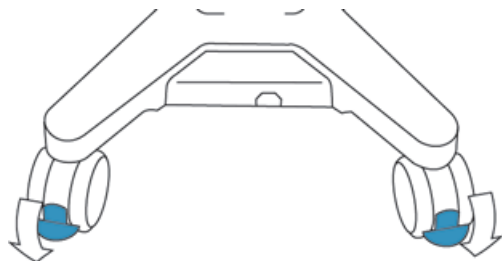
Para mover o pedestal

- 1 Destrave as rodas levantando a alavanca de trava.



- 2 Segure o pedestal firmemente pelo conjunto da bandeja e mova-o até o novo local.

3 Após terminar de mover o pedestal, trave pelo menos duas rodas abaixando a alavanca de trava.



Solução de problemas

Problema	Solução
A impressora não imprime.	<ul style="list-style-type: none">▶ Verifique a seleção da impressora na página de configuração Connectivity (Conectividade). Para obter mais informações, consulte o manual do usuário do <i>SonoSite SII</i>.▶ Verifique as conexões do cabo. Para obter mais informações, consulte as Instruções de Montagem do Pedestal <i>SonoSite SII</i>.▶ Certifique-se de que a impressora esteja ligada e configurada corretamente. Consulte as instruções do fabricante da impressora, se necessário.
O pedestal cai mais facilmente do que o esperado.	<ul style="list-style-type: none">▶ Abaixar o poste para abaixar o sistema de ultrassom e a bandeja opcional.▶ Evite pendurar ou colocar objetos pesados sobre a plataforma. Peso excessivo sobre a plataforma pode tornar o pedestal menos estável.

Limpeza e desinfecção

AVISOS:

- ▶ Para evitar choque elétrico, sempre desconecte o sistema da fonte de alimentação antes de limpá-lo.
- ▶ Para evitar ferimentos, sempre use óculos e luvas de proteção ao executar os procedimentos de limpeza e de desinfecção.
- ▶ Para evitar infecções, certifique-se de que a solução ainda esteja em seu prazo de validade.
- ▶ Para evitar infecções, o nível de desinfecção necessário para um produto dependerá do tipo de tecido com o qual ele entrará em contato durante o uso. Verifique se o nível de concentração da solução e a duração do contato são adequados para o equipamento. Para obter informações, consulte as instruções no rótulo do desinfetante e as recomendações da APIC (Association for Professionals in Infection Control and Epidemiology) e da FDA.

Cuidado:

Nas superfícies, use apenas produtos de limpeza ou desinfetantes recomendados. O uso de desinfetantes de imersão não foi testado nas superfícies do sistema.

Para limpar e desinfetar o pedestal

Você pode limpar e desinfetar a superfície exterior ou o pedestal usando produto de limpeza ou desinfetante recomendados. Para obter a lista mais recente de produtos aprovados, consulte www.sonosite.com.

- 1 Desligue o sistema de ultrassom e qualquer equipamento acessório. Desconecte o sistema e os equipamentos acessórios da alimentação de CA.

2 Limpe as superfícies do pedestal para remover quaisquer resíduos ou fluidos corporais. Use o seguinte procedimento:

- a** Use um pano pré-umedecido ou um pano macio umedecido com produto de limpeza ou desinfetante.

Produtos de limpeza e desinfetantes aprovados para o pedestal

Produto de limpeza/desinfetante	Tempo mínimo de contato com a umidade ¹
SaniCloth AF3 (tampa cinza) ²	3 minutos
SaniCloth Plus (tampa vermelha)	3 minutos
PI-Spray II	20 minutos

¹ Para obter eficácia máxima, o componente sendo limpo deve permanecer úmido com desinfetante por um período mínimo de tempo.

² Qualificado para uso como desinfetante de nível intermediário para micobactérias. Para ver uma lista mais completa, consulte o documento de limpeza e de desinfecção disponível em www.sonosite.com

- b** Remova todos os resíduos de gel, detritos e fluidos corporais do pedestal.
 - c** Com um pano novo, limpe todas as peças do pedestal ao esfregar das áreas limpas para as áreas sujas. Esse método ajuda a evitar a contaminação cruzada.
 - d** Respeite o tempo mínimo de contato com a umidade. Monitore as peças do pedestal quanto à aparência úmida. Reaplique com um novo pano umedecido, se não estiver mais úmido.
- 3** Deixe o pedestal secar ao ar livre em um espaço limpo e bem ventilado.

Para obter informações sobre a limpeza de periféricos, consulte as instruções do fabricante.

Segurança

Para obter o máximo de segurança, observe as informações de avisos e cuidados antes de usar os acessórios e os periféricos com o sistema de ultrassom SonoSite SII e os transdutores.

Segurança elétrica

AVISOS:

Para evitar risco de choque elétrico e incêndio:

- ▶ Não conecte o cabo de alimentação do pedestal SonoSite SII a uma tomada portátil de soquete múltiplo (MPSO). Não use extensão.
- ▶ Use somente equipamentos devidamente aterrados. Haverá risco de choque elétrico se a fonte de alimentação não for devidamente aterrada. A confiabilidade do aterramento só poderá ser assegurada quando o equipamento estiver conectado a uma tomada marcada com "Somente para uso hospitalar", "Grau hospitalar" ou equivalente. O fio-terra não deve ser removido nem desviado.
- ▶ Não conecte mais de um periférico por vez.
- ▶ Inspecione a fonte de alimentação, os plugues, os cabos e os cabos de alimentação regularmente para verificar se há danos.
- ▶ Use somente acessórios e periféricos recomendados pela FUJIFILM SonoSite, inclusive a fonte de alimentação. A conexão de acessórios e periféricos não recomendados pela FUJIFILM SonoSite pode resultar em choque elétrico. Entre em contato com a FUJIFILM SonoSite ou com seu representante local para obter uma lista de acessórios e periféricos disponíveis ou recomendados pela FUJIFILM SonoSite.

Segurança do equipamento

AVISO:

Para evitar quedas e risco de ferimentos ou danos ao sistema, não mova o pedestal usando a alça frontal do sistema de ultrassom.

Cuidados:

- ▶ Dobrar ou torcer os cabos em excesso pode causar interrupções ou falhas de funcionamento.
- ▶ A limpeza ou a desinfecção inadequada de qualquer parte dos acessórios e dos periféricos pode provocar danos permanentes. Para obter informações sobre limpeza e desinfecção, consulte **“Limpeza e desinfecção”** na página 99 e as instruções de operação do fabricante.
- ▶ Use somente os periféricos recomendados pela FUJIFILM SonoSite.
- ▶ O metal acessível das entradas e das saídas de sinal da traseira e das laterais do sistema de ultrassom não dispõe de aterramento de proteção. Não execute testes de impedância de aterramento de corrente elevada que envolvam essas partes do equipamento.

Segurança clínica











AVISO:





Para evitar diagnósticos incorretos, não use monitores de periféricos que não sejam de padrão médico (comerciais). Esses monitores não foram verificados nem validados pela FUJIFILM SonoSite como adequados para diagnóstico.

Compatibilidade eletromagnética (CEM)

Consulte a seção de segurança do Manual do Usuário e de guias adicionais do sistema de ultrassom para obter informações sobre a compatibilidade eletromagnética com a especificação IEC 60601-1-2, inclusive a Declaração do Fabricante.

Identificação dos símbolos

Símbolo	Definição
	Dispositivo Classe 1 que requer verificação pelo organismo notificado para esterilização ou recursos de medida, ou a um dispositivo Classe IIa, IIb ou III que requer verificação ou auditoria pelo organismo notificado de acordo com o(s) Anexo(s) aplicável(is) da 93/42/EEC
	Reciclar corrugado
	Tensão perigosa
	Data de fabricação
	Corrente contínua (CC)
	Não molhar
	Não empilhar mais de 2 unidades.
	Não empilhar mais de 5 unidades.
	Não empilhar mais de 10 unidades.
	Frágil

Símbolo	Definição
	Reciclar papel
	Para evitar queda, não mova o sistema usando a alça frontal do sistema de ultrassom SonoSite SII.
	Ao mover o sistema, empurre o pedestal usando a bandeja.
	Carga de peso máxima
<p>WARNING: Connect Only Accessories and Peripherals Recommended by FUJIFILM SonoSite</p>	<p>AVISO: Conecte apenas acessórios e periféricos Recomendado pela FUJIFILM SonoSite</p>

Especificações

Para obter informações sobre periféricos, consulte as especificações do fabricante.

Dimensões do pedestal

- Largura: 51 cm
- Comprimento: 59 cm
- Altura: 138,5 cm (máx.), 108 cm (mín.)
- Faixa de altura: 30,5 cm
- Carga de trabalho de segurança por caixa: 5 kg

- ▶ Peso:
 - ▶ 16,8 kg
 - ▶ 45 kg - peso total máximo com o sistema e os acessórios.

Limites de temperatura e umidade

Em operação: 10 a 40 °C; 15% a 95% de U.R.

Transporte/armazenamento: -35 a 65 °C; 15% a 95% de U.R.

Periféricos

▶ Impressora

Para instruções sobre a instalação e a configuração da impressora, consulte as *Instruções de Instalação da Impressora*. Para adquirir papel para a impressora, contate a Sony em 1-800-686-7669 ou em www.sony.com/professional para encomendar o papel ou para localizar um distribuidor local.

- ▶ Caixa de armazenamento
- ▶ Retentor do cabo CA
- ▶ Suporte da garrafa de gel
- ▶ Conjunto da bandeja e gaveta
- ▶ Suporte dos cabos

SonoSite SII brukerhåndbok for stativ

Innholdsfortegnelse

Innledning	107
Konvensjoner	108
Kundestøtte og kommentarer	108
Stativfunksjoner	109
Sette inn og ta ut ultralydssystemet	110
Justere høyde og vinkel på stativet	113
Flytte og låse stativet	115
Feilsøking	116
Rengjøring og desinfisering	117
Sikkerhet	119
Elektrisk sikkerhet	119
Utstyrssikkerhet	119
Klinisk sikkerhet	120
Elektromagnetisk kompatibilitet (EMC)	120
Spesifikasjoner	122
Stativmål	122
Grenseverdier for temperatur og luftfuktighet	123
Eksterne enheter	123

Innledning

SonoSite SII brukerhåndbok for stativ forklarer bruken av SonoSite SII-stativet og eksterne enheter. Hvis du vil ha informasjon om eksterne enheter, kan du se i produsentens instruksjoner som fulgte med det produktet. Les *SonoSite SII brukerhåndbok for ultralydssystem* for informasjon om transdusere.

Hvis du må demontere stativet, viser vi til *SonoSite SII monteringsinstruksjoner for stativ* som fulgte med stativet og som du også finner på www.sonosite.com.

ADVARSEL!

Les alle advarsler i brukerhåndboken for ultralydssystemet og supplerende veiledninger for å unngå risiko for pasientskade, feildiagnose eller brukerskade.

Konvensjoner

Brukerveiledningen følger disse konvensjonene:

- ▶ En **ADVARSEL** beskriver forholdsregler som er nødvendige for å avverge personskade eller dødsfall.
- ▶ **Forsiktig** beskriver forholdsregler som er nødvendige for å beskytte produktene.
- ▶ **Merk** gir tilleggsinformasjon.
- ▶ De nummererte trinnene i prosedyrene må utføres i riktig rekkefølge.
- ▶ Elementer i punktlistor påkrever ikke en bestemt rekkefølge.
- ▶ Ett-trinnsprosedyrer begynner med ❖.

Symboler og terminologi som brukes om systemet, er forklart i brukerhåndboken for ultralydssystemet.

Kundestøtte og kommentarer

Vi oppfordrer alle kunder til å stille spørsmål og gi kommentarer. FUJIFILM SonoSite er interessert i tilbakemeldinger om systemet og brukerhåndboken. Ta kontakt med FUJIFILM SonoSite på +1-888-482-9449 i USA. Hvis du befinner deg utenfor USA, kan du kontakte den lokale FUJIFILM SonoSite-representanten.

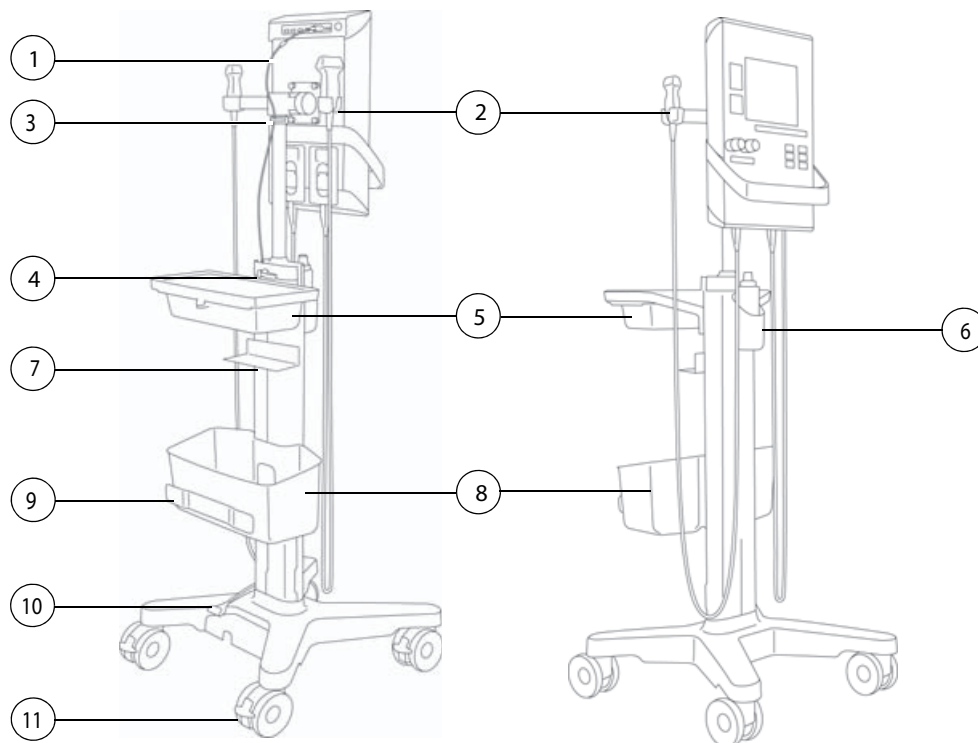
Hvis du ønsker teknisk støtte, ta kontakt med FUJIFILM SonoSite på følgende måte:

FUJIFILM SonoSite Teknisk støtte

Telefon (USA eller Canada)	+1-877-657-8118
Telefon (utenfor USA eller Canada)	+1-425-951-6700, eller ta kontakt med din lokale representant
Faks	+1-425-951-6700
E-post	service@sonosite.com
Nettsted	www.sonosite.com
Servicesenter i Europa	Hovednummer: +31 20 751 2020 Engelsk støtte: +44 14 6234 1151 Fransk støtte: +33 1 8288 0702 Tysk støtte: +49 69 8088 4030 Italiensk støtte: +39 02 9475 3655 Spansk støtte: +34 91 123 8451
Servicesenter i Asia	+65 6380-5581

Stativfunksjoner

Stativet gir en mobil arbeidsplattform og et oppbevaringsområde for transdusere og annet tilbehør. Det gir også tilkobling for tilbehør og eksterne enheter.



Figur 1 SonoSite SII-stativ: Sett bakfra og forfra (vist med ultralydsystemet installert)

1	DC-strømledning	7	Skriverhylle (ekstrautstyr)
2	Transduserstativ	8	Oppbevaringsbeholder*
3	Ledningsbrakett	9	Brakett for vikling av ledninger
4	Høydejusteringsspak	10	AC-ledningsholder (ekstrautstyr)
5	Brett og skuff	11	Hjullåsespak
6	Gel-flaskeholder		

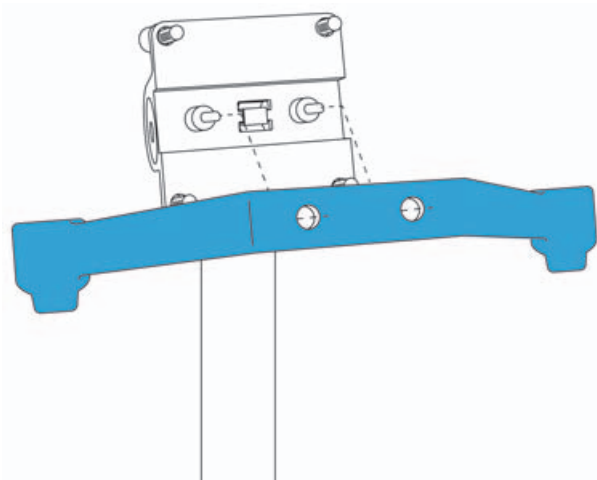
* Det er mulig å kjøpe en ekstra oppbevaringsbeholder.

Sette inn og ta ut ultralydssystemet

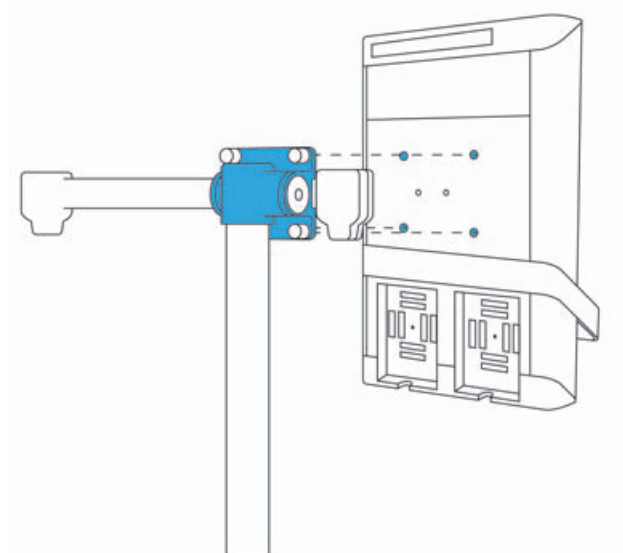
Støtt alltid vekten av ultralydssystemet når det skal settes inn i eller tas ut av stativet.

Sette inn ultralydssystemet

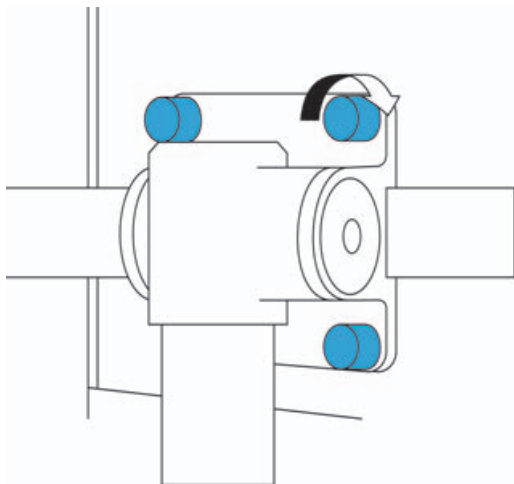
- 1 Sett transduserstativet på festeplaten.



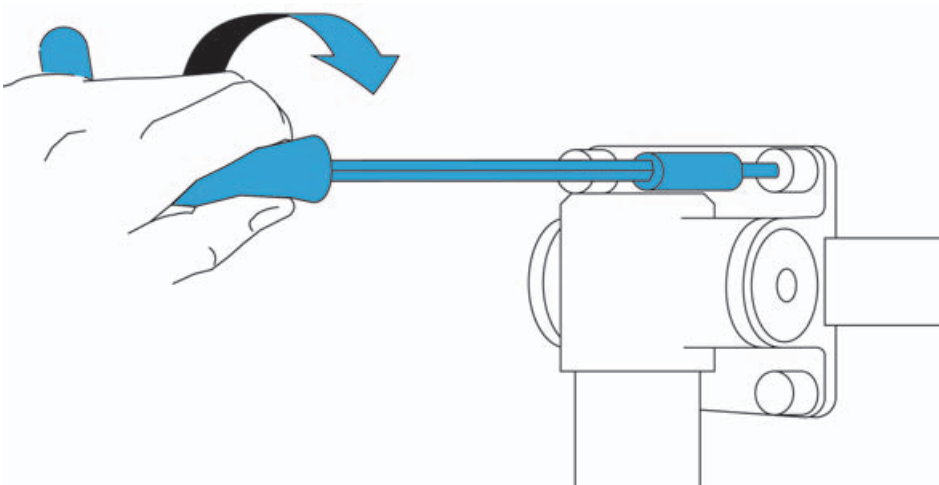
- 2 Sett baksiden av systemet på festeplaten.



- 3 Vri de fire sikrede festeskrueene for hånd med klokken, i hullene på baksiden av systemet, til systemet sitter godt fast.



- 4 Stram til skruene med en stjerneskrutrekker.



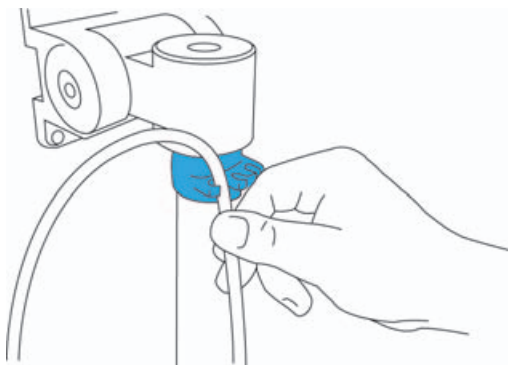
Stativet leveres med en skrutrekker og en stjernebit.

Koble til AC-strøm

- ❖ Koble til følgende ledninger:
 - ▶ DC-strømledning
 - ▶ Systemets AC-strømledning

Koble ledningene til ledningsbraketten

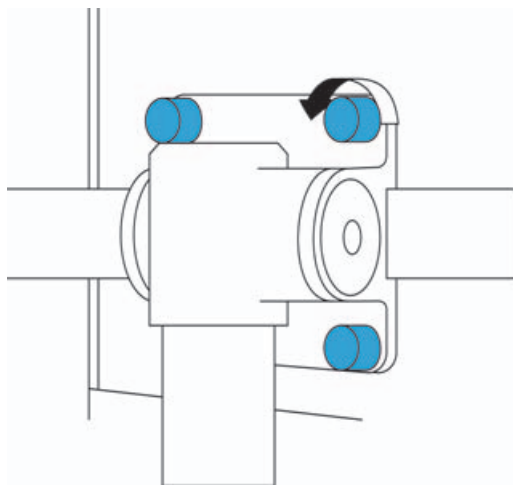
- ❖ Fest ledningene til de passende sporene i ledningsbraketten.



Ta ut ultralydsystemet

ADVARSEL! For å unngå fare for personskade eller skade på ultralydsystemet må vekten av ultralydsystemet alltid støttes når det skal løsnes og tas ut av stativet.

- 1 Støtt ultralydsystemet slik at det ikke faller når det har løsnet.
- 2 Vri skruen mot klokken i hvert av de fire hjørnene på festeplaten. Bruk en stjerneskrutrekker om nødvendig.



- 3 Ta ut systemet fra stativet.

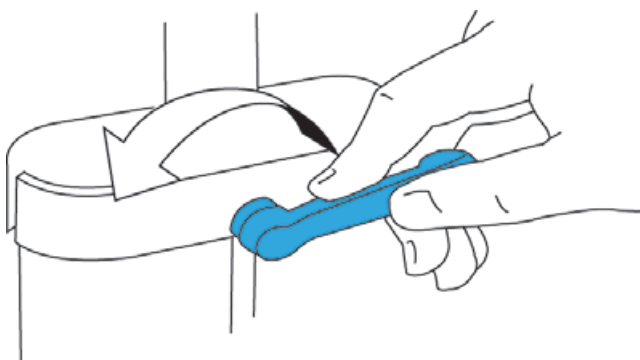
Systemet løfter opp de to pinnene på festeplaten.

Justere høyde og vinkel på stativet

Heve eller senke ultralydsystemet

- 1 Lås to eller flere av hjulene.
- 2 Sørg for at området over søylen er tomt.
- 3 Løsne høydejusteringsspaken ved å vri den mot klokken.

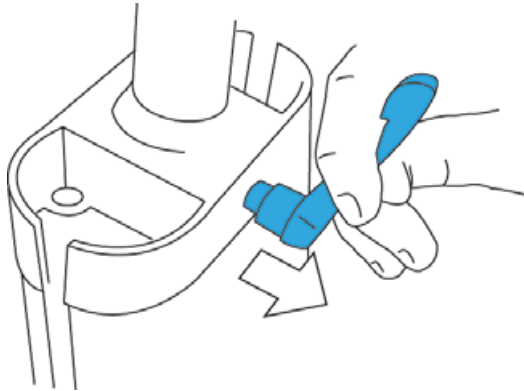
Stangen er fjærbelastet, og systemet vil heve seg fra søylen automatisk, med mindre den allerede står på høyeste punkt.



- 4 Hev eller senk systemet til ønsket høyde, og stram deretter til høydejusteringsspaken ved å vri den med klokken.

Forsiktig: Når du senker stangen, må du unngå å gripe i stativfoten. Hud kan sette seg fast og klemmes i mellomrommet.

Hvis du ikke kan rotere høydejusteringsspaken pga. en hindring (f.eks. hvis ultralydssystemet eller tilbehør står i veien), kan du justere spaken ved å dra den utover, vri den til ønsket posisjon og deretter friggi den.



Justere systemvinkelen

- 1 Lås to eller flere av hjulene.
- 2 Ta tak i håndtaket foran på ultralydssystemet, og vipp deretter systemet og roter det til ønsket vinkel.

Flytte og låse stativet

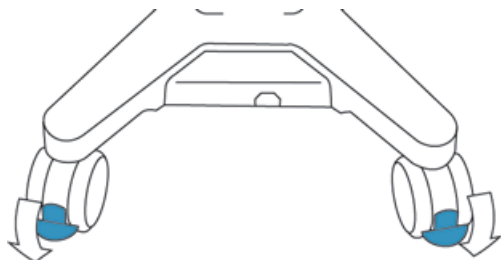
Slik kan du unngå skader på personer og utstyr som kan oppstå hvis stativet velter:

ADVARSLER:

- ▶ Juster høyden på systemet til lavest mulig innstilling før systemet flyttes.
- ▶ Flytt stativet ved å dytte brettenheten. Ikke dytt eller dra stativet ved hjelp av håndtaket foran på SonoSite SII-ultralydsystemet.
- ▶ Ikke bruk for stor kraft ved flytting av stativet.

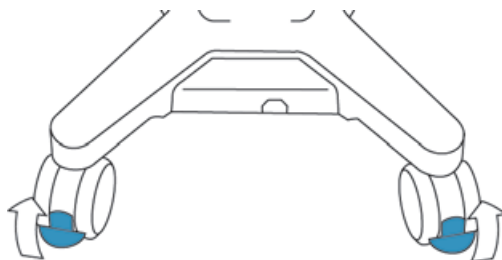
Låse stativet

- ❖ Slå ned låsespaken på hvert av hjulene.



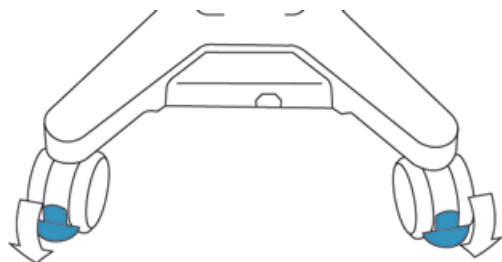
Flytte stativet

- 1 Lås opp hjulene ved å løfte opp låsespaken for hvert hjul.



- 2 Ta godt tak i stativets brettenhet, og flytt stativet til det nye stedet.

3 Når stativet er flyttet, må minst to av hjulene låses ved å slå ned låsespakene.



Feilsøking

Problem	Løsning
Skriveren skriver ikke ut.	<ul style="list-style-type: none">▶ Se skrivervalget på siden for Connectivity (Tilkobling). Se <i>SonoSite S11 brukerhåndboken</i> for mer informasjon.▶ Kontroller alle kabeltilkoblingene. Se <i>SonoSite S11 brukerhåndboken for stativet</i> for mer informasjon.▶ Påse at skriveren er slått på og riktig konfigurert. Følg eventuelt skriverprodusentens anvisninger.
Stativet velter lettere enn forventet.	<ul style="list-style-type: none">▶ Senk stangen for å senke ultralydssystemet og brettet (ekstrautstyr).▶ Ikke plasser eller heng tunge gjenstander på stativet. For mye vekt på stativet kan gjøre stativet mindre stabilt.

Rengjøring og desinfisering

ADVARSLER:

- ▶ Unngå elektrisk støt eller skade på systemet ved alltid å koble systemet fra strømforsyningen før rengjøring.
- ▶ Bruk alltid vernebriller og hansker ved rengjøring og desinfisering for å unngå personskade.
- ▶ Unngå infeksjon ved å påse at middelet ikke er utgått på dato.
- ▶ Hvilket desinfeksjonsnivå som kreves av et produkt for å unngå infeksjon, avhenger av typen vev det kommer i kontakt med under bruk. Kontroller at styrken på middelet samt virketid passer for utstyret. Mer informasjon finnes i anvisningene på etiketten til desinfiseringsmiddelet og anbefalingene til APIC (Association for Professionals in Infection Control and Epidemiology) og FDA (Food and Drug Administration).

Forsiktig:

Bruk bare anbefalte rengjørings- og desinfiseringsmidler på overflatene. Desinfiseringsmidler som er beregnet på nedsenking av utstyret, er ikke testet for bruk på overflater.

Rengjøre og desinfisere stativet

Du kan rengjøre og desinfisere de utvendige flatene på stativet ved hjelp av et anbefalt rengjørings- eller desinfeksjonsmiddel. Den mest oppdaterte listen over godkjente produkter finner du på www.sonosite.com.

- 1 Slå av ultralydsystemet og alt tilbehør. Koble systemet og tilbehør fra vekselstrøm.

2 Rengjør stativoverflatene for å fjerne smuss og kroppsvæsker. Bruk følgende prosedyre:

- a** Bruk enten en forhåndsfuktet serviett eller en myk klut fuktet med rengjørings- eller desinfiseringsmiddel.

Rengjøringsmidler og desinfiseringsmidler som er godkjent for stativet

Rengjøringsmiddel/desinfiseringsmiddel	Minste kontakttid ¹
SaniCloth AF3 (grå topp) ²	3 minutter
SaniCloth Plus (rød topp)	3 minutter
PI-Spray II	20 minutter

¹ Maksimal effekt oppnås hvis komponenten som skal rengjøres, er fuktet med desinfiseringsmiddel i en bestemt tidsperiode.

² Egnert for bruk som et desinfiseringsmiddel på mellomnivå for mykobakterier. En mer fullstendig liste finnes i dokumentet for rengjørings- og desinfiseringsmidler på www.sonosite.com

- b** Fjern all gel, alt smuss og alle kroppsvæsker fra stativet.
- c** Bruk en ny serviett, og rengjør alle deler av stativet ved å tørke fra rene områder til skitne områder. Denne metoden bidrar til å forhindre krysskontaminering.
- d** Overhold minstetiden for kontakttid. Følg med på stativdelene for å se om de er fuktige. Påfør middelet med en ny serviett hvis det ikke lenger er vått.

3 La stativet lufttørke på et rent sted med god ventilasjon.

Se produsentens instruksjoner for informasjon om rengjøring av eksternt utstyr.

Sikkerhet

Overhold følgende advarsler og forsiktighetsregler før du bruker tilbehør og eksterne enheter med SonoSite SII ultralydssystem og transduserne, for å oppnå maksimal sikkerhet.

Elektrisk sikkerhet

Slik unngår du risiko for elektrisk støt og brann:

- ▶ Ikke koble strømledningen til SonoSite SII-stativet til et grenuttak, og bruk ikke skjøteledning.
- ▶ Bruk kun forskriftsmessig jordet utstyr. Det foreligger fare for elektrisk støt hvis strømforsyningen ikke er forskriftsmessig jordet. Forskriftsmessig jording kan bare oppnås når utstyret er tilkoblet en stikkontakt merket "Bare for sykehus" eller "Sykehuskvalitet" eller tilsvarende. Jordledningen skal ikke fjernes eller kobles forbi.
- ▶ Ikke koble til flere enn én ekstern enhet om gangen.
- ▶ Kontroller strømforsyning, kontakter, kabler og strømledninger regelmessig for å unngå skader.
- ▶ Bruk bare tilbehør og eksterne enheter som er anbefalt av FUJIFILM SonoSite, inkludert strømforsyning. Tilkobling av tilbehør og eksterne enheter som ikke anbefales av FUJIFILM SonoSite, kan føre til elektrisk støt. Ta kontakt med FUJIFILM SonoSite eller den lokale representanten hvis du ønsker en liste over tilbehør og eksterne enheter som leveres eller anbefales av FUJIFILM SonoSite.

ADVARSLER:

Utstyrssikkerhet

ADVARSEL!

Bruk alltid håndtaket foran på ultralydssystemet for å unngå velt og risiko for personskader eller andre skader.

Forsiktig:

- ▶ Overdreven bøyning eller vridning av kabler kan forårsake feil eller ujevn drift.
- ▶ Feil rengjøring eller desinfisering av noen som helst deler av tilbehøret og de eksterne enhetene kan forårsake varig skade. Rengjørings- og desinfiseringsanvisninger finner du i «**Rengjøring og desinfisering**» på side 117 og i produsentens bruksanvisning.
- ▶ Bruk kun eksterne enheter som er anbefalt av FUJIFILM SonoSite.
- ▶ Tilgjengelig metall på signalinngangene og -utgangene på baksiden og siden av ultralydssystemet er ikke jordet. Ikke utfør testing av jordingsimpedans med sterk strøm med denne delen.

Klinisk sikkerhet











ADVARSEL!





For å unngå feildiagnose må du ikke bruke eksterne skjermer (kommersielle) som ikke er av medisinsk kvalitet. Disse skjermene er ikke kontrollert eller godkjent av FUJIFILM SonoSite som egnet for å stille diagnoser.

Elektromagnetisk kompatibilitet (EMC)

Se sikkerhetsavsnittet i brukerveiledningen for ultralydssystemet og supplerende veiledninger for å få informasjon om elektromagnetisk kompatibilitet med IEC 60601-1-2, inkludert produsenterklæringen.

Merkesymboler

Symbol	Definisjon
	Festet på utstyr i klasse 1 som krever godkjenning av akkreditert kontrollorgan for steriliserings- eller målefunksjoner, eller på enheter i klasse IIa, IIb eller III som krever godkjenning eller revisjon av akkreditert kontrollorgan for aktuelle tillegg av 93/42/EØF.
	Gjenvunnet bølgepapp
	Farlig spenning
	Produksjonsdato
	Likestrøm (DC)
	Må ikke bli vått
	Skal ikke stables med mer enn 2 i høyden
	Skal ikke stables med mer enn 5 i høyden
	Skal ikke stables med mer enn 10 i høyden
	Knusbart

Symbol	Definisjon
	Gjenvunnet papir
	Unngå velt ved å ikke flytte systemet etter håndtaket foran på SonoSite SII-ultralydsystemet.
	Når systemet skal flyttes, skal stativet skyves ved hjelp av brettet.
	Maks. vektbelastning
<p>WARNING: Connect Only Accessories and Peripherals Recommended by FUJIFILM SonoSite</p>	<p>ADVARSEL! Kun tilkobling av tilbehør og eksterne enheter anbefalt av FUJIFILM SonoSite</p>

Spesifikasjoner

Se produsentens spesifikasjoner for informasjon om eksternt utstyr.

Stativmål

- ▶ Bredde: 51 cm
- ▶ Lengde: 59 cm
- ▶ Høyde: 138,5 cm maks., 108 cm min.
- ▶ Høydeområde: 30,5 cm
- ▶ Sikker arbeidsbelastning per beholder: 5 kg

- ▶ Vekt:
 - ▶ 16,8 kg
 - ▶ 45 kg maks. totalvekt med system og tilbehør.

Grenseverdier for temperatur og luftfuktighet

Drift: 10–40 °C, 15–95 % relativ luftfuktighet

Transport/oppbevaring: -35–65 °C, 15–95 % relativ luftfuktighet

Eksterne enheter

- ▶ Skriver

Les *monteringsinstruksjoner for skriver* for informasjon om installering og oppsett av skriver. Kontakt Sony på +1-800-686-7669 eller www.sony.com/professional for å bestille utstyr eller finne en lokal distributør.

- ▶ Oppbevaringsbeholder
- ▶ AC-ledningsholder
- ▶ Gel-flaskeholder
- ▶ Brett og skuff
- ▶ Ledningsbrakett

FUJIFILM
Value from Innovation

SonoSite

P20557-01

