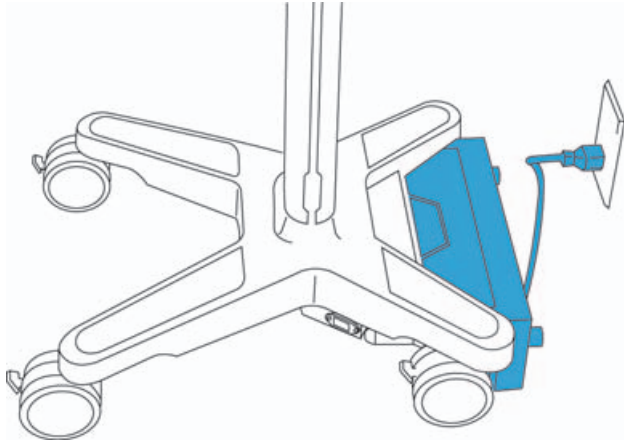


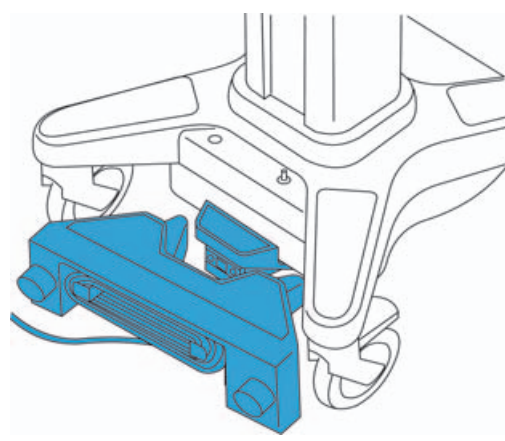
# Assembly Instructions

## Introduction

The PowerPark docking station includes the dock and stand modules. You can use one dock with multiple stand modules, or one stand module with multiple docks. The PowerPark components are used with the SonoSite X-Porte stand, SonoSite SII stand, the H-Universal stand, V-Universal stand, and SonoSite Edge stand.



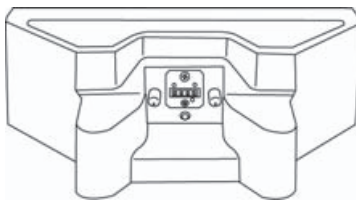
PowerPark docking station connected to SonoSite SII stand, H-Universal stand, V-Universal stand, or SonoSite Edge stand.



PowerPark docking station connected to SonoSite X-Porte stand.

## Unpacking the box

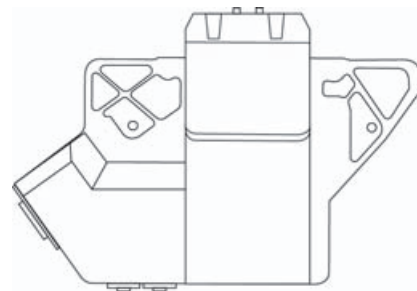
Dock (1)



Power cord (1)



Stand module (1)



M5x20mm screws (2)



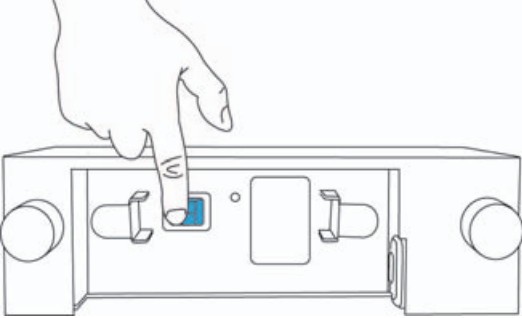
Screwdriver (1)



# Setting up the dock (for all stands)

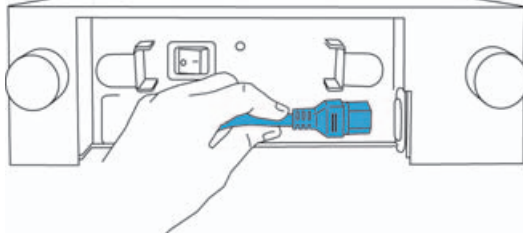
## STEP 1

Check that the circuit breaker on the back of the dock is set to the **OFF** (O) position.



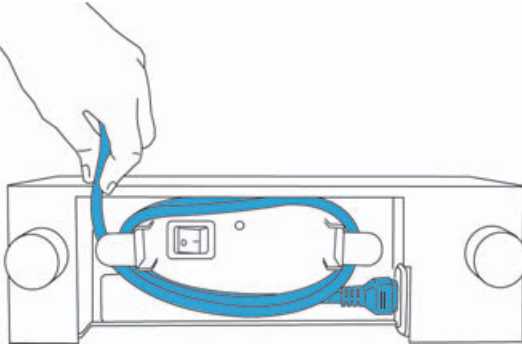
## STEP 2

On the back of the dock, connect the power cord.



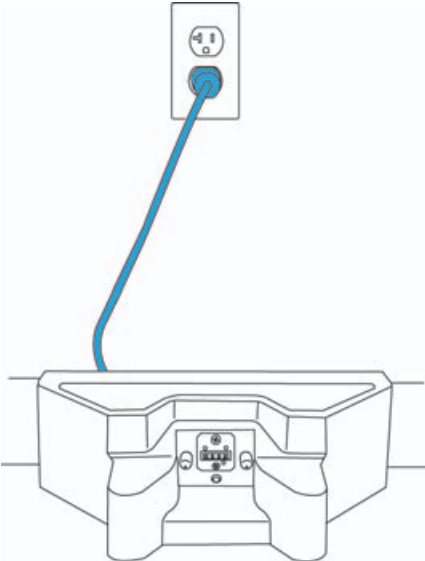
## STEP 3

Wrap the excess cord around the hooks on the back of the dock, ensuring that the power cord remains plugged in.



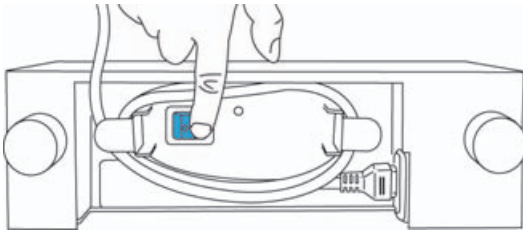
## STEP 4

Position the dock on the floor against a wall, and connect the power cord to a wall outlet.



## STEP 5

Set the circuit breaker to the **ON** (|) position.



# Attaching the stand module to the SonoSite X-Porte ultrasound system

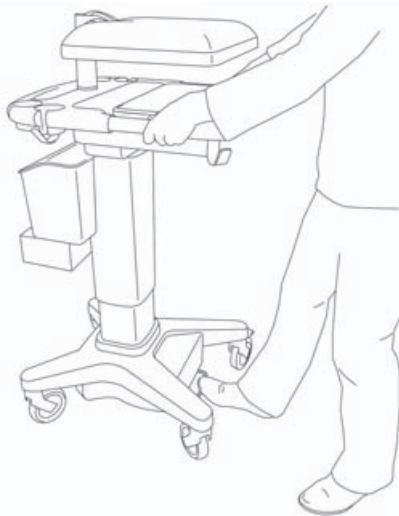
**WARNING** We recommend keeping the SonoSite X-Porte system upright and installing the stand-mounted module from underneath. Tipping the system can cause injury.

**Note** This procedure applies only to PowerPark docking stations purchased as an accessory to an existing SonoSite X-Porte system. PowerPark stations purchased at the time of a SonoSite X-Porte system purchase are installed at the factory.

## STEP 1

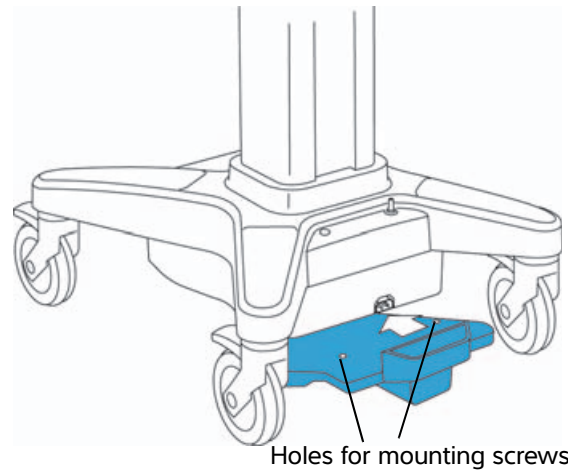
Prepare the system:

- ▶ Turn the system off, and disconnect it from the AC power.
- ▶ Lock all four wheels.
- ▶ Lower the system to its lowest height.



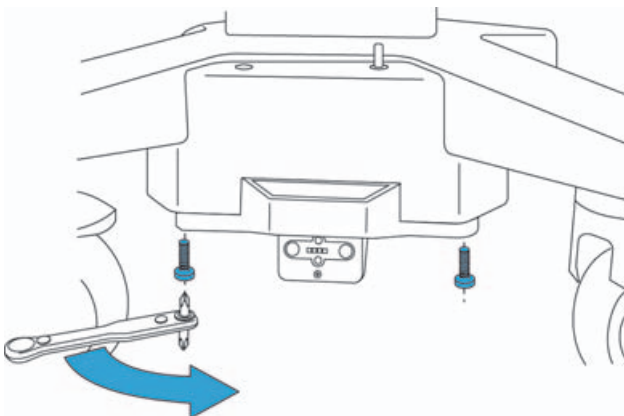
## STEP 2

Push the stand module firmly into the stand, making sure the connector on the stand aligns with the connector on the stand module.



## STEP 3

Secure the stand module to the bottom of the SonoSite X-Porte stand with two screws (included). The screws are self-locking and may be difficult to turn by hand. Tighten the screws with the screwdriver (included).

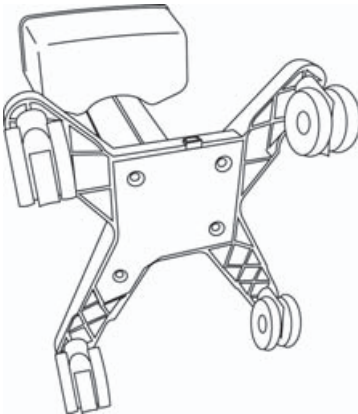


# Attaching the stand module to H-Universal, V-universal, SonoSite Edge, and SonoSite SII stands

## STEP 1

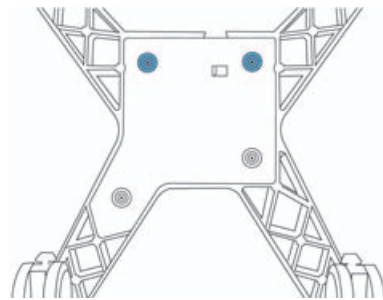
Prepare the stand:

- ▶ Remove the ultrasound system from the stand.
- ▶ Press down the locking lever on each wheel.
- ▶ Lay the stand down, allowing access to the underside.



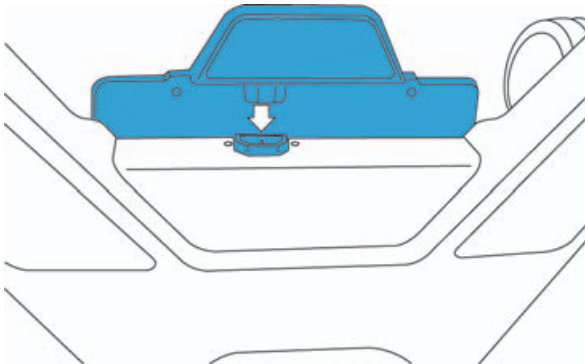
## STEP 2

Remove the two rear screws from the underside of the stand.



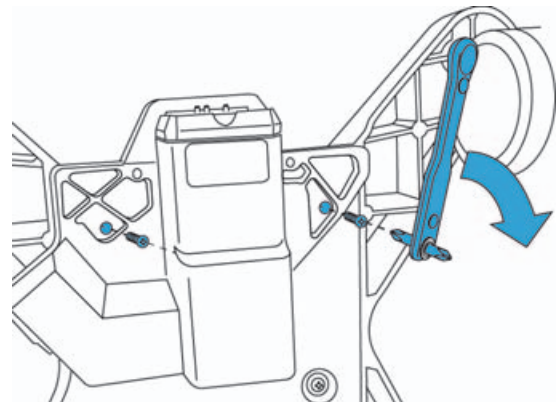
## STEP 3

Insert the black connector into the port at the back of the stand base.



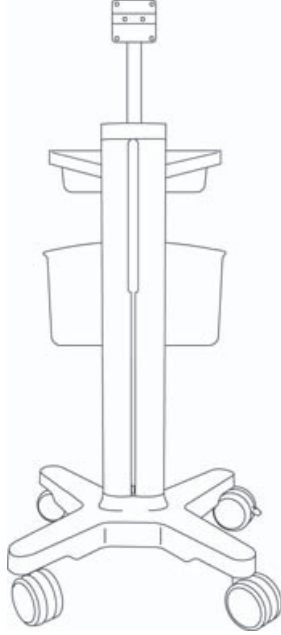
## STEP 4

Insert the two M5x20mm screws, and tighten them with the screwdriver (included).



## STEP 5

Set the stand upright.



**Caution** | Federal (United States) law restricts this device to sale by or on the order of a physician.

PowerPark, SonoSite, and the SonoSite logo are trademarks or registered trademarks of FUJIFILM SonoSite, Inc. in various jurisdictions. Value from Innovation is a trademark of FUJIFILM Holdings America Corporation.

All other trademarks are the property of their respective owners.

Patents: US 8,398,408; US 7,591,786; US D625014; and US D625015.

Published August 2016

Copyright © 2016 FUJIFILM SonoSite, Inc. All rights reserved.

**Manufacturer**

FUJIFILM SonoSite, Inc.  
21919 30th Drive SE  
Bothell, WA 98021 USA  
T: 1-888-482-9449 or 1-425-951-1200  
F: 1-425-951-1201

**EC Authorized Representative**

Emergo Europe  
Molenstraat 15  
2513 BH, The Hague  
The Netherlands

**Australia Sponsor**

FUJIFILM SonoSite  
Australasia Pty Ltd  
114 Old Pittwater Road  
BROOKVALE, NSW, 2100  
Australia



P13406-03

