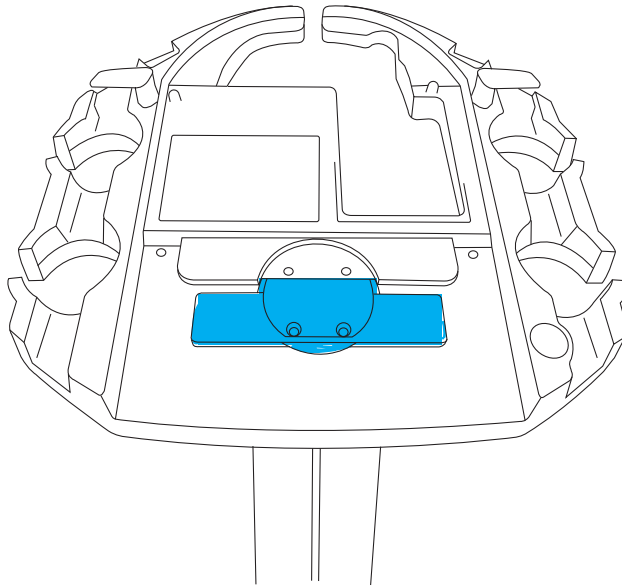


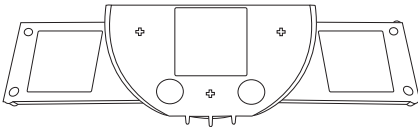
# SonoSite M-Turbo Mini-Dock Stabilizer Assembly Instructions

Attach the SonoSite M-Turbo mini-dock stabilizer to the H-Universal stand head.  
The part allows secure attachment of the SonoSite M-Turbo mini-dock to the stand head.

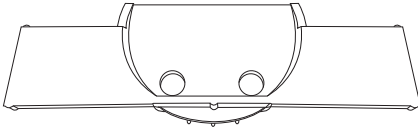


# Unpacking the box

Stabilizer, bottom view



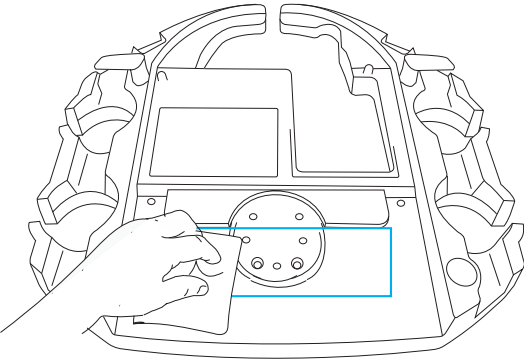
Stabilizer, top view



# Attaching the stabilizer to the stand head

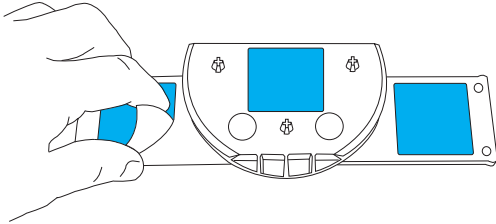
## STEP 1

Clean the indicated area on the H-Universal stand head using a damp cloth, and let dry.



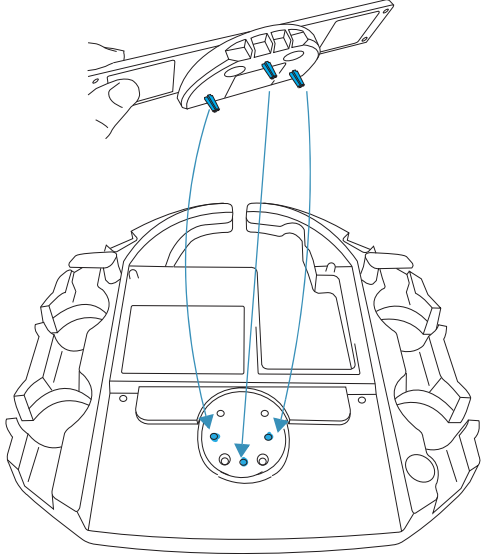
## STEP 2

Remove the backing from the adhesive tape on the stabilizer.



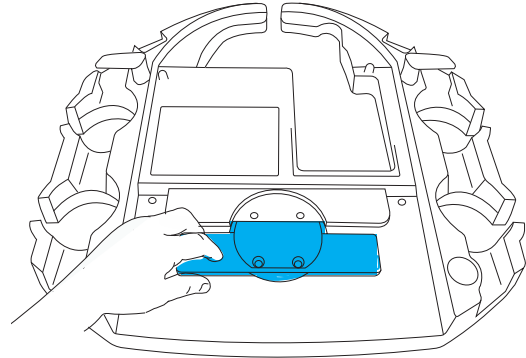
### STEP 3

Align the three pegs on the stabilizer with the holes on the H-Universal stand head.



### STEP 4

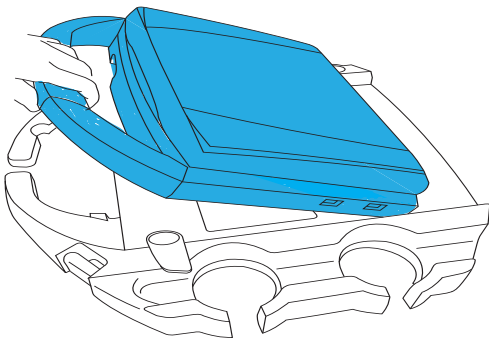
Push the stabilizer down firmly onto the stand head.



## Inserting the system and mini-dock

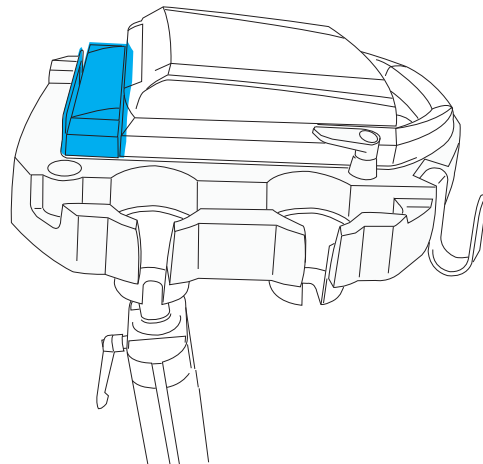
### STEP 5

Insert the system into the stand head.



### STEP 6

Attach the mini-dock to the system and stand head. The mini-dock should sit firmly into the stabilizer.



**Caution**

Federal (United States) law restricts this device to sale by or on the order of a physician.

SonoSite M-Turbo, SonoSite, and the SonoSite logo are trademarks or registered trademarks of FUJIFILM SonoSite, Inc. in various jurisdictions. Value from Innovation is a trademark of FUJIFILM Holdings America Corporation.

All other trademarks are the property of their respective owners.

Published April 2016

Copyright © 2016 FUJIFILM SonoSite, Inc. All rights reserved.]

**Manufacturer**

FUJIFILM SonoSite, Inc.  
21919 30th Drive SE  
Bothell, WA 98021 USA  
T: 1-888-482-9449 or 1-425-951-1200  
F: 1-425-951-1201

**EC Authorized Representative**

Emergo Europe  
Molenstraat 15  
2513 BH, The Hague  
The Netherlands

**Australia Sponsor**

FUJIFILM SonoSite  
Australasia Pty Ltd  
114 Old Pittwater Road  
BROOKVALE, NSW, 2100  
Australia



P19443-01

